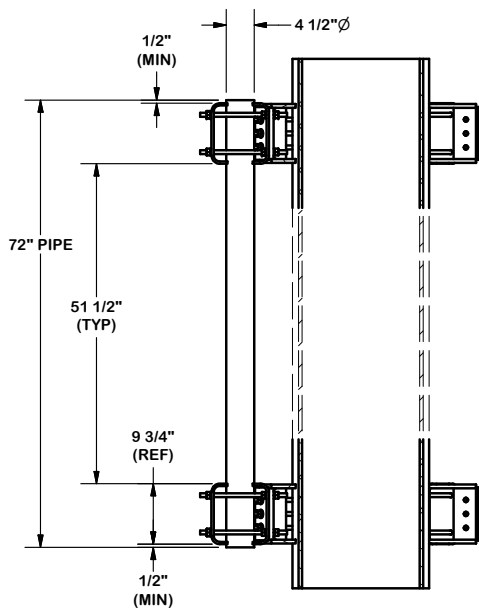
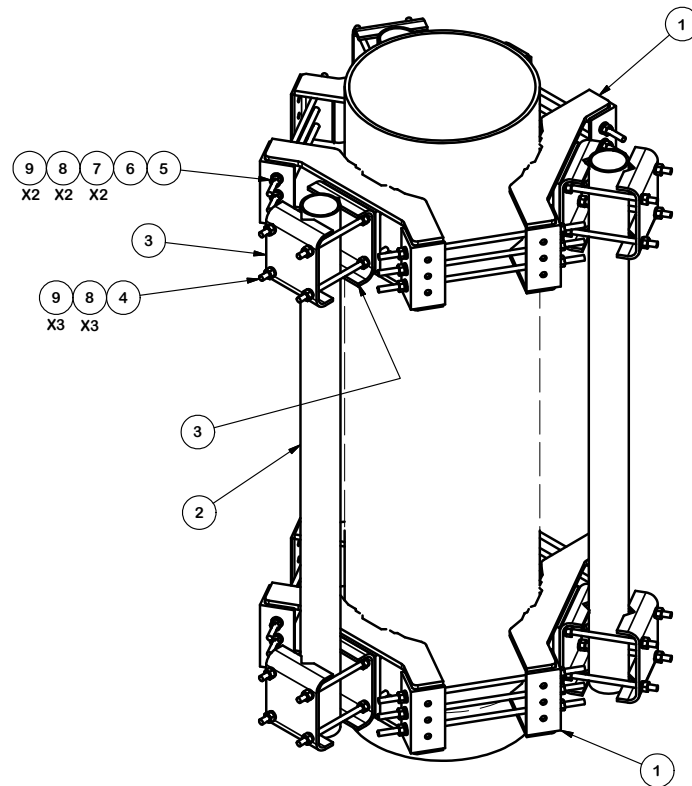


FOR POLES 12" TO 45" DIA.



SECTION A-A

PARTS LIST						
ITEM	QTY	PART NO.	PART DESCRIPTION	LENGTH	UNIT WT.	NET WT
1	6	X-LWRM	RING MOUNT WELDMNT		68.16	408.96
2	3	P472	4-1/2" X 72" SCH. 40 GALVANIZED PIPE	72 in	64.89	194.68
3	12	X-214130	BENT PLATE V-CLAMP	12 5/8 in	11.43	137.16
4	24	G58R-14	5/8" x 14" THREADED ROD (HDG.)	14 in	0.40	9.57
5	18	G58R-48	5/8" x 48" THREADED ROD (HDG.)	48 in	.55	9.90
6	18	G58R-24	5/8" x 24" THREADED ROD (HDG.)	24 in	.55	9.90
7	36	A58FW	5/8" HDG A325 FLATWASHER		.03	1.08
8	108	G58LW	5/8" HDG LOCKWASHER		0.03	3.24
9	108	A58NUT	5/8" HDG A325 HEX NUT		0.13	14.04
TOTAL WT. #						788.53



TOLERANCE NOTES

TOLERANCES ON DIMENSIONS, UNLESS OTHERWISE NOTED ARE:
 SAWED, SHEARED AND GAS CUT EDGES ($\pm 0.030"$)
 DRILLED AND GAS CUT HOLES ($\pm 0.030"$) - NO CONING OF HOLES
 LASER CUT EDGES AND HOLES ($\pm 0.010"$) - NO CONING OF HOLES
 BENDS ARE $\pm 1/2$ DEGREE
 ALL OTHER MACHINING ($\pm 0.030"$)
 ALL OTHER ASSEMBLY ($\pm 0.060"$)

PROPRIETARY NOTE:
 THE DATA AND TECHNIQUES CONTAINED IN THIS DRAWING ARE PROPRIETARY INFORMATION OF VALMONT INDUSTRIES AND CONSIDERED A TRADE SECRET. ANY USE OR DISCLOSURE WITHOUT THE CONSENT OF VALMONT INDUSTRIES IS STRICTLY PROHIBITED.

DESCRIPTION
MONOPOLE SECTOR FRAME ATTACHMENT ASSEMBLY

SITE PRO 1
 A valmont COMPANY
 Engineering Support Team:
 1-888-753-7446
 Locations:
 New York, NY
 Atlanta, GA
 Los Angeles, CA
 Plymouth, IN
 Salem, OR
 Dallas, TX

CPD NO.	DRAWN BY	ENG. APPROVAL
	KC8 3/18/2016	3RD PARTY
CLASS	DRAWING USAGE	CHECKED BY
01	CUSTOMER	BMC 5/2/2016

PART NO.	MSFAA
DWG. NO.	MSFAA