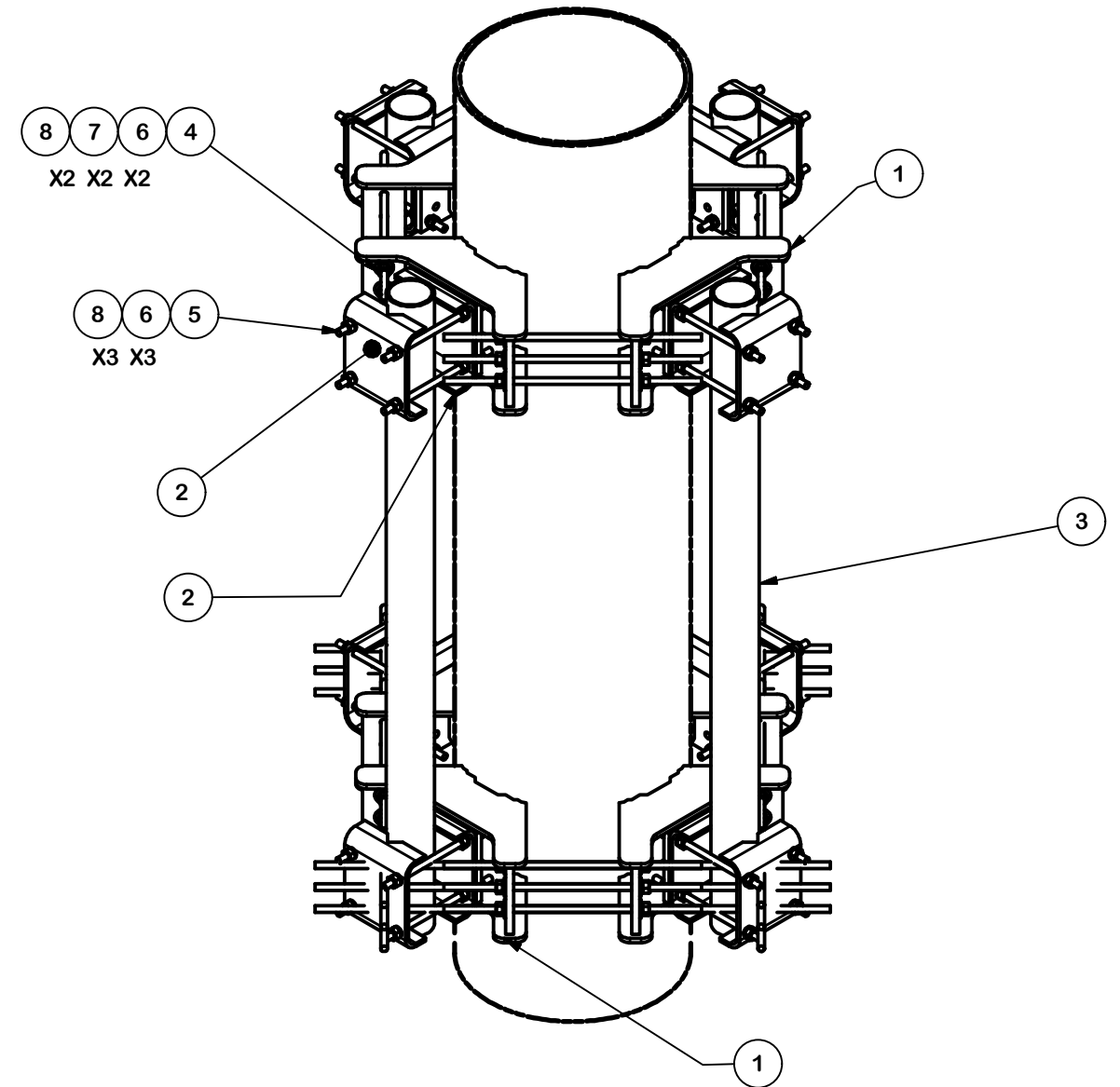


PARTS LIST						
ITEM	QTY	PART NO.	PART DESCRIPTION	LENGTH	UNIT WT.	NET WT.
1	8	X-UQB4	QUAD BRACKET WELDMENT		61.57	492.54
2	16	X-214130	BENT PLATE V-CLAMP	12 5/8 in	11.43	182.88
3	4	P472	4-1/2" X 72" SCH. 40 GALVANIZED PIPE	72 in	64.81	259.25
4	12	G58R-48	5/8" X 48" THREADED ROD (HDG.)		4.43	53.19
4	24	G58R-24	5/8" X 24" THREADED ROD (HDG.)		2.22	53.19
5	32	G58R-14	5/8" x 14" THREADED ROD (HDG.)		1.22	39.03
6	48	G58FW	5/8" HDG USS FLATWASHER	1/8 in	0.07	3.38
7	144	G58LW	5/8" HDG LOCKWASHER		0.03	3.76
8	144	A58NUT	5/8" HDG A325 HEX NUT		0.13	18.70
TOTAL WT. #						1105.92



TOLERANCE NOTES

TOLERANCES ON DIMENSIONS, UNLESS OTHERWISE NOTED ARE:
 SAWED, SHEARED AND GAS CUT EDGES ($\pm 0.030"$)
 DRILLED AND GAS CUT HOLES ($\pm 0.030"$) - NO CONING OF HOLES
 LASER CUT EDGES AND HOLES ($\pm 0.010"$) - NO CONING OF HOLES
 BENDS AND ANGLES ARE $\pm 1/2$ DEGREE
 ALL OTHER MACHINING ($\pm 0.030"$)
 ALL OTHER ASSEMBLY ($\pm 0.060"$)

PROPRIETARY NOTE:
 THE DATA AND TECHNIQUES CONTAINED IN THIS DRAWING ARE PROPRIETARY INFORMATION OF VALMONT INDUSTRIES AND CONSIDERED A TRADE SECRET. ANY USE OR DISCLOSURE WITHOUT THE CONSENT OF VALMONT INDUSTRIES IS STRICTLY PROHIBITED.

DESCRIPTION
MONOPOLE QUAD SECTOR FRAME ATTACHEMENT ASSEMBLY

SITE PRO 1
 A valmont COMPANY
 Engineering Support Team:
 1-888-753-7446
 Locations:
 New York, NY
 Atlanta, GA
 Los Angeles, CA
 Plymouth, IN
 Salem, OR
 Dallas, TX
 Tampa, FL

CPD NO. DRAWN BY JET 8/7/2019 ENG. APPROVAL 8/8/2019

PART NO. **MSFAA-Q**

CLASS 01 SUB 01 DRAWING USAGE CUSTOMER CHECKED BY BMC 8/8/2019

DWG. NO. **MSFAA-Q**