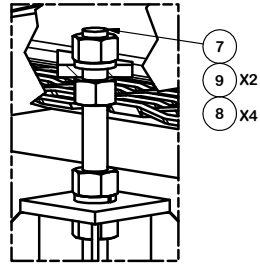
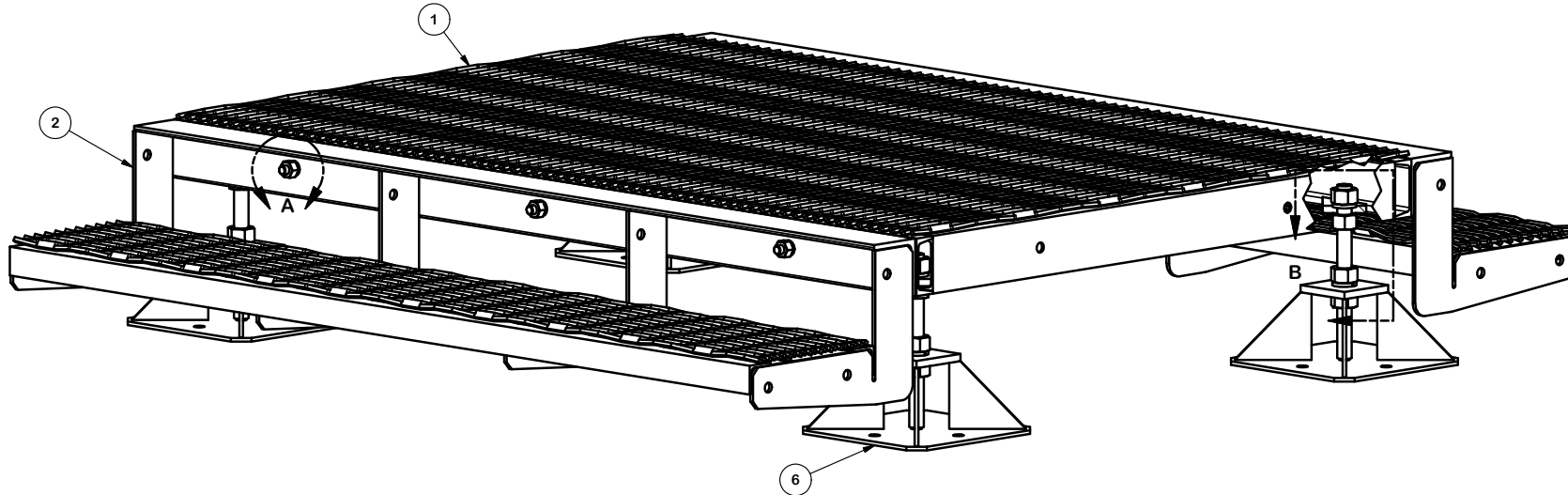


DETAIL A



DETAIL B



PARTS LIST

ITEM	QTY	PART NO.	PART DESCRIPTION	LENGTH	UNIT WT.	NET WT.
1	1	X-MEP46	4' X 6' MODULAR EQUIPMENT RACK BASE		289.22	289.22
2	2	X-MS1FE6	6' MODULAR STEP FOR FIRE EGRESS		147.89	295.78
3	6	G58134	5/8" x 1-3/4" HDG BOLT	1 3/4 in	0.27	1.61
4	6	G58LW	5/8" HDG LOCKWASHER		0.03	0.16
5	6	G58NUT	5/8" HDG HEAVY 2H HEX NUT		0.13	0.78
6	4	X-MPADS	1' SQAURE MODULAR PLATFORM FOOTPAD		17.50	70.01
7	4	G1R-12	1" x 12" THREADED ROD (HDG.)	12 in	2.68	10.71
8	16	G1NUT	1" HDG HEAVY HEX NUT		0.47	7.53
9	8	G1LW	1" LOCK WASHER		0.09	0.76
					TOTAL WT. #	676.54

TOLERANCE NOTES

TOLERANCES ON DIMENSIONS, UNLESS OTHERWISE NOTED ARE:
 SAWED, SHEARED AND GAS CUT EDGES ($\pm 0.030"$)
 DRILLED AND GAS CUT HOLES ($\pm 0.030"$) - NO CONING OF HOLES
 LASER CUT EDGES AND HOLES ($\pm 0.010"$) - NO CONING OF HOLES
 BENDS ARE $\pm 1/2$ DEGREE
 ALL OTHER MACHINING ($\pm 0.030"$)
 ALL OTHER ASSEMBLY ($\pm 0.060"$)

PROPRIETARY NOTE:
 THE DATA AND TECHNIQUES CONTAINED IN THIS DRAWING ARE PROPRIETARY INFORMATION OF VALMONT INDUSTRIES AND CONSIDERED A TRADE SECRET. ANY USE OR DISCLOSURE WITHOUT THE CONSENT OF VALMONT INDUSTRIES IS STRICTLY PROHIBITED.

DESCRIPTION

4' X 6' MODULAR STEP OVER
 WITH SMALL FOOTPADS AND 1 STEP

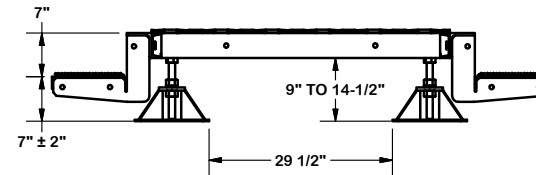
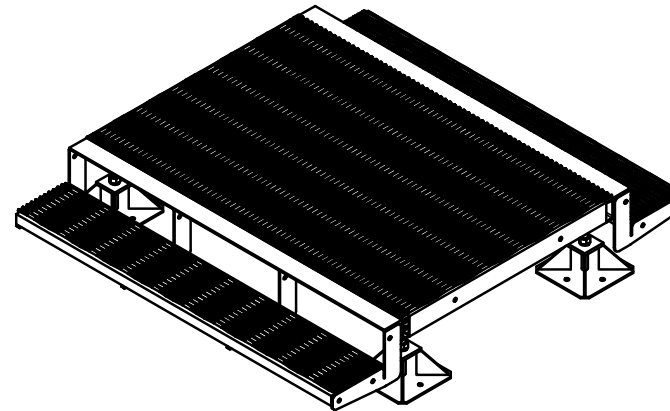
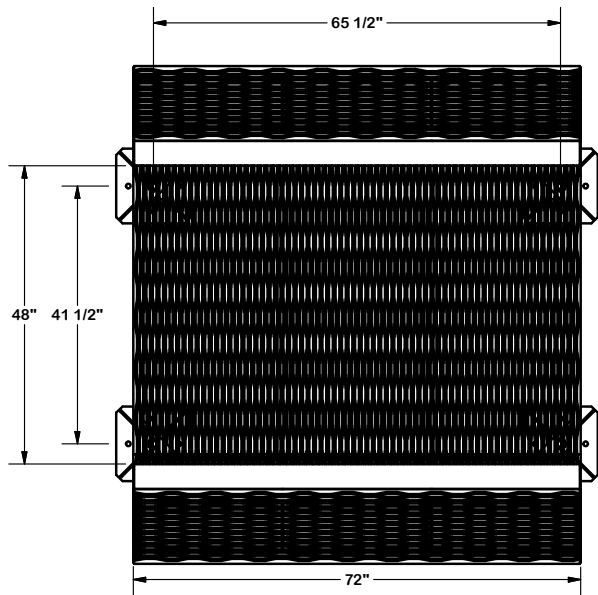


Engineering Support Team:
 1-888-753-7446

Locations:
 New York, NY
 Atlanta, GA
 Los Angeles, CA
 Plymouth, IN
 Salem, OR
 Dallas, TX

CPD NO.	DRAWN BY	ENG. APPROVAL
81	CEK 12/14/2016	BMC 12/15/2016
CLASS	SUB	DRAWING USAGE
81	02	CUSTOMER

PART NO.	MSO46-6SLS1
DWG. NO.	MSO46-6SLS1



TOLERANCE NOTES

TOLERANCES ON DIMENSIONS, UNLESS OTHERWISE NOTED ARE:
 SAWED, SHEARED AND GAS CUT EDGES (± 0.030 ")
 DRILLED AND GAS CUT HOLES (± 0.030 ") - NO CONING OF HOLES
 LASER CUT EDGES AND HOLES (± 0.010 ") - NO CONING OF HOLES
 BENDS ARE $\pm 1/2$ DEGREE
 ALL OTHER MACHINING (± 0.030 ")
 ALL OTHER ASSEMBLY (± 0.060 ")

PROPRIETARY NOTE:
 THE DATA AND TECHNIQUES CONTAINED IN THIS DRAWING ARE PROPRIETARY INFORMATION OF VALMONT INDUSTRIES AND CONSIDERED A TRADE SECRET. ANY USE OR DISCLOSURE WITHOUT THE CONSENT OF VALMONT INDUSTRIES IS STRICTLY PROHIBITED.

DESCRIPTION

4' X 6' MODULAR STEP OVER
 WITH SMALL FOOTPADS AND 1 STEP

CPD NO.	DRAWN BY	ENG. APPROVAL
CLASS	DRAWING USAGE	CHECKED BY
81	02	BMC 12/15/2016
	CUSTOMER	



Engineering
 Support Team:
 1-888-753-7446

Locations:
 New York, NY
 Atlanta, GA
 Los Angeles, CA
 Plymouth, IN
 Salem, OR
 Dallas, TX

PART NO.	MSO46-6SLS1	PAGE
DWG. NO.	MSO46-6SLS1	2 OF 2