

PARTS LIST						
ITEM	QTY	PART NO.	PART DESCRIPTION	LENGTH	UNIT WT.	NET WT.
1	1	X-MEP48	4' X 8' WELDED EQUIPMENT RACK BASE		377.38	377.38
2	4	X-MRAIL4	4' HANDRAIL WELDMENT FOR MODULAR EQUIPMENT PLATFORM		60.49	241.94
3	2	X-MAW	MODULAR EQUIPMENT PLATFORM ACCESS WELDMENT		53.54	107.07
4	2	X-MSWS	WELDED STEP FOR 1 LEVEL MODULAR STEP		52.77	105.53
5	2	X-MSTEP	STAIR WELDMENT FOR MODULAR EQUIPMENT PLATFORM		37.92	75.85
6	4	X-MSH2	MODULAR HANRAIL FOR TWO STAIRS		10.53	42.11
7	4	X-MSTEP2MR	MID RAIL FOR MSTEP2	35 1/4 in	10.14	40.58
8	4	X-MSHUP	HANDRAIL WELDMENT		12.25	48.98
9	8	X-MSHSP	HANDRAIL SPACER PIPE	1 in	0.10	0.80
10	2	X-MTRS	MODULAR TOP RAIL STRAIGHT SPLICE		1.88	3.76
11	4	X-MKPS	MODULAR KICKER PLATE STRAIGHT SPLICE	6 5/16 in	1.86	7.44
12	8	X-MS2A	SIDE ANGLE FOR TWO STAIR ASSEMBLY	15 1/4 in	3.20	25.60
13	8	X-MTRC	MODULAR TOP RAIL CORNER SPLICE		1.25	10.03
14	8	X-MKPC	MODULAR KICKER PLATE CORNER SPLICE	4 in	1.66	13.25
15	4	X-MJCP	MJACK CONNECTION PLATE	5 3/8 in	5.49	21.98
16	4	X-JACK	5,000 LB. SIDE CRANK JACK		13.37	53.46
17	4	X-MJFP	MODULAR JACK FOOTPAD		14.35	57.38
18	4	G103	1" X 3" HEX BOLT (HDG.)	3 in	1.07	4.29
19	8	G1LW	1" LOCK WASHER		0.09	0.76
20	4	G1NUT	1" HDG HEAVY HEX NUT		0.47	1.88
21	8	A58234	5/8" x 2-3/4" HDG A325 HEX BOLT	2 3/4 in	0.36	2.85
22	68	G58134	5/8" x 1-3/4" HDG BOLT	1 3/4 in	0.27	18.28
23	44	G58FW	5/8" HDG USS FLATWASHER	1/8 in	0.07	3.10
24	76	G58LW	5/8" HDG LOCKWASHER		0.03	1.98
25	76	G58NUT	5/8" HDG HEAVY 2H HEX NUT		0.13	9.87
26	4	G3803	3/8" x 3" HDG HEX BOLT GR5		0.12	0.48
27	12	G38112	3/8" x 1-1/2" HDG HEX BOLT GR5		0.07	0.85
28	24	G38FW	3/8" HDG USS FLATWASHER		0.01	0.28
29	16	G38LW	3/8" HDG LOCKWASHER		0.01	0.11
30	16	G38NUT	3/8" HDG HEAVY 2H HEX NUT		0.03	0.54
					TOTAL WT. #	1278.43

** FOR DETAILS, SEE PAGE 2 **

TOLERANCE NOTES

TOLERANCES ON DIMENSIONS, UNLESS OTHERWISE NOTED ARE:
 SAWED, SHEARED AND GAS CUT EDGES ($\pm 0.030"$)
 DRILLED AND GAS CUT HOLES ($\pm 0.030"$) - NO CONING OF HOLES
 LASER CUT EDGES AND HOLES ($\pm 0.010"$) - NO CONING OF HOLES
 BENDS ARE $\pm 1/2$ DEGREE
 ALL OTHER MACHINING ($\pm 0.030"$)
 ALL OTHER ASSEMBLY ($\pm 0.060"$)

PROPRIETARY NOTE:
 THE DATA AND TECHNIQUES CONTAINED IN THIS DRAWING ARE PROPRIETARY INFORMATION OF VALMONT INDUSTRIES AND CONSIDERED A TRADE SECRET. ANY USE OR DISCLOSURE WITHOUT THE CONSENT OF VALMONT INDUSTRIES IS STRICTLY PROHIBITED.

DESCRIPTION

4' X 8' MODULAR STEP OVER
 WITH JACK LEGS, HANDRAIL AND 2 STEPS

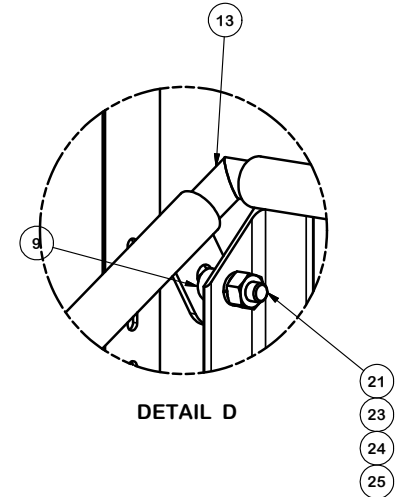
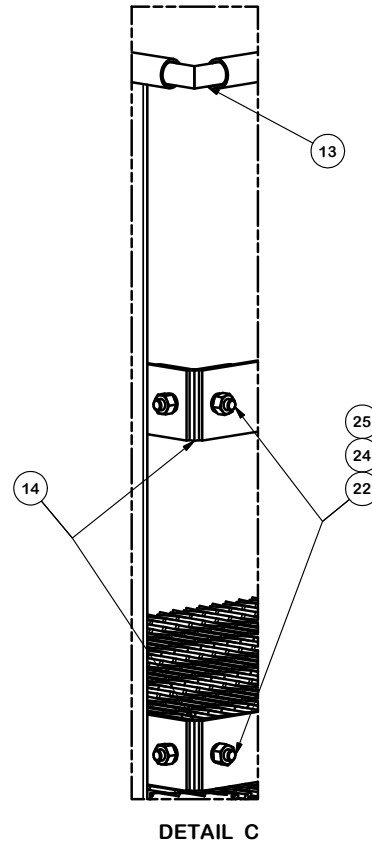
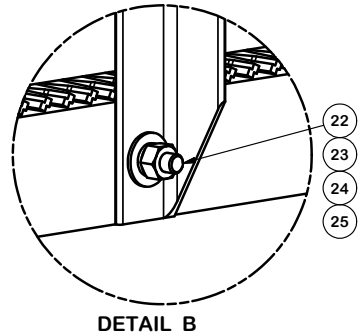
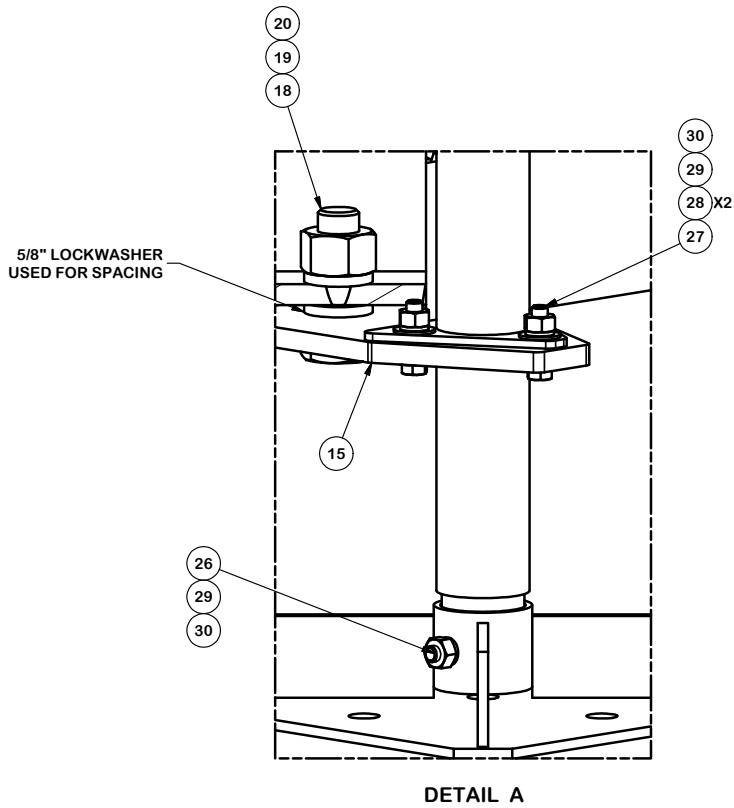
CPD NO.	DRAWN BY	ENG. APPROVAL
CLASS	DRAWING USAGE	CHECKED BY
81	02	CUSTOMER
		8/1/2016
		BMC 8/2/2016



Engineering Support Team:
 1-888-753-7446

Locations:
 New York, NY
 Atlanta, GA
 Los Angeles, CA
 Plymouth, IN
 Salem, OR
 Dallas, TX

PART NO.	MSO48-8JH24S2
DWG. NO.	MSO48-8JH24S2



TOLERANCE NOTES

TOLERANCES ON DIMENSIONS, UNLESS OTHERWISE NOTED ARE:
SAWED, SHEARED AND GAS CUT EDGES ($\pm 0.030"$)
DRILLED AND GAS CUT HOLES ($\pm 0.030"$) - NO CONING OF HOLES
LASER CUT EDGES AND HOLES ($\pm 0.010"$) - NO CONING OF HOLES
BENDS ARE $\pm 1/2$ DEGREE
ALL OTHER MACHINING ($\pm 0.030"$)
ALL OTHER ASSEMBLY ($\pm 0.060"$)

PROPRIETARY NOTE:
 THE DATA AND TECHNIQUES CONTAINED IN THIS DRAWING ARE PROPRIETARY INFORMATION OF VALMONT INDUSTRIES AND CONSIDERED A TRADE SECRET. ANY USE OR DISCLOSURE WITHOUT THE CONSENT OF VALMONT INDUSTRIES IS STRICTLY PROHIBITED.

DESCRIPTION

**4' X 8' MODULAR STEP OVER
 WITH JACK LEGS, HANDRAIL AND 2 STEPS**

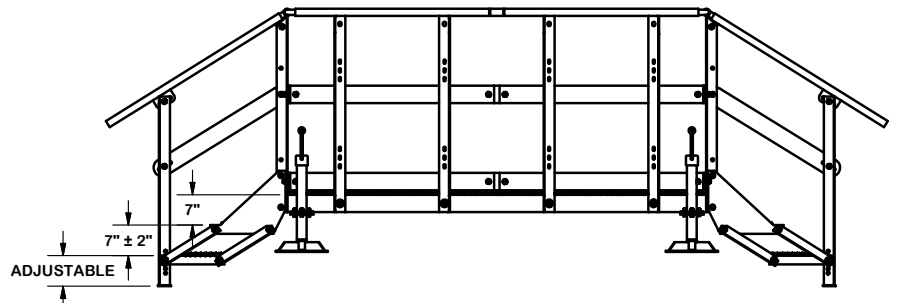
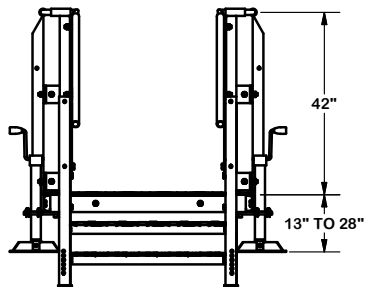
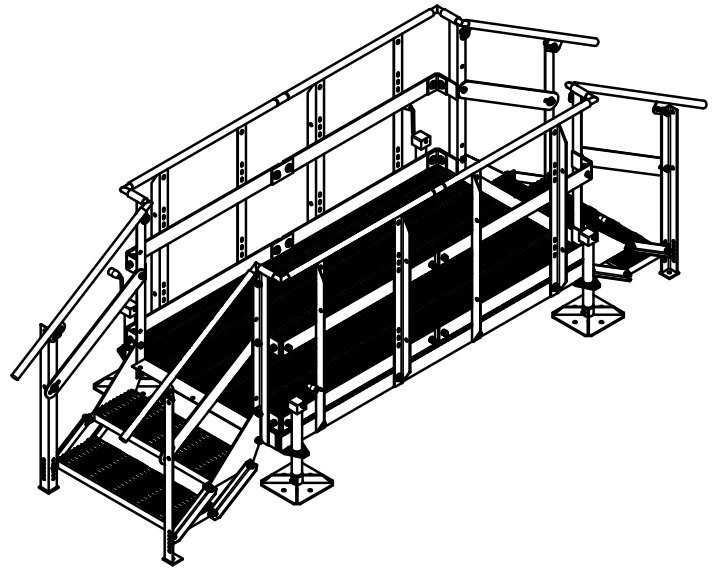
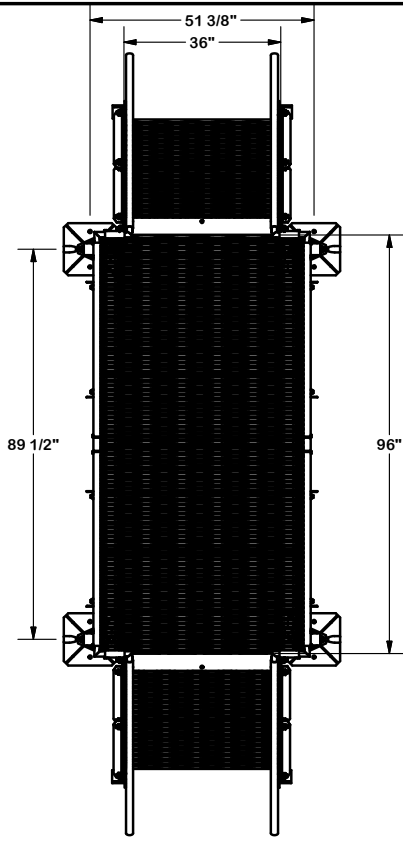
CPD NO.	DRAWN BY CEK	8/1/2016	ENG. APPROVAL
CLASS 81	SUB 02	DRAWING USAGE CUSTOMER	CHECKED BY BMC
			8/2/2016



Engineering
 Support Team:
 1-888-753-7446

Locations:
 New York, NY
 Atlanta, GA
 Los Angeles, CA
 Plymouth, IN
 Salem, OR
 Dallas, TX

PART NO.	MSO48-8JH24S2
DWG. NO.	MSO48-8JH24S2



TOLERANCE NOTES

TOLERANCES ON DIMENSIONS, UNLESS OTHERWISE NOTED ARE:
SAWED, SHEARED AND GAS CUT EDGES ($\pm 0.030"$)
DRILLED AND GAS CUT HOLES ($\pm 0.030"$) - NO CONING OF HOLES
LASER CUT EDGES AND HOLES ($\pm 0.010"$) - NO CONING OF HOLES
BENDS ARE $\pm 1/2$ DEGREE
ALL OTHER MACHINING ($\pm 0.030"$)
ALL OTHER ASSEMBLY ($\pm 0.060"$)

PROPRIETARY NOTE:
 THE DATA AND TECHNIQUES CONTAINED IN THIS DRAWING ARE PROPRIETARY INFORMATION OF VALMONT INDUSTRIES AND CONSIDERED A TRADE SECRET. ANY USE OR DISCLOSURE WITHOUT THE CONSENT OF VALMONT INDUSTRIES IS STRICTLY PROHIBITED.

DESCRIPTION
 4' X 8' MODULAR STEP OVER
 WITH JACK LEGS, HANDRAIL AND 2 STEPS

SITE PRO 1
 Engineering Support Team:
 1-888-753-7446
 Locations:
 New York, NY
 Atlanta, GA
 Los Angeles, CA
 Plymouth, IN
 Salem, OR
 Dallas, TX

CPD NO.	DRAWN BY CEK	8/1/2016	ENG. APPROVAL
CLASS 81	SUB 02	DRAWING USAGE CUSTOMER	CHECKED BY BMC
			8/2/2016

PART NO.	MSO48-8JH24S2	PAGE 3 OF 3
DWG. NO.	MSO48-8JH24S2	