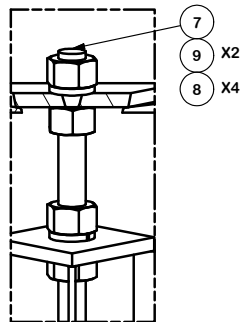
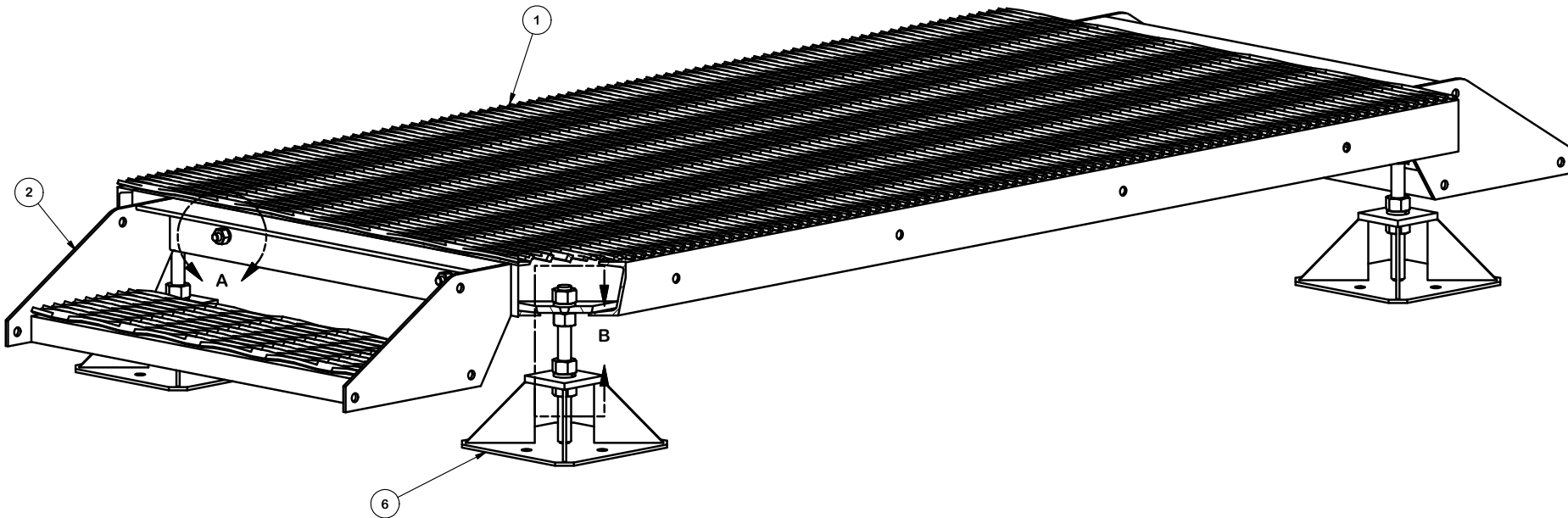


DETAIL A



DETAIL B



PARTS LIST

ITEM	QTY	PART NO.	PART DESCRIPTION	LENGTH	UNIT WT.	NET WT.
1	1	X-MEP48	4' X 8' WELDED EQUIPMENT RACK BASE		377.38	377.38
2	2	X-MSNH	MODULAR STEP NO HANDRAIL		81.15	162.29
3	4	G58134	5/8" x 1-3/4" HDG BOLT	1 3/4 in	0.27	1.08
4	4	G58LW	5/8" HDG LOCKWASHER		0.03	0.10
5	4	G58NUT	5/8" HDG HEAVY 2H HEX NUT		0.13	0.52
6	4	X-MPADS	1' SQAURE MODULAR PLATFORM FOOTPAD		17.50	70.01
7	4	G1R-12	1" x 12" THREADED ROD (HDG.)	12 in	2.68	10.71
8	16	G1NUT	1" HDG HEAVY HEX NUT		0.47	7.53
9	8	G1LW	1" LOCK WASHER		0.09	0.76
					TOTAL WT. #	630.37

TOLERANCE NOTES

TOLERANCES ON DIMENSIONS, UNLESS OTHERWISE NOTED ARE:  
 SAWED, SHEARED AND GAS CUT EDGES ( $\pm 0.030"$ )  
 DRILLED AND GAS CUT HOLES ( $\pm 0.030"$ ) - NO CONING OF HOLES  
 LASER CUT EDGES AND HOLES ( $\pm 0.010"$ ) - NO CONING OF HOLES  
 BENDS ARE  $\pm 1/2$  DEGREE  
 ALL OTHER MACHINING ( $\pm 0.030"$ )  
 ALL OTHER ASSEMBLY ( $\pm 0.060"$ )

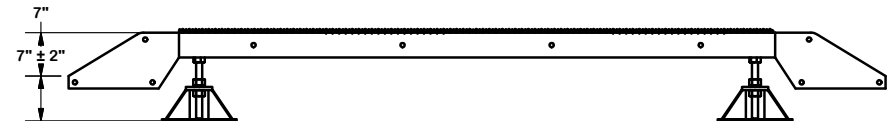
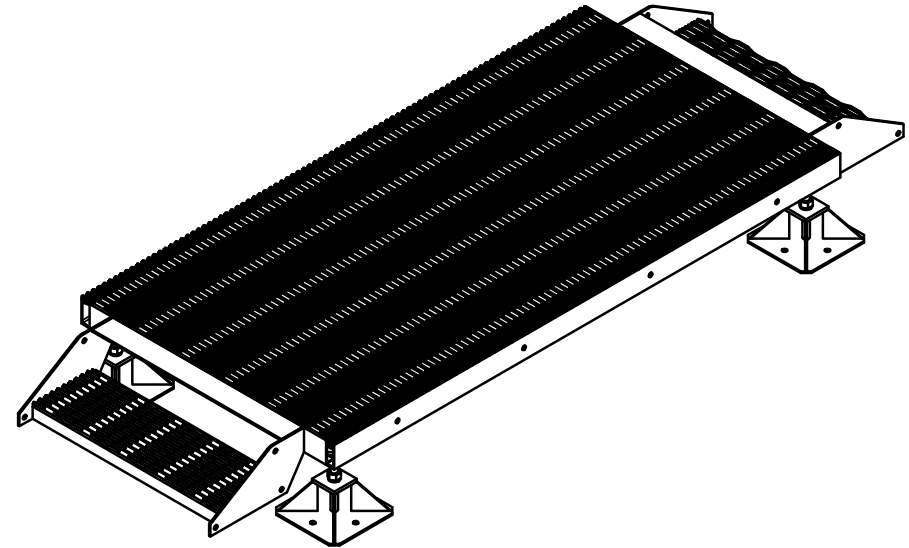
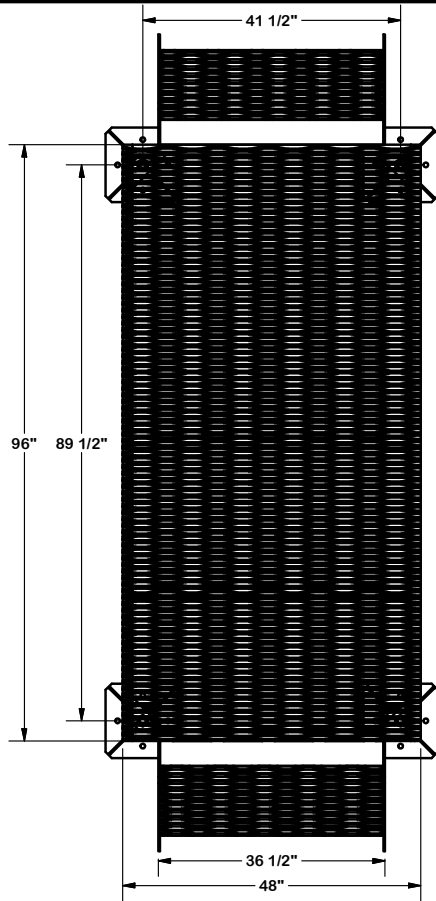
PROPRIETARY NOTE:  
 THE DATA AND TECHNIQUES CONTAINED IN THIS DRAWING ARE PROPRIETARY INFORMATION OF VALMONT INDUSTRIES AND CONSIDERED A TRADE SECRET. ANY USE OR DISCLOSURE WITHOUT THE CONSENT OF VALMONT INDUSTRIES IS STRICTLY PROHIBITED.

DESCRIPTION  
 4' X 8' MODULAR STEP OVER  
 WITH SMALL FOOTPADS AND 1 STEP

**SITE PRO 1**  
 Engineering Support Team:  
 1-888-753-7446  
 Locations:  
 New York, NY  
 Atlanta, GA  
 Los Angeles, CA  
 Plymouth, IN  
 Salem, OR  
 Dallas, TX

CPD NO.	DRAWN BY CEK	8/1/2016	ENG. APPROVAL
CLASS 81	SUB 02	DRAWING USAGE CUSTOMER	CHECKED BY BMC 8/2/2016

PART NO.	MSO48-8SS1
DWG. NO.	MSO48-8SS1



**TOLERANCE NOTES**

**TOLERANCES ON DIMENSIONS, UNLESS OTHERWISE NOTED ARE:  
 SAWED, SHEARED AND GAS CUT EDGES ( $\pm 0.030$ " )  
 DRILLED AND GAS CUT HOLES ( $\pm 0.030$ " ) - NO CONING OF HOLES  
 LASER CUT EDGES AND HOLES ( $\pm 0.010$ " ) - NO CONING OF HOLES  
 BENDS ARE  $\pm 1/2$  DEGREE  
 ALL OTHER MACHINING ( $\pm 0.030$ " )  
 ALL OTHER ASSEMBLY ( $\pm 0.060$ " )**

**PROPRIETARY NOTE:  
 THE DATA AND TECHNIQUES CONTAINED IN THIS DRAWING ARE PROPRIETARY INFORMATION OF VALMONT  
 INDUSTRIES AND CONSIDERED A TRADE SECRET. ANY USE OR DISCLOSURE WITHOUT THE CONSENT OF  
 VALMONT INDUSTRIES IS STRICTLY PROHIBITED.**

DESCRIPTION  
**4' X 8' MODULAR STEP OVER  
 WITH SMALL FOOTPADS AND 1 STEP**



Engineering  
 Support Team:  
 1-888-753-7446

Locations:  
 New York, NY  
 Atlanta, GA  
 Los Angeles, CA  
 Plymouth, IN  
 Salem, OR  
 Dallas, TX

CPD NO.	DRAWN BY CEK	8/1/2016	ENG. APPROVAL
CLASS 81	SUB 02	DRAWING USAGE CUSTOMER	CHECKED BY BMC
			8/2/2016

PART NO.	<b>MSO48-8SS1</b>
DWG. NO.	<b>MSO48-8SS1</b>