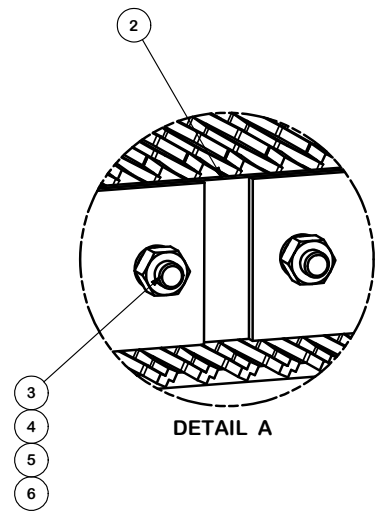
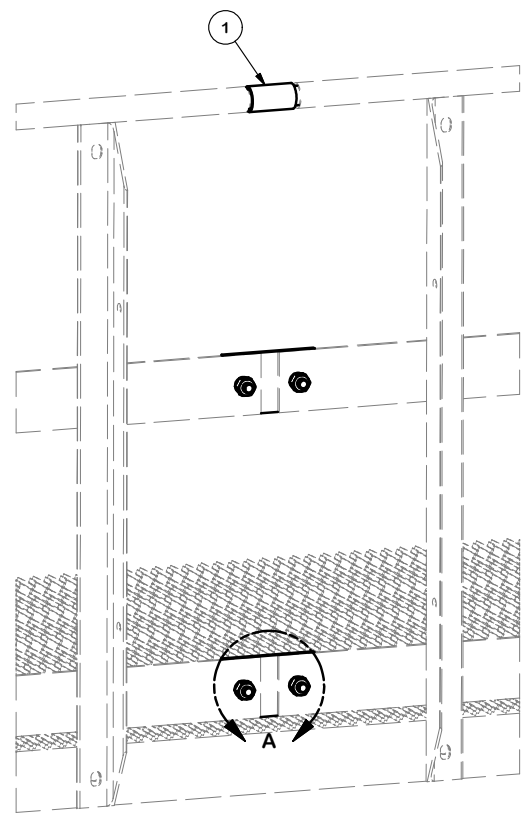


PARTS LIST						
ITEM	QTY	PART NO.	PART DESCRIPTION	LENGTH	UNIT WT.	NET WT.
1	1	X-MTRS	MODULAR TOP RAIL STRAIGHT SPLICE		1.88	1.88
2	2	X-MKPS	MODULAR KICKER PLATE STRAIGHT SPLICE	6 5/16 in	1.86	3.72
3	4	G58134	5/8" x 1-3/4" HDG BOLT	1 3/4 in	0.27	1.08
4	4	G58FW	5/8" HDG USS FLATWASHER	1/8 in	0.07	0.28
5	4	G58LW	5/8" HDG LOCKWASHER	5/32 in	0.03	0.10
6	4	G58NUT	5/8" HDG HEAVY 2H HEX NUT	5/8 in	0.13	0.52
					TOTAL WT. #	7.58



TOLERANCE NOTES

TOLERANCES ON DIMENSIONS, UNLESS OTHERWISE NOTED ARE:
 SAWED, SHEARED AND GAS CUT EDGES ($\pm 0.030"$)
 DRILLED AND GAS CUT HOLES ($\pm 0.030"$) - NO CONING OF HOLES
 LASER CUT EDGES AND HOLES ($\pm 0.010"$) - NO CONING OF HOLES
 BENDS ARE $\pm 1/2$ DEGREE
 ALL OTHER MACHINING ($\pm 0.030"$)
 ALL OTHER ASSEMBLY ($\pm 0.060"$)

PROPRIETARY NOTE:
 THE DATA AND TECHNIQUES CONTAINED IN THIS DRAWING ARE PROPRIETARY INFORMATION OF VALMONT INDUSTRIES AND CONSIDERED A TRADE SECRET. ANY USE OR DISCLOSURE WITHOUT THE CONSENT OF VALMONT INDUSTRIES IS STRICTLY PROHIBITED.

DESCRIPTION
**EQUIPMENT PLATFORM HANDRAIL
 STRAIGHT SPLICE HARDWARE**

CPD NO.	DRAWN BY CEK 3/8/2016	ENG. APPROVAL
CLASS 81	SUB 01	DRAWING USAGE CUSTOMER
	CHECKED BY BMC 3/13/2016	



Locations:
 New York, NY
 Atlanta, GA
 Los Angeles, CA
 Plymouth, IN
 Salem, OR
 Dallas, TX

Engineering Support Team:
 1-888-753-7446

PART NO.	MSPLICE-S	PAGE 1 OF 1
DWG. NO.	MSPLICE-S	