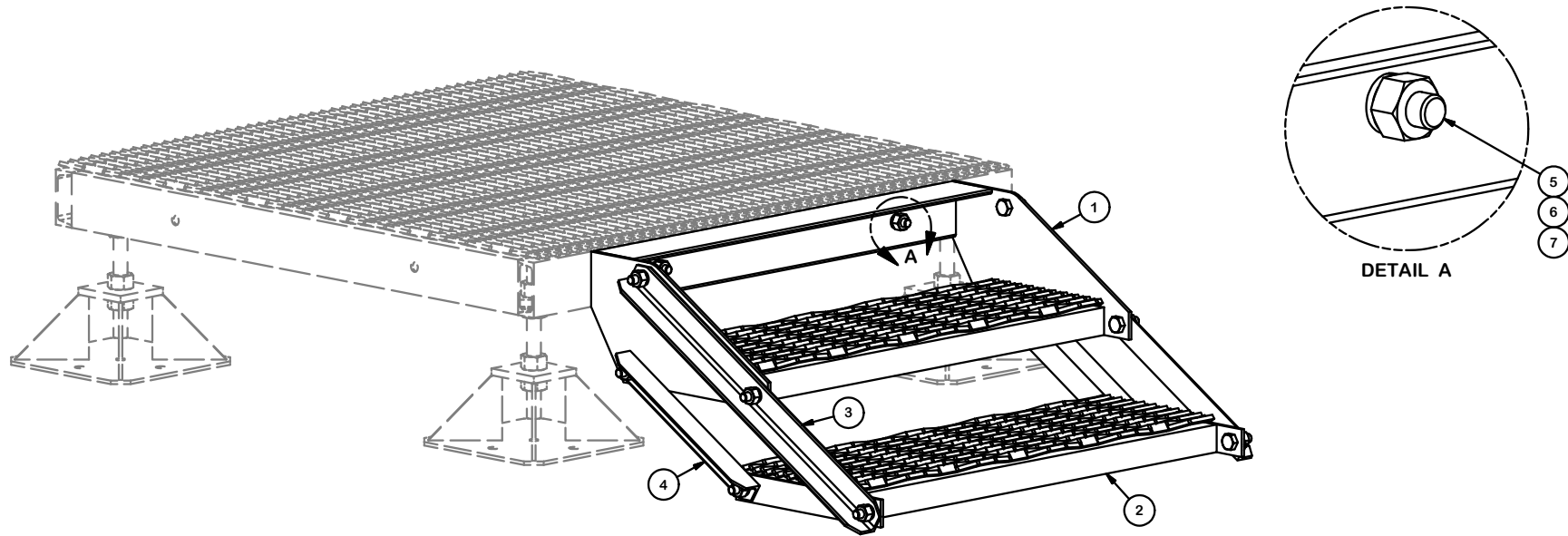


NOTE:  
PLATFORM AND FOOTPADS ARE NOT INCLUDED

MOUNTS DIRECTLY TO THE PLATFORM. WILL NOT  
WORK WITH THE MOPEN-4, OR HANDRAILS.

PARTS LIST						
ITEM	QTY	PART NO.	PART DESCRIPTION	LENGTH	UNIT WT.	NET WT.
1	1	X-MSNH	MODULAR STEP NO HANDRAIL		81.15	81.15
2	1	X-MSTEP	STAIR WELDMENT FOR MODULAR EQUIPMENT PLATFORM		37.92	37.92
3	2	X-MS3A	SIDE ANGLE FOR THREE STAIR ASSEMBLY	28 1/2 in	6.06	12.12
4	2	X-MS2A	SIDE ANGLE FOR TWO STAIR ASSEMBLY	15 1/4 in	3.20	6.40
5	12	G58134	5/8" x 1-3/4" HDG BOLT	1 3/4 in	0.27	3.23
6	12	G58LW	5/8" HDG LOCKWASHER		0.03	0.31
7	12	G58NUT	5/8" HDG HEAVY 2H HEX NUT		0.13	1.56
TOTAL WT. #						142.69



**TOLERANCE NOTES**

TOLERANCES ON DIMENSIONS, UNLESS OTHERWISE NOTED ARE:  
 SAWED, SHEARED AND GAS CUT EDGES ( $\pm 0.030"$ )  
 DRILLED AND GAS CUT HOLES ( $\pm 0.030"$ ) - NO CONING OF HOLES  
 LASER CUT EDGES AND HOLES ( $\pm 0.010"$ ) - NO CONING OF HOLES  
 BENDS ARE  $\pm 1/2$  DEGREE  
 ALL OTHER MACHINING ( $\pm 0.030"$ )  
 ALL OTHER ASSEMBLY ( $\pm 0.060"$ )

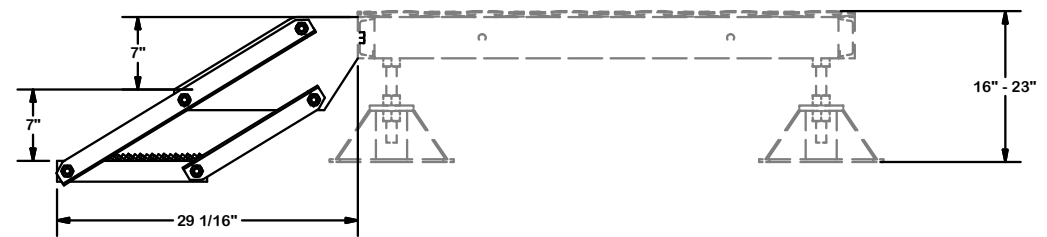
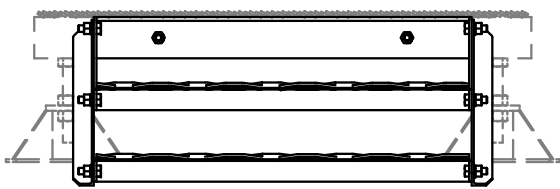
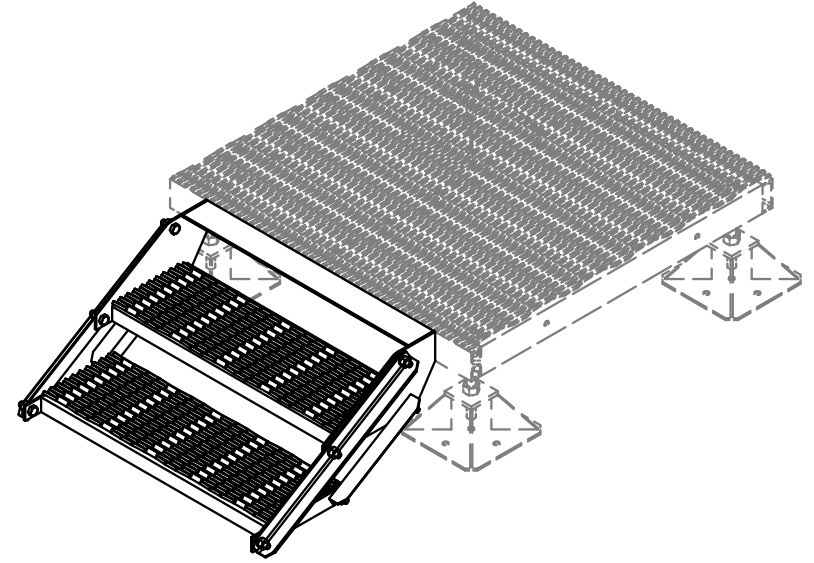
PROPRIETARY NOTE:  
 THE DATA AND TECHNIQUES CONTAINED IN THIS DRAWING ARE PROPRIETARY INFORMATION OF VALMONT INDUSTRIES AND CONSIDERED A TRADE SECRET. ANY USE OR DISCLOSURE WITHOUT THE CONSENT OF VALMONT INDUSTRIES IS STRICTLY PROHIBITED.

DESCRIPTION  
 TWO STAIR ASSEMBLY FOR  
 DIRECT TO PLATFORM STAIRS

CPD NO.	DRAWN BY CEK 5/18/2016	ENG. APPROVAL
CLASS 81	SUB 02	DRAWING USAGE CUSTOMER
	CHECKED BY BMC 5/18/2016	

**SITE PRO 1**  
 A valmont COMPANY  
 Engineering Support Team:  
 1-888-753-7446  
 Locations:  
 New York, NY  
 Atlanta, GA  
 Los Angeles, CA  
 Plymouth, IN  
 Salem, OR  
 Dallas, TX

PART NO. <b>MSTEP-2LD</b>
DWG. NO. <b>MSTEP-2LD</b>



**TOLERANCE NOTES**

TOLERANCES ON DIMENSIONS, UNLESS OTHERWISE NOTED ARE:  
 SAWED, SHEARED AND GAS CUT EDGES ( $\pm 0.030"$ )  
 DRILLED AND GAS CUT HOLES ( $\pm 0.030"$ ) - NO CONING OF HOLES  
 LASER CUT EDGES AND HOLES ( $\pm 0.010"$ ) - NO CONING OF HOLES  
 BENDS ARE  $\pm 1/2$  DEGREE  
 ALL OTHER MACHINING ( $\pm 0.030"$ )  
 ALL OTHER ASSEMBLY ( $\pm 0.060"$ )

PROPRIETARY NOTE:  
 THE DATA AND TECHNIQUES CONTAINED IN THIS DRAWING ARE PROPRIETARY INFORMATION OF VALMONT INDUSTRIES AND CONSIDERED A TRADE SECRET. ANY USE OR DISCLOSURE WITHOUT THE CONSENT OF VALMONT INDUSTRIES IS STRICTLY PROHIBITED.

DESCRIPTION  
 TWO STAIR ASSEMBLY FOR  
 DIRECT TO PLATFORM STAIRS

**SITE PRO 1**  
 A valmont COMPANY

Engineering Support Team:  
 1-888-753-7446

Locations:  
 New York, NY  
 Atlanta, GA  
 Los Angeles, CA  
 Plymouth, IN  
 Salem, OR  
 Dallas, TX

CPD NO.	DRAWN BY	ENG. APPROVAL
CLASS	DRAWING USAGE	CHECKED BY
81	CUSTOMER	BMC 5/18/2016
SUB		
02		

PART NO.	MSTEP-2LD
DWG. NO.	MSTEP-2LD