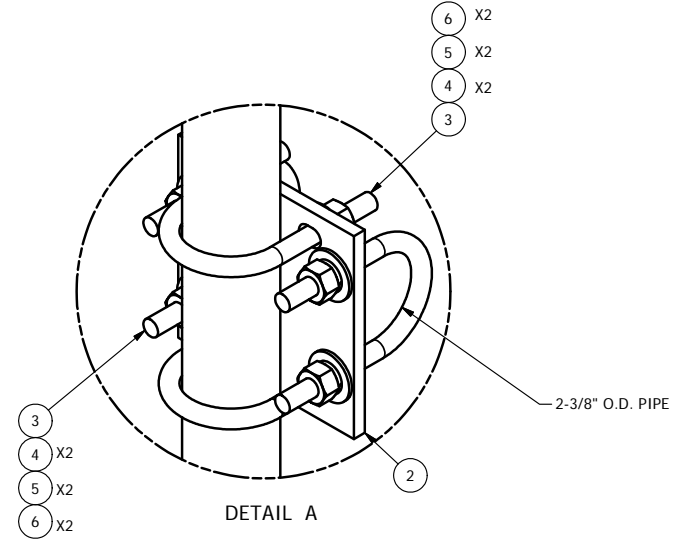


PARTS LIST						
ITEM	QTY	PART NO.	PART DESCRIPTION	LENGTH	UNIT WT.	NET WT.
1	1	P263	2-3/8" X 63" SCH 40 GALVANIZED PIPE	63 in	20.18	20.18
2	2	SCX1	CROSSOVER PLATE 2-3/8" X 2-3/8"		3.71	7.42
3	8	X-UB1212	1/2" X 2-1/2" X 4-1/2" X 2" U-BOLT (HDG.)		0.63	5.00
4	16	G12FW	1/2" HDG USS FLATWASHER		0.03	0.55
5	16	G12LW	1/2" HDG LOCKWASHER		0.01	0.22
6	16	G12NUT	1/2" HDG HEAVY 2H HEX NUT		0.07	1.15
TOTAL WT. #						34.52



**TOLERANCE NOTE**

TOLERANCES ON DIMENSIONS, UNLESS OTHERWISE NOTED ARE:  
 SAWED, SHEARED AND GAS CUT EDGES ( $\pm 0.030"$ )  
 DRILLED AND GAS CUT HOLES ( $\pm 0.030"$ ) - NO CONING OF HOLES  
 LASER CUT EDGES AND HOLES ( $\pm 0.010"$ ) - NO CONING OF HOLES  
 BENDS ARE  $\pm 1/2$  DEGREE - ALL OTHER MACHINING ( $\pm 0.030"$ )  
 ALL OTHER ASSEMBLY ( $\pm 0.060"$ )

**PROPRIETARY NOTE**

THE DATA AND TECHNIQUES CONTAINED IN THIS DRAWING ARE PROPRIETARY INFORMATION OF VALMONT INDUSTRIES AND CONSIDERED A TRADE SECRET. ANY USE OR DISCLOSURE WITHOUT THE CONSENT OF VALMONT INDUSTRIES IS STRICTLY PROHIBITED.

DESCRIPTION	PIPE MOUNT KIT 63"
-------------	-----------------------

**SITE PRO 1**  
 Engineering Support Team:  
 1-888-753-7446

Locations:  
 New York, NY  
 Atlanta, GA  
 Los Angeles, CA  
 Plymouth, IN  
 Salem, OR  
 Dallas, TX

A valmont COMPANY

DRAWN BY <b>CEK</b> 2/2/2012	CPD NO.	DRAWING USAGE <b>CUSTOMER</b>
ENG. APPROVAL	CHECKED BY <b>BMC</b> 2/14/2012	

PART NO. <b>P263-K</b>	PAGE 1 OF 1
DWG. NO. <b>P263-K</b>	