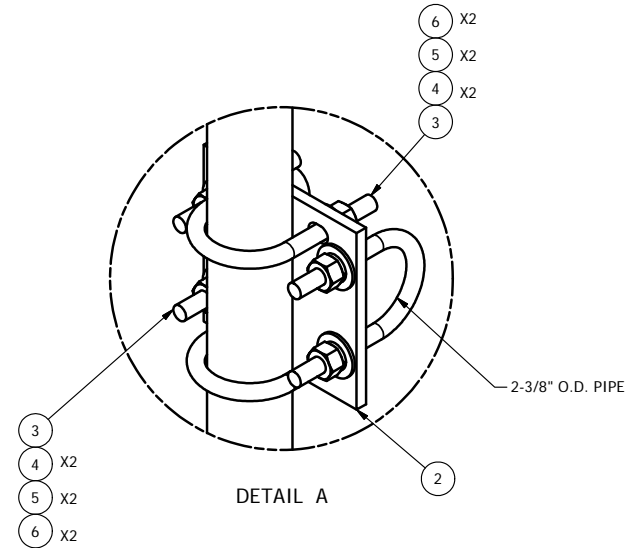


PARTS LIST						
ITEM	QTY	PART NO.	PART DESCRIPTION	LENGTH	UNIT WT.	NET WT.
1	1	P272	2-3/8" X 72" SCH 40 GALVANIZED PIPE	72 in	23.07	23.07
2	2	SCX1	CROSSOVER PLATE 2-3/8" X 2-3/8"		3.71	7.42
3	8	X-UB1212	1/2" X 2-1/2" X 4-1/2" X 2" U-BOLT (HDG.)		0.63	5.00
4	16	G12FW	1/2" HDG USS FLATWASHER		0.03	0.55
5	16	G12LW	1/2" HDG LOCKWASHER		0.01	0.22
6	16	G12NUT	1/2" HDG HEAVY 2H HEX NUT		0.07	1.15
					TOTAL WT. #	37.40



TOLERANCE NOTE

TOLERANCES ON DIMENSIONS, UNLESS OTHERWISE NOTED ARE:
 SAWED, SHEARED AND GAS CUT EDGES ($\pm 0.030"$)
 DRILLED AND GAS CUT HOLES ($\pm 0.030"$) - NO CONING OF HOLES
 LASER CUT EDGES AND HOLES ($\pm 0.010"$) - NO CONING OF HOLES
 BENDS ARE $\pm 1/2$ DEGREE - ALL OTHER MACHINING ($\pm 0.030"$)
 ALL OTHER ASSEMBLY ($\pm 0.060"$)

PROPRIETARY NOTE

THE DATA AND TECHNIQUES CONTAINED IN THIS DRAWING ARE PROPRIETARY INFORMATION OF VALMONT INDUSTRIES AND CONSIDERED A TRADE SECRET. ANY USE OR DISCLOSURE WITHOUT THE CONSENT OF VALMONT INDUSTRIES IS STRICTLY PROHIBITED.

DESCRIPTION	PIPE MOUNT KIT 72"
-------------	-----------------------

	Engineering Support Team: 1-888-753-7446	Locations: New York, NY Atlanta, GA Los Angeles, CA Plymouth, IN Salem, OR Dallas, TX
	A valmont COMPANY	

DRAWN BY CEK 2/2/2012	CPD NO.	DRAWING USAGE CUSTOMER
ENG. APPROVAL	CHECKED BY BMC 2/14/2012	

PART NO. P272-K	PAGE 1 OF 1
DWG. NO. P272-K	