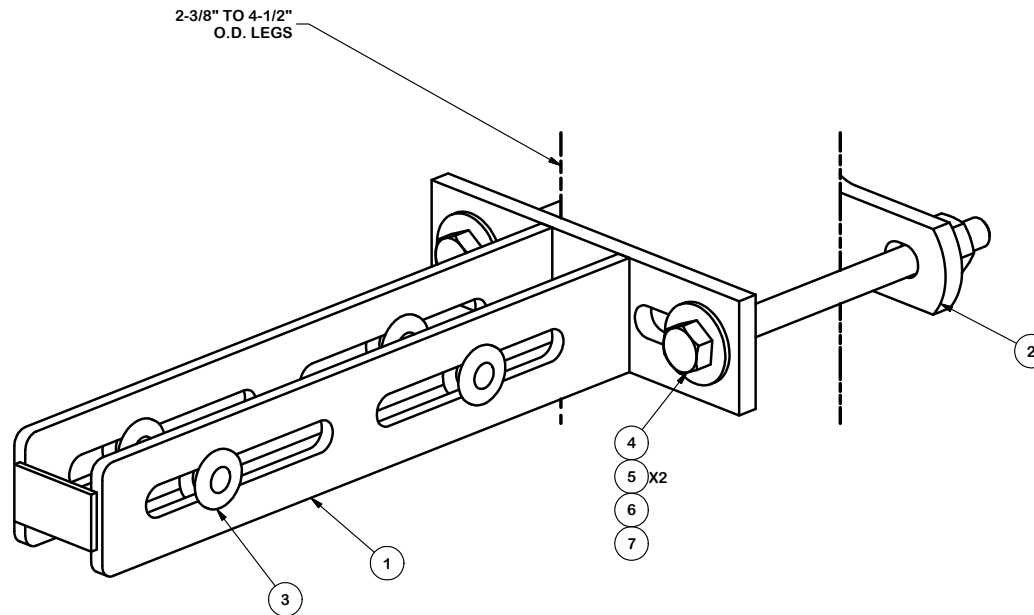


PARTS LIST						
ITEM	QTY	PART NO.	PART DESCRIPTION	LENGTH	UNIT WT.	NET WT.
1	1	X-PB-TMA	PIM MITIGATION BRACKET FOR TMA		4.33	4.33
2	1	X-115765	5" V-CLAMP	7 1/16 in	1.03	1.03
3	4	GR3033A	BLACK RUBBER GROMMET		0.04	0.17
4	2	G12065	1/2" x 6-1/2" HDG HEX BOLT GR5 FULL THREAD	5 1/2 in	0.41	0.82
5	4	G12FW	1/2" HDG USS FLATWASHER	3/32 in	0.03	0.14
6	2	G12LW	1/2" HDG LOCKWASHER	1/8 in	0.01	0.03
7	2	G12NUT	1/2" HDG HEAVY 2H HEX NUT		0.07	0.14



TOLERANCE NOTES

TOLERANCES ON DIMENSIONS, UNLESS OTHERWISE NOTED ARE:
 SAWED, SHEARED AND GAS CUT EDGES (± 0.030 ")
 DRILLED AND GAS CUT HOLES (± 0.030 ") - NO CONING OF HOLES
 LASER CUT EDGES AND HOLES (± 0.010 ") - NO CONING OF HOLES
 BENDS AND ANGLES ARE $\pm 1/2$ DEGREE
 ALL OTHER MACHINING (± 0.030 ")
 ALL OTHER ASSEMBLY (± 0.060 ")

PROPRIETARY NOTE:
 THE DATA AND TECHNIQUES CONTAINED IN THIS DRAWING ARE PROPRIETARY INFORMATION OF VALMONT INDUSTRIES AND CONSIDERED A TRADE SECRET. ANY USE OR DISCLOSURE WITHOUT THE CONSENT OF VALMONT INDUSTRIES IS STRICTLY PROHIBITED.

DESCRIPTION
**PIM BUSTER
 TMA BRACKET**

SITE PRO 1
 Engineering Support Team:
 1-888-753-7446

Locations:
 New York, NY
 Atlanta, GA
 Los Angeles, CA
 Plymouth, IN
 Salem, OR
 Dallas, TX
 Tampa, FL

A valmont COMPANY

CPD NO.	DRAWN BY CEK 8/13/2019	ENG. APPROVAL
CLASS 81	SUB 01	DRAWING USAGE CUSTOMER
	CHECKED BY BMC 8/26/2019	

PART NO.	PB-TMA-K	PAGE 1 OF 1
DWG. NO.	PB-TMA-K	