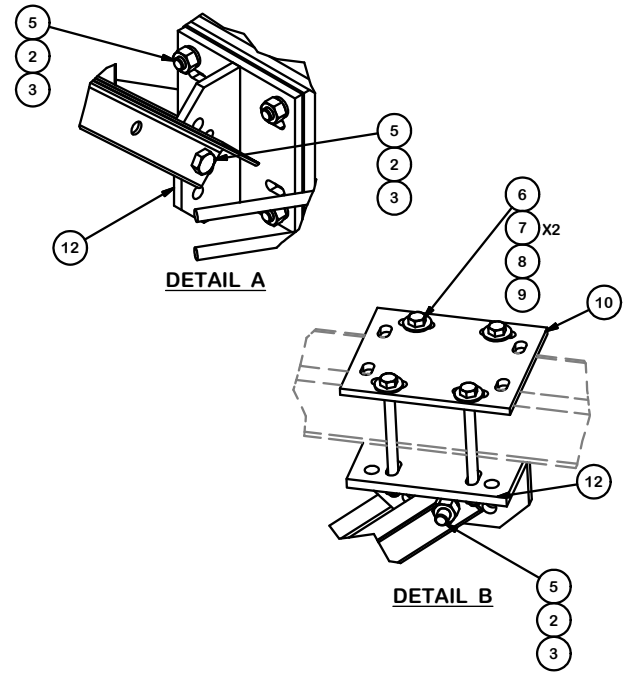


PARTS LIST						
ITEM	QTY	PART NO.	PART DESCRIPTION	LENGTH	UNIT WT.	NET WT.
1	3	X-LWRM	RING MOUNT WELDMENT		68.81	206.42
2	36	G58LW	5/8" HDG LOCKWASHER		0.03	0.94
3	36	G58NUT	5/8" HDG HEAVY 2H HEX NUT		0.13	4.68
4	9	G58R-24	5/8" x 24" THREADED ROD (HDG.)		2.09	18.82
4	9	G58R-48	5/8" x 48" THREADED ROD (HDG.)		4.18	37.63
5	18	A582114	5/8" x 2-1/4" HDG A325 HEX BOLT	2 1/4 in	0.31	5.62
6	12	G12065	1/2" x 6-1/2" HDG HEX BOLT GR5 FULL THREAD	5 1/2 in	0.41	4.91
7	24	G12FW	1/2" HDG USS FLATWASHER	3/32 in	0.03	0.82
8	12	G12LW	1/2" HDG LOCKWASHER	1/8 in	0.01	0.17
9	12	G12NUT	1/2" HDG HEAVY 2H HEX NUT		0.07	0.86
10	3	SCX4	CROSSOVER PLATE	8 1/2 in	6.02	18.06
11	6	X-254923	PLATFORM REINFORCEMENT KIT ANGLE	84 in	22.83	137.00
12	6	X-TBW	T-BRACKET WELDMENT		13.60	81.60
					TOTAL WT. #	517.21



REV	DESCRIPTION OF REVISIONS	CPD	BY	DATE
B	CHANGED X-253992 TO X-TBW		CEK	9/19/2018
A	CHANGED ALL 5/8" BOLTS TO A582114	4488	CEK	10/1/2015
REVISION HISTORY				

**TOLERANCE NOTES**  
 TOLERANCES ON DIMENSIONS, UNLESS OTHERWISE NOTED ARE:  
 SAWED, SHEARED AND GAS CUT EDGES ( $\pm 0.030"$ )  
 DRILLED AND GAS CUT HOLES ( $\pm 0.030"$ ) - NO CONING OF HOLES  
 LASER CUT EDGES AND HOLES ( $\pm 0.010"$ ) - NO CONING OF HOLES  
 BENDS ARE  $\pm 1/2$  DEGREE  
 ALL OTHER MACHINING ( $\pm 0.030"$ )  
 ALL OTHER ASSEMBLY ( $\pm 0.060"$ )

PROPRIETARY NOTE:  
 THE DATA AND TECHNIQUES CONTAINED IN THIS DRAWING ARE PROPRIETARY INFORMATION OF VALMONT INDUSTRIES AND CONSIDERED A TRADE SECRET. ANY USE OR DISCLOSURE WITHOUT THE CONSENT OF VALMONT INDUSTRIES IS STRICTLY PROHIBITED.

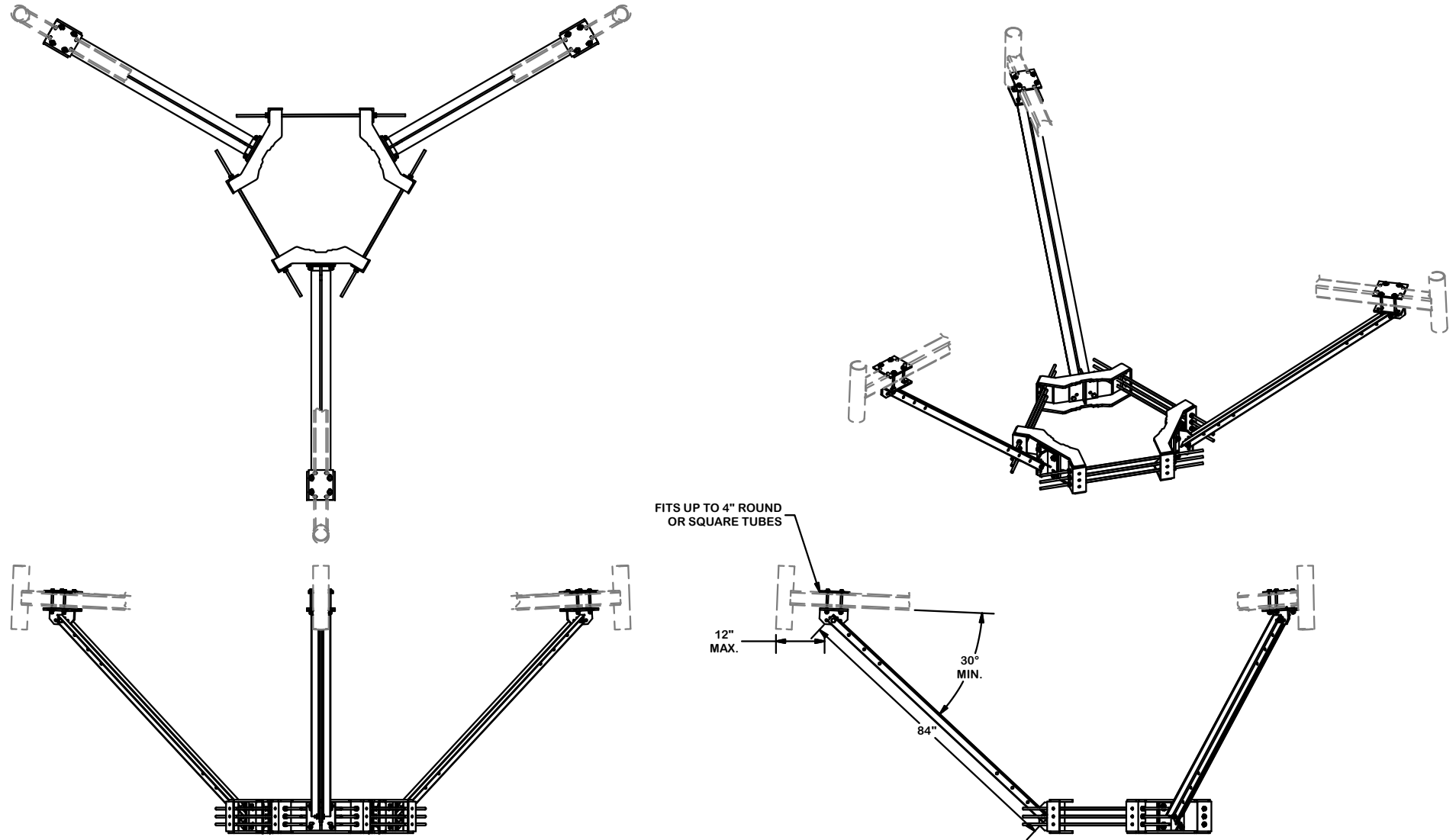
DESCRIPTION		DRAWN BY		ENG. APPROVAL	
PLATFORM REINFORCEMENT ON A 12" TO 45" POLE 7° ANGLE		CEK 7/16/2014			
CPD NO.	4488	DRAWING USAGE	CUSTOMER	CHECKED BY	BMC 1/18/2016
CLASS	81	SUB	01		

**A valmont COMPANY**

Locations:  
 New York, NY  
 Atlanta, GA  
 Los Angeles, CA  
 Plymouth, IN  
 Salem, OR  
 Dallas, TX

Engineering Support Team:  
 1-888-753-7446

PART NO.	PRK-1245L
DWG. NO.	PRK-1245L



FITS UP TO 4" ROUND  
OR SQUARE TUBES

12"  
MAX.

30°  
MIN.

84"

**TOLERANCE NOTES**

TOLERANCES ON DIMENSIONS, UNLESS OTHERWISE NOTED ARE:  
 SAWED, SHEARED AND GAS CUT EDGES ( $\pm 0.030"$ )  
 DRILLED AND GAS CUT HOLES ( $\pm 0.030"$ ) - NO CONING OF HOLES  
 LASER CUT EDGES AND HOLES ( $\pm 0.010"$ ) - NO CONING OF HOLES  
 BENDS ARE  $\pm 1/2$  DEGREE  
 ALL OTHER MACHINING ( $\pm 0.030"$ )  
 ALL OTHER ASSEMBLY ( $\pm 0.060"$ )

PROPRIETARY NOTE:  
 THE DATA AND TECHNIQUES CONTAINED IN THIS DRAWING ARE PROPRIETARY INFORMATION OF VALMONT  
 INDUSTRIES AND CONSIDERED A TRADE SECRET. ANY USE OR DISCLOSURE WITHOUT THE CONSENT OF  
 VALMONT INDUSTRIES IS STRICTLY PROHIBITED.

DESCRIPTION

PLATFORM REINFORCEMENT  
 ON A 12" TO 45" POLE  
 7° ANGLE



A valmont COMPANY

Engineering  
 Support Team:  
 1-888-753-7446

Locations:  
 New York, NY  
 Atlanta, GA  
 Los Angeles, CA  
 Plymouth, IN  
 Salem, OR  
 Dallas, TX

REV	DESCRIPTION OF REVISIONS	CPD	BY	DATE
B	CHANGED X-253992 TO X-TBW		CEK	9/19/2018
A	CHANGED ALL 5/8" BOLTS TO A582114	4488	CEK	10/1/2015
REVISION HISTORY				

CPD NO.	DRAWN BY	ENG. APPROVAL
4488	CEK 7/16/2014	
CLASS	SUB	DRAWING USAGE
81	01	CUSTOMER
		CHECKED BY
		BMC 1/18/2016

PART NO.	DWG. NO.
PRK-1245L	PRK-1245L