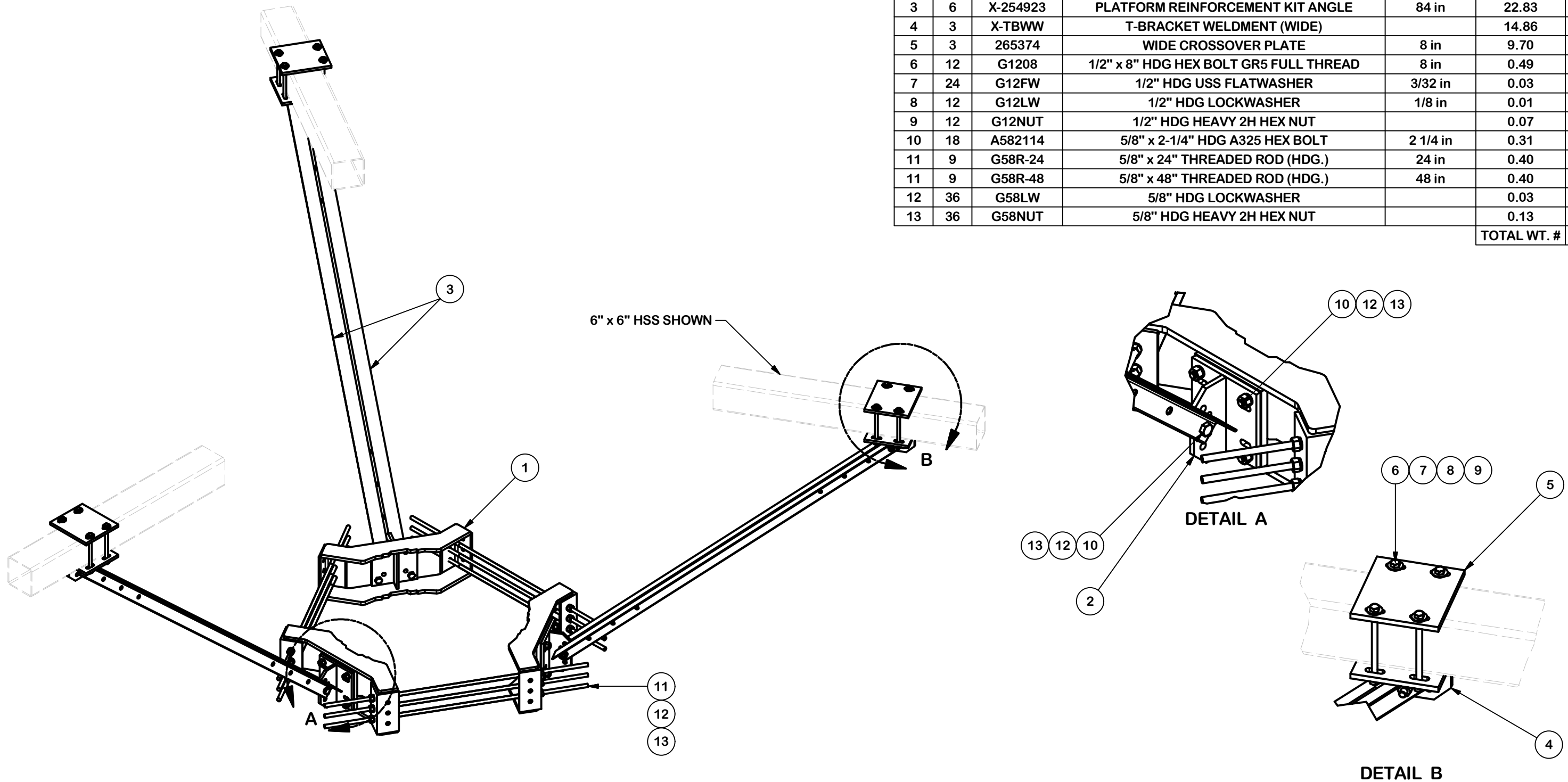


PARTS LIST						
ITEM	QTY	PART NO.	PART DESCRIPTION	LENGTH	UNIT WT.	NET WT.
1	3	X-LWRM	RING MOUNT WELDMENT		68.81	206.42
2	3	X-TBW	T-BRACKET WELDMENT		13.60	40.80
3	6	X-254923	PLATFORM REINFORCEMENT KIT ANGLE	84 in	22.83	137.00
4	3	X-TBWW	T-BRACKET WELDMENT (WIDE)		14.86	44.57
5	3	265374	WIDE CROSSOVER PLATE	8 in	9.70	29.11
6	12	G1208	1/2" x 8" HDG HEX BOLT GR5 FULL THREAD	8 in	0.49	5.92
7	24	G12FW	1/2" HDG USS FLATWASHER	3/32 in	0.03	0.82
8	12	G12LW	1/2" HDG LOCKWASHER	1/8 in	0.01	0.17
9	12	G12NUT	1/2" HDG HEAVY 2H HEX NUT		0.07	0.86
10	18	A582114	5/8" x 2-1/4" HDG A325 HEX BOLT	2 1/4 in	0.31	5.62
11	9	G58R-24	5/8" x 24" THREADED ROD (HDG.)	24 in	0.40	3.59
11	9	G58R-48	5/8" x 48" THREADED ROD (HDG.)	48 in	0.40	3.59
12	36	G58LW	5/8" HDG LOCKWASHER		0.03	0.94
13	36	G58NUT	5/8" HDG HEAVY 2H HEX NUT		0.13	4.68
					TOTAL WT. #	564.12



**TOLERANCE NOTES**

TOLERANCES ON DIMENSIONS, UNLESS OTHERWISE NOTED ARE:  
 SAWED, SHEARED AND GAS CUT EDGES ( $\pm 0.030''$ )  
 DRILLED AND GAS CUT HOLES ( $\pm 0.030''$ ) - NO CONING OF HOLES  
 LASER CUT EDGES AND HOLES ( $\pm 0.010''$ ) - NO CONING OF HOLES  
 BENDS ARE  $\pm 1/2$  DEGREE  
 ALL OTHER MACHINING ( $\pm 0.030''$ )  
 ALL OTHER ASSEMBLY ( $\pm 0.060''$ )

PROPRIETARY NOTE:  
 THE DATA AND TECHNIQUES CONTAINED IN THIS DRAWING ARE PROPRIETARY INFORMATION OF VALMONT INDUSTRIES AND CONSIDERED A TRADE SECRET. ANY USE OR DISCLOSURE WITHOUT THE CONSENT OF VALMONT INDUSTRIES IS STRICTLY PROHIBITED.

DESCRIPTION  
**PLATFORM REINFORCEMENT KIT  
 FOR 14' PLATFORMS ON A 12" TO 45" POLE  
 (WIDE STANDOFF)**

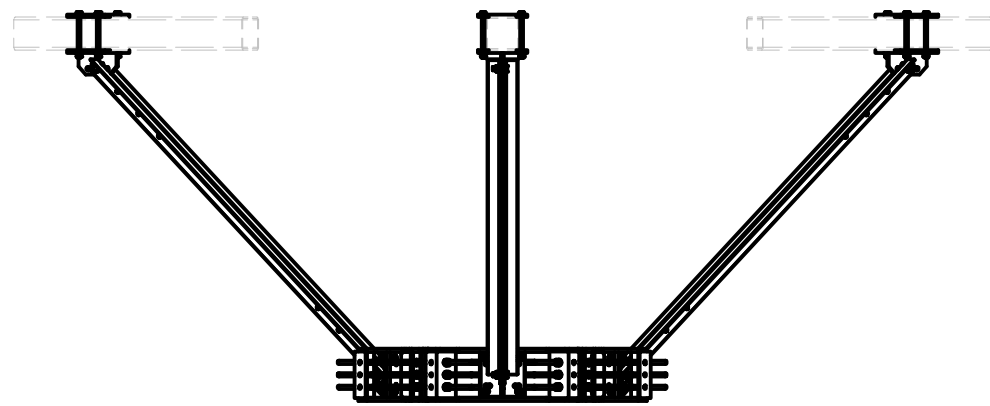
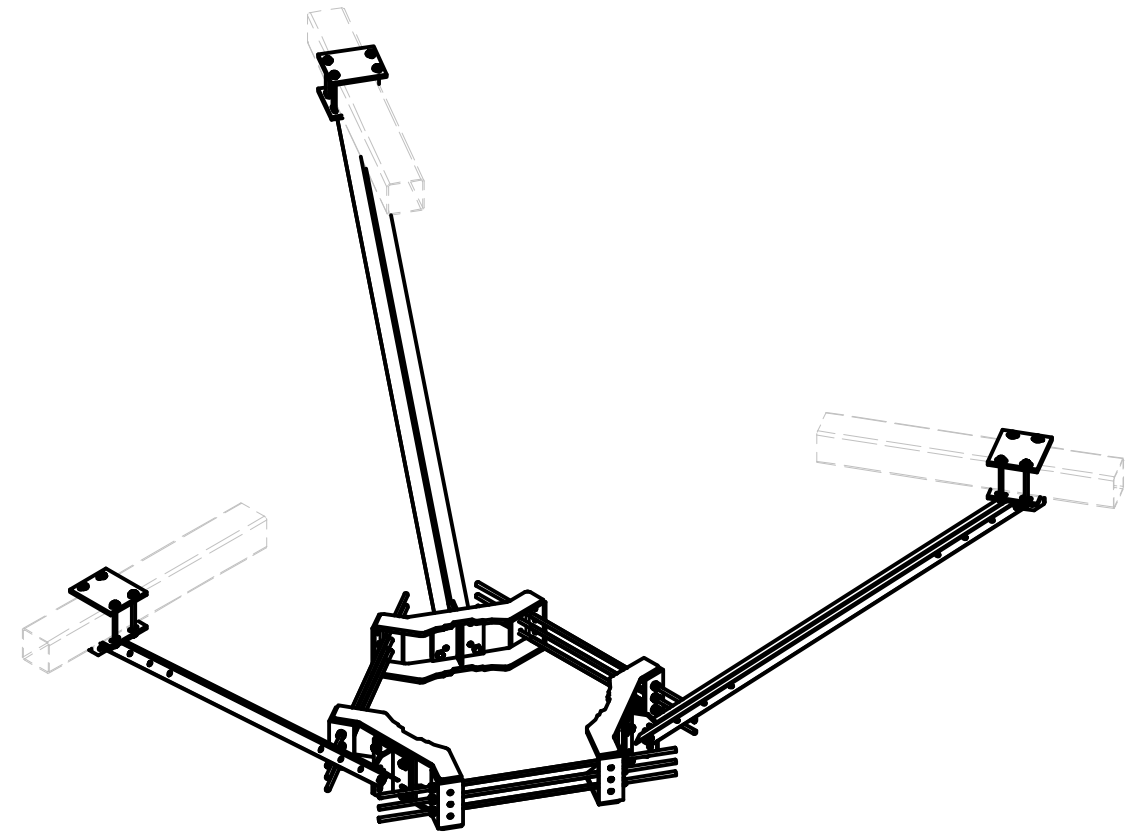
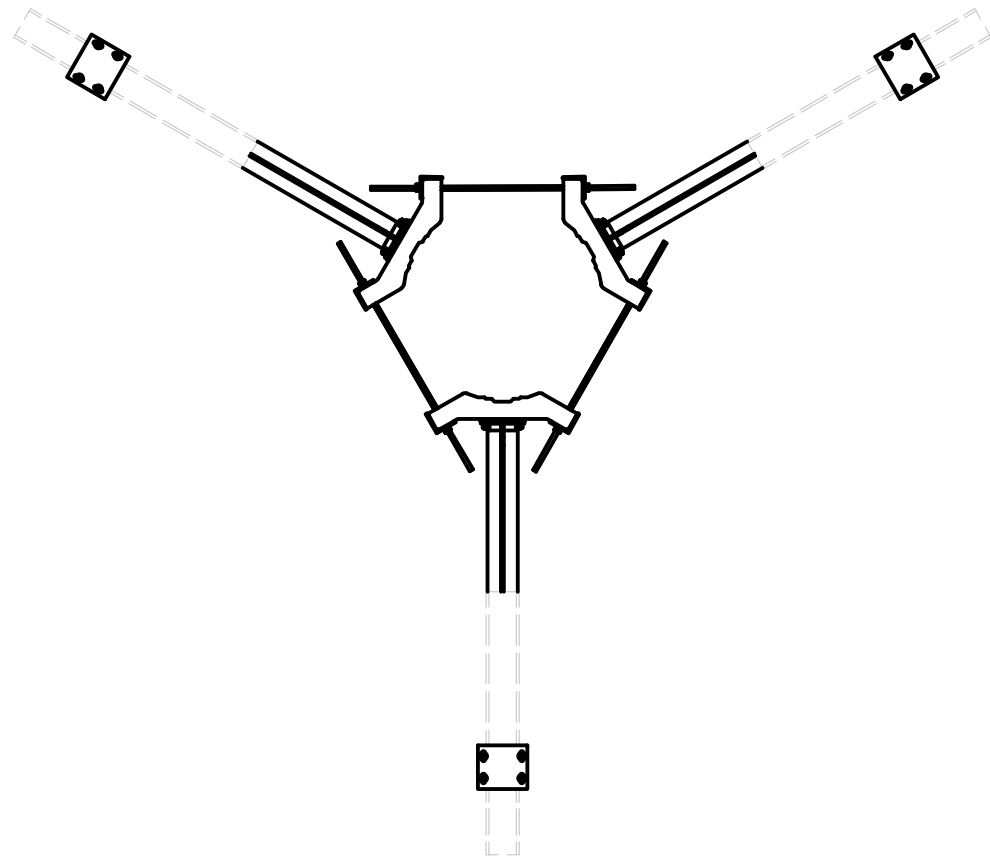
**SITE PRO 1**  
 A valmont COMPANY

Engineering Support Team:  
 1-888-753-7446

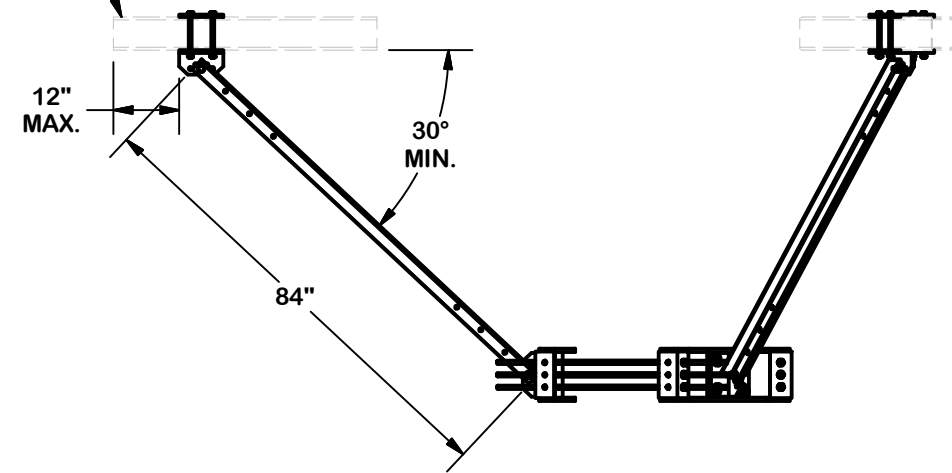
Locations:  
 New York, NY  
 Atlanta, GA  
 Los Angeles, CA  
 Plymouth, IN  
 Salem, OR  
 Dallas, TX

CPD NO.	DRAWN BY CSL 7/25/2017	ENG. APPROVAL 3RD PARTY
CLASS 81	SUB 02	DRAWING USAGE CUSTOMER
	CHECKED BY BMC 7/25/2017	

PART NO. <b>PRK-1245LW</b>	PAGE 1 OF 2
DWG. NO. <b>PRK-1245LW</b>	



6" x 6" HSS SHOWN



**TOLERANCE NOTES**

TOLERANCES ON DIMENSIONS, UNLESS OTHERWISE NOTED ARE:  
 SAWED, SHEARED AND GAS CUT EDGES ( $\pm 0.030''$ )  
 DRILLED AND GAS CUT HOLES ( $\pm 0.030''$ ) - NO CONING OF HOLES  
 LASER CUT EDGES AND HOLES ( $\pm 0.010''$ ) - NO CONING OF HOLES  
 BENDS ARE  $\pm 1/2$  DEGREE  
 ALL OTHER MACHINING ( $\pm 0.030''$ )  
 ALL OTHER ASSEMBLY ( $\pm 0.060''$ )

PROPRIETARY NOTE:  
 THE DATA AND TECHNIQUES CONTAINED IN THIS DRAWING ARE PROPRIETARY INFORMATION OF VALMONT INDUSTRIES AND CONSIDERED A TRADE SECRET. ANY USE OR DISCLOSURE WITHOUT THE CONSENT OF VALMONT INDUSTRIES IS STRICTLY PROHIBITED.

DESCRIPTION  
**PLATFORM REINFORCEMENT KIT  
 FOR 14' PLATFORMS ON A 12" TO 45" POLE  
 (WIDE STANDOFF)**

CPD NO.	DRAWN BY CSL 7/25/2017	ENG. APPROVAL 3RD PARTY
CLASS 81	SUB 02	DRAWING USAGE CUSTOMER
	CHECKED BY BMC 7/25/2017	



Locations:  
 New York, NY  
 Atlanta, GA  
 Los Angeles, CA  
 Plymouth, IN  
 Salem, OR  
 Dallas, TX

Engineering  
 Support Team:  
 1-888-753-7446

PART NO.	PRK-1245LW
DWG. NO.	PRK-1245LW