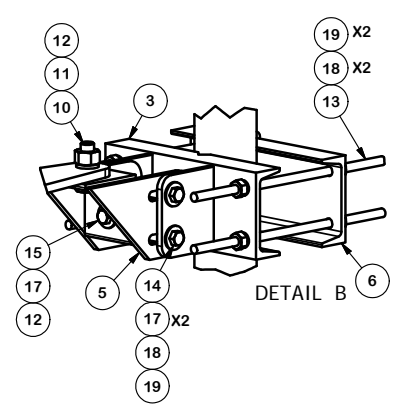
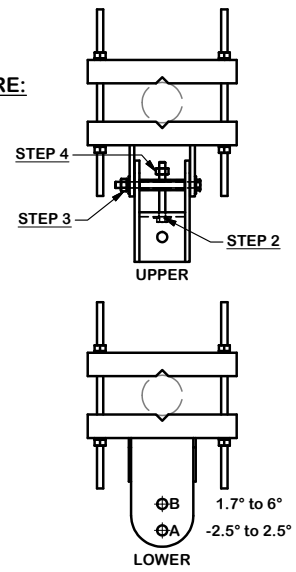


PARTS LIST						
ITEM	QTY	PART NO.	PART DESCRIPTION	LENGTH	UNIT WT.	NET WT.
1	1	X-195646	6' STANDOFF PIVOT ARM		66.73	66.73
2	1	P2126	2-3/8" OD X 126" SCH 40 GALVANIZED PIPE	126 in	40.75	40.75
3	1	X-SDCAMDS	DIAGONAL SLOT WELDMENT FOR BCAM		13.57	13.57
4	1	X-MHTP	MULTI-HOLE TAPER PLATE WELDMENT		13.17	13.17
5	1	X-SDCAMSS	STRAIGHT SLOT WELDMENT FOR BCAM		8.48	8.48
6	2	X-LCBB	LEG CONNECTION BACKING BRACKET	12 in	7.56	15.11
7	1	X-SDCAMSP	POSITIONING PLATE WELDMENT FOR BCAM		1.43	1.43
8	4	X-100064	CLAMP (4" V-CLAMP) GALVANIZED		0.91	3.65
9	2	X-127594	FLAT DISK CLAMP PLATE 4" CENTERS (GALV.)		2.51	5.01
10	2	A34214	3/4"-10 X 2-1/4" A325 BOLT	2 1/4 in	0.47	0.95
11	2	G34LW	3/4" HDG LOCKWASHER		0.04	0.09
12	2	G34NUT	3/4" HDG HEAVY 2H HEX NUT		0.21	0.42
13	8	G12R-15	1/2" x 15" GALV. THREADED ROD		0.84	6.69
14	6	G12065	1/2" x 6-1/2" HDG HEX BOLT GR5 FULL THREAD	6 1/2 in	0.41	2.46
15	1	G12045	1/2" x 4.5" HDG HEX BOLT GR5 FULL THREAD	4 1/2 in	0.30	0.30
16	4	G1204	1/2" x 4" HDG HEX BOLT GR5 FULL THREAD	4 in	0.27	1.08
17	13	G12FW	1/2" HDG USS FLATWASHER	3/32 in	0.03	0.44
18	26	G12LW	1/2" HDG LOCKWASHER	1/8 in	0.01	0.36
19	27	G12NUT	1/2" HDG HEAVY 2H HEX NUT		0.07	1.93
					TOTAL WT. #	182.62



ANGLE CALIBRATING PROCEDURE:

1. MEASURE TOWER TAPER AND PICK LOWER BRACKET HOLE:
 - HOLE A = -2.5° TO 2.5°
 - HOLE B = 1.7° TO 6°
2. USE CALIBRATING BOLT TO ADJUST FRAME TO DESIRED TAPER
3. TORQUE LOCKING BOLTS TO 75 ft.-lbs.
4. ADVANCE LOCKING NUT TO POSITIONING PLATE, THEN TIGHTEN.



REV	DESCRIPTION OF REVISIONS	CPD	BY	DATE
B	CHANGED SIDEARM LEG CONNECTION		CEK	6/8/2017
A	P1126 CHANGED TO P2126	4749	CEK	11/13/2015
REV	DESCRIPTION OF REVISIONS	CPD	BY	DATE

REVISION HISTORY

TOLERANCE NOTES

TOLERANCES ON DIMENSIONS, UNLESS OTHERWISE NOTED ARE:
 SAWED, SHEARED AND GAS CUT EDGES ($\pm 0.030"$)
 DRILLED AND GAS CUT HOLES ($\pm 0.030"$) - NO CONING OF HOLES
 LASER CUT EDGES AND HOLES ($\pm 0.010"$) - NO CONING OF HOLES
 BENDS ARE $\pm 1/2$ DEGREE
 ALL OTHER MACHINING ($\pm 0.030"$)
 ALL OTHER ASSEMBLY ($\pm 0.060"$)

PROPRIETARY NOTE:
 THE DATA AND TECHNIQUES CONTAINED IN THIS DRAWING ARE PROPRIETARY INFORMATION OF VALMONT INDUSTRIES AND CONSIDERED A TRADE SECRET. ANY USE OR DISCLOSURE WITHOUT THE CONSENT OF VALMONT INDUSTRIES IS STRICTLY PROHIBITED.

DESCRIPTION	
6' SIDE ARM (PSA6)	
CPD NO. 4749	DRAWN BY CEK 9/1/2010
CLASS CUSTOMER	ENG. APPROVAL BMC 7/6/2017

SITE PRO 1

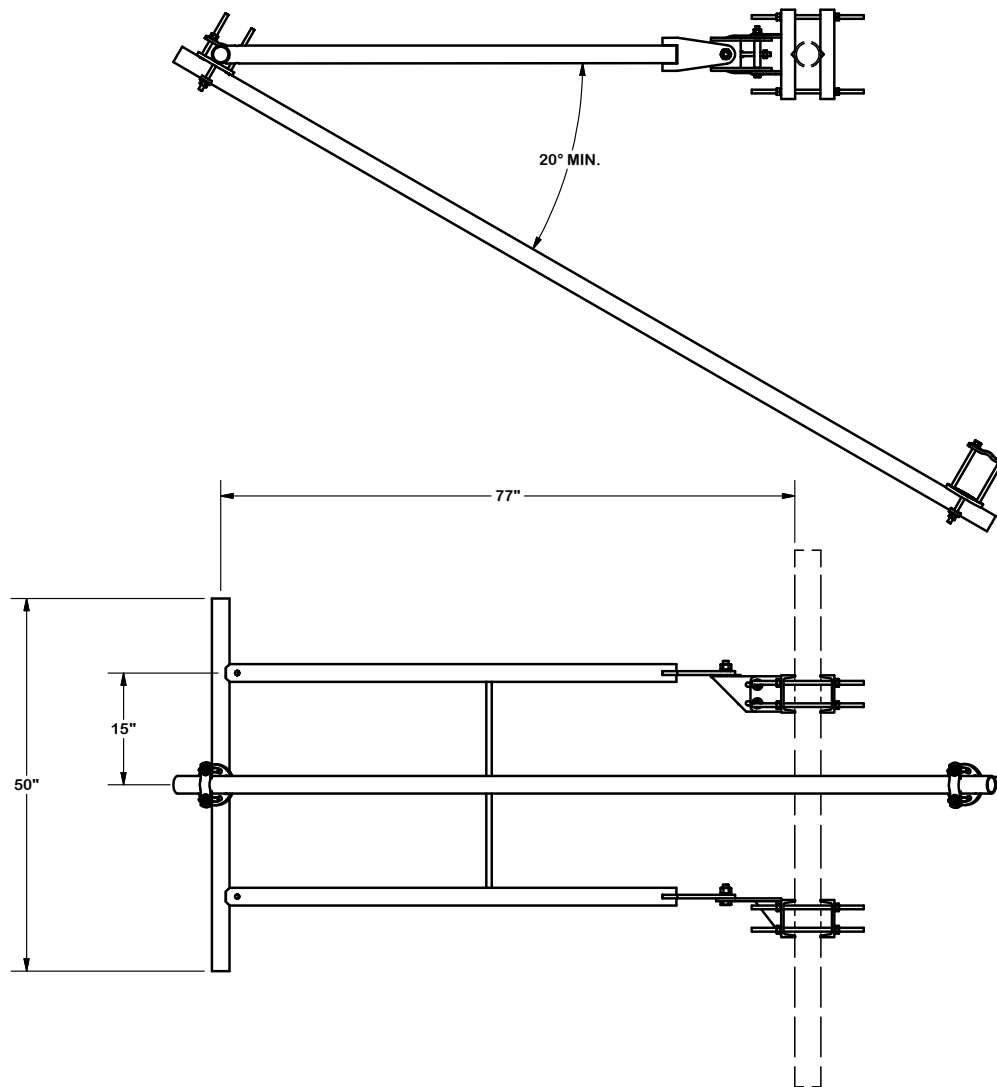
Engineering Support Team:
 1-888-753-7446

Locations:
 New York, NY
 Atlanta, GA
 Los Angeles, CA
 Plymouth, IN
 Salem, OR
 Dallas, TX

A valmont COMPANY

PART NO.	PSA6
DWG. NO.	PSA6

1 OF 2



TOLERANCE NOTES

TOLERANCES ON DIMENSIONS, UNLESS OTHERWISE NOTED ARE:
 SAWED, SHEARED AND GAS CUT EDGES ($\pm 0.030"$)
 DRILLED AND GAS CUT HOLES ($\pm 0.030"$) - NO CONING OF HOLES
 LASER CUT EDGES AND HOLES ($\pm 0.010"$) - NO CONING OF HOLES
 BENDS ARE $\pm 1/2$ DEGREE
 ALL OTHER MACHINING ($\pm 0.030"$)
 ALL OTHER ASSEMBLY ($\pm 0.060"$)

PROPRIETARY NOTE:
 THE DATA AND TECHNIQUES CONTAINED IN THIS DRAWING ARE PROPRIETARY INFORMATION OF VALMONT INDUSTRIES AND CONSIDERED A TRADE SECRET. ANY USE OR DISCLOSURE WITHOUT THE CONSENT OF VALMONT INDUSTRIES IS STRICTLY PROHIBITED.

DESCRIPTION
 6' SIDE ARM
 (PSA6)

SITE PRO 1
 A valmont COMPANY

Locations:
 New York, NY
 Atlanta, GA
 Los Angeles, CA
 Plymouth, IN
 Salem, OR
 Dallas, TX

Engineering Support Team:
 1-888-753-7446

B	CHNAGED SIDEARM LEG CONNECTION		CEK	6/8/2017
A	P1126 CHANGED TO P2126	4749	CEK	11/13/2015
REV	DESCRIPTION OF REVISIONS	CPD	BY	DATE
REVISION HISTORY				

CPD NO.	4749	DRAWN BY	CEK	9/1/2010	ENG. APPROVAL
CLASS		DRAWING USAGE	CUSTOMER	CHECKED BY	BMC 7/6/2017

PART NO.	PSA6	PAGE	2 OF 2
DWG. NO.	PSA6		