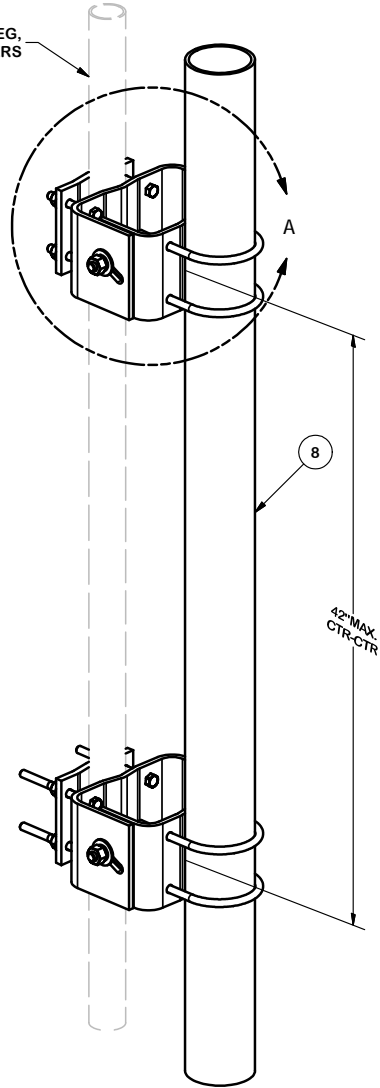
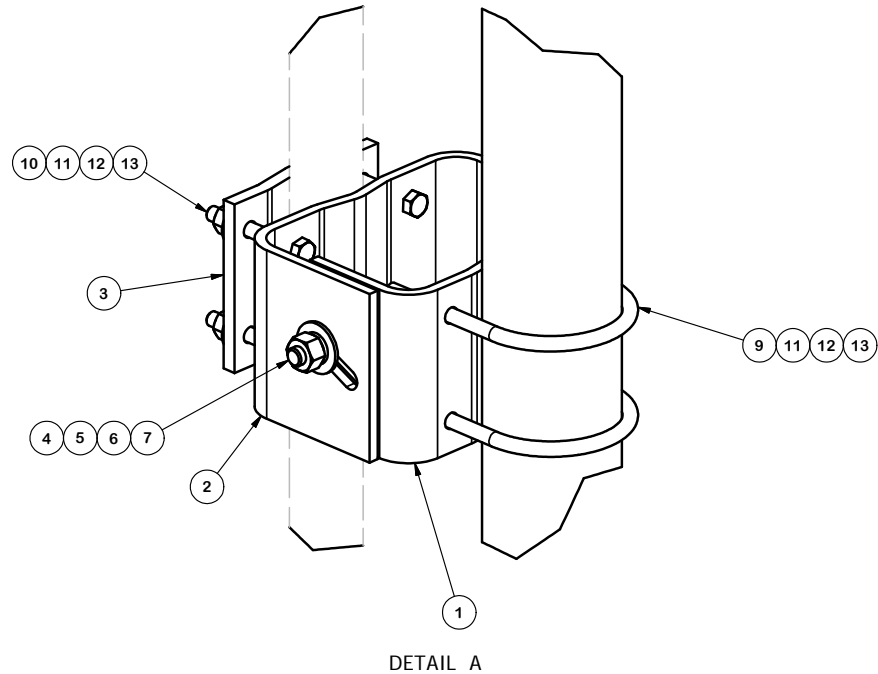


TOWER LEG,
1-1/2" to 4-1/2" O.D. MEMBERS



PARTS LIST						
ITEM	QTY	PART NO.	PART DESCRIPTION	LENGTH	UNIT WT.	NET WT.
1	2	X-154463	UNIVERSAL PIPE MOUNTING PLATE (INNER)	16 11/32 in	10.52	21.03
2	2	X-155561	UNIVERSAL PIPE MOUNTING PLATE (OUTER)	20 9/32 in	13.16	26.31
3	2	X-159999	BACKING PLATE	6 9/16 in	5.73	11.46
4	4	G5802	5/8" x 2" HDG HEX BOLT GR5		0.27	1.08
5	4	G58FW	5/8" HDG USS FLATWASHER	1/8 in	0.07	0.28
6	4	G58LW	5/8" HDG LOCKWASHER	5/32 in	0.03	0.10
7	4	G58NUT	5/8" HDG HEAVY 2H HEX NUT	5/8 in	0.13	0.52
8	1	P472	4-1/2" X 72" SCH. 40 GALVANIZED PIPE		64.89	64.89
9	4	X-UB1458	1/2" X 4-5/8" X 7" X 3" GALV U-BOLT		0.97	3.89
10	8	G1204	1/2" x 4" HDG HEX BOLT GR5 FULL THREAD	4 in	0.27	2.16
10	8	G12065	1/2" x 6-1/2" HDG HEX BOLT GR5 FULL THREAD	6 1/2 in	0.41	3.28
11	16	G12FW	1/2" HDG USS FLATWASHER	3/32 in	0.03	0.55
12	16	G12LW	1/2" HDG LOCKWASHER	1/8 in	0.01	0.22
13	16	G12NUT	1/2" HDG HEAVY 2H HEX NUT		0.07	1.15
					TOTAL WT. #	136.92



DETAIL A

TAPER NOTE:
THE MAXIMUM TAPER ADJUSTMENT IS 5.7° BASED UPON
30" SPACING OF ADJUSTABLE MOUNTING BRACKETS.

THE MAXIMUM TAPER ADJUSTMENT IS 3.8° BASED UPON
45" SPACING OF ADJUSTABLE MOUNTING BRACKET.

TOLERANCE NOTES

TOLERANCES ON DIMENSIONS, UNLESS OTHERWISE NOTED ARE:
SAWED, SHEARED AND GAS CUT EDGES ($\pm 0.030"$)
DRILLED AND GAS CUT HOLES ($\pm 0.030"$) - NO CONING OF HOLES
LASER CUT EDGES AND HOLES ($\pm 0.010"$) - NO CONING OF HOLES
BENDS ARE $\pm 1/2$ DEGREE
ALL OTHER MACHINING ($\pm 0.030"$)
ALL OTHER ASSEMBLY ($\pm 0.060"$)

PROPRIETARY NOTE:
THE DATA AND TECHNIQUES CONTAINED IN THIS DRAWING ARE PROPRIETARY INFORMATION OF VALMONT
INDUSTRIES AND CONSIDERED A TRADE SECRET. ANY USE OR DISCLOSURE WITHOUT THE CONSENT OF
VALMONT INDUSTRIES IS STRICTLY PROHIBITED.

DESCRIPTION
**R5 UNIVERSAL PIPE MOUNT KIT
WITH 4-1/2" PIPE**

CPD NO. 4718	DRAWN BY RH18 3/29/2010	ENG. APPROVAL
CLASS 81	SUB 01	DRAWING USAGE CUSTOMER
		CHECKED BY BMC 11/12/2015



Locations:
New York, NY
Atlanta, GA
Los Angeles, CA
Plymouth, IN
Salem, OR
Dallas, TX

Engineering
Support Team:
1-888-753-7446

PART NO. R5	1 OF 1
DWG. NO. R5	