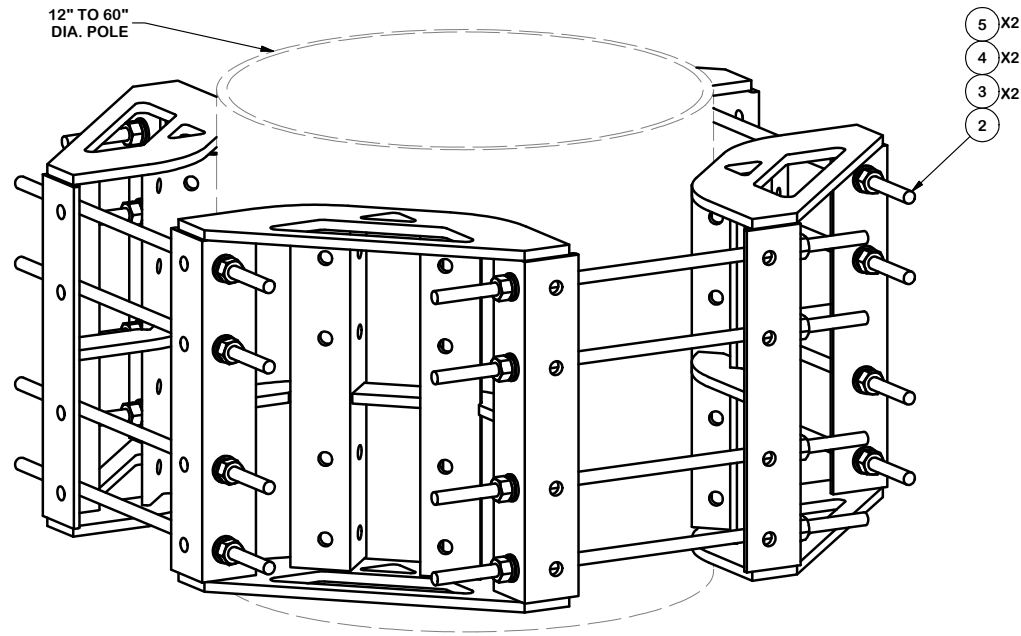


PARTS LIST						
ITEM	QTY	PART NO.	PART DESCRIPTION	LENGTH	UNIT WT.	NET WT.
1	4	X-RM4HD	WELDMENT FOR 4-SIDED HEAVY DUTY RING MOUNT		71.27	285.08
2	16	G58R-48	5/8" X 48" THREADED ROD (HDG.)		4.43	70.92
2	16	G58R-24	5/8" X 24" THREADED ROD (HDG.)		2.22	35.46
3	32	A58FW	5/8" HDG A325 FLATWASHER		0.03	1.09
4	32	G58LW	5/8" HDG LOCKWASHER		0.03	0.83
5	32	A58NUT	5/8" HDG A325 HEX NUT		0.13	4.16
					TOTAL WT. #	384.60



TOLERANCE NOTES

TOLERANCES ON DIMENSIONS, UNLESS OTHERWISE NOTED ARE:
 SAWED, SHEARED AND GAS CUT EDGES ($\pm 0.030"$)
 DRILLED AND GAS CUT HOLES ($\pm 0.030"$) - NO CONING OF HOLES
 LASER CUT EDGES AND HOLES ($\pm 0.010"$) - NO CONING OF HOLES
 BENDS ARE $\pm 1/2$ DEGREE
 ALL OTHER MACHINING ($\pm 0.030"$)
 ALL OTHER ASSEMBLY ($\pm 0.060"$)

PROPRIETARY NOTE:
 THE DATA AND TECHNIQUES CONTAINED IN THIS DRAWING ARE PROPRIETARY INFORMATION OF VALMONT INDUSTRIES AND CONSIDERED A TRADE SECRET. ANY USE OR DISCLOSURE WITHOUT THE CONSENT OF VALMONT INDUSTRIES IS STRICTLY PROHIBITED.

DESCRIPTION

HEAVY DUTY QUAD BRACKET RING MOUNT
 12" TO 60" DIAMETER POLE

CPD NO.	DRAWN BY CEK	6/5/2017	ENG. APPROVAL
CLASS 81	SUB 02	DRAWING USAGE CUSTOMER	CHECKED BY BMC 6/5/2017



Engineering
 Support Team:
 1-888-753-7446

Locations:
 New York, NY
 Atlanta, GA
 Los Angeles, CA
 Plymouth, IN
 Salem, OR
 Dallas, TX

PART NO.	RM4-HD	PAGE 1 OF 1
DWG. NO.	RM4-HD	