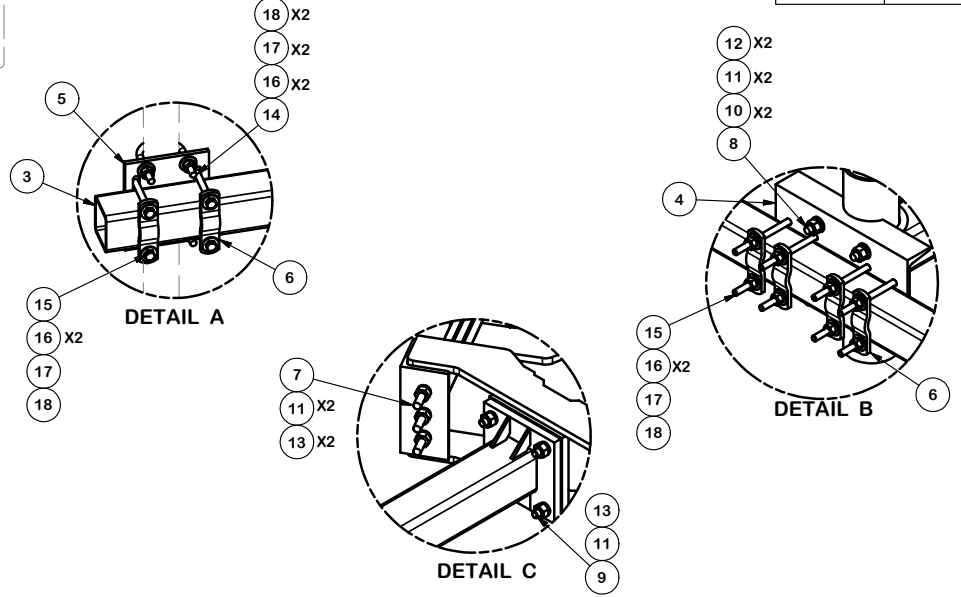


PARTS LIST						
ITEM	QTY	PART NO.	PART DESCRIPTION	LENGTH	UNIT WT.	NET WT.
1	3	X-LWRM	RING MOUNT WELDMENT		68.81	206.42
2	3	X-SV197-36	SUPPORT ARM WELDMENT - 36"		67.93	203.80
3	3	SQ3150	3 1/2" X 150" SQUARE TUBE	150 in	108.08	324.24
4	3	X-SP216	LARGE SUPPORT CROSS PLATE		20.83	62.48
5	12	SCX4	CROSSOVER PLATE	8 1/2 in	6.02	72.26
6	36	X-100064	CLAMP (4" V-CLAMP) GALVANIZED		0.91	32.86
7	9	G58R-24	5/8" x 24" THREADED ROD (HDG.)	24 in	0.40	3.59
7	9	G58R-14	5/8" x 14" THREADED ROD (HDG.)		0.40	3.59
8	6	X-UB5458	5/8" X 4-5/8" X 7" X 3" U-BOLT (HDG.)		1.54	9.21
9	12	A58234	5/8" x 2-3/4" HDG A325 HEX BOLT	2 3/4 in	0.36	4.27
10	12	A58FW	5/8" HDG A325 FLATWASHER		0.03	0.41
11	42	G58LW	5/8" HDG LOCKWASHER		0.03	1.10
12	12	A58NUT	5/8" HDG A325 HEX NUT		0.13	1.56
13	30	G58NUT	5/8" HDG HEAVY 2H HEX NUT		0.13	3.90
14	24	X-UB1300	1/2" X 3" X 5" X 2" U-BOLT (HDG.)		0.70	16.72
14	24	X-UB1212	1/2" X 2-1/2" X 4-1/2" X 2" U-BOLT (HDG.)		0.63	15.00
15	72	G12065	1/2" x 6-1/2" HDG HEX BOLT GR5 FULL THREAD	6 1/2 in	0.41	29.48
16	192	G12FW	1/2" HDG USS FLATWASHER	3/32 in	0.03	6.54
17	120	G12LW	1/2" HDG LOCKWASHER	1/8 in	0.01	1.67
18	120	G12NUT	1/2" HDG HEAVY 2H HEX NUT		0.07	8.60
					TOTAL WT. #	1030.33



TOLERANCE NOTES

TOLERANCES ON DIMENSIONS, UNLESS OTHERWISE NOTED ARE:
 SAWED, SHEARED AND GAS CUT EDGES ($\pm 0.030"$)
 DRILLED AND GAS CUT HOLES ($\pm 0.030"$) - NO CONING OF HOLES
 LASER CUT EDGES AND HOLES ($\pm 0.010"$) - NO CONING OF HOLES
 BENDS ARE $\pm 1/2$ DEGREE
 ALL OTHER MACHINING ($\pm 0.030"$)
 ALL OTHER ASSEMBLY ($\pm 0.060"$)

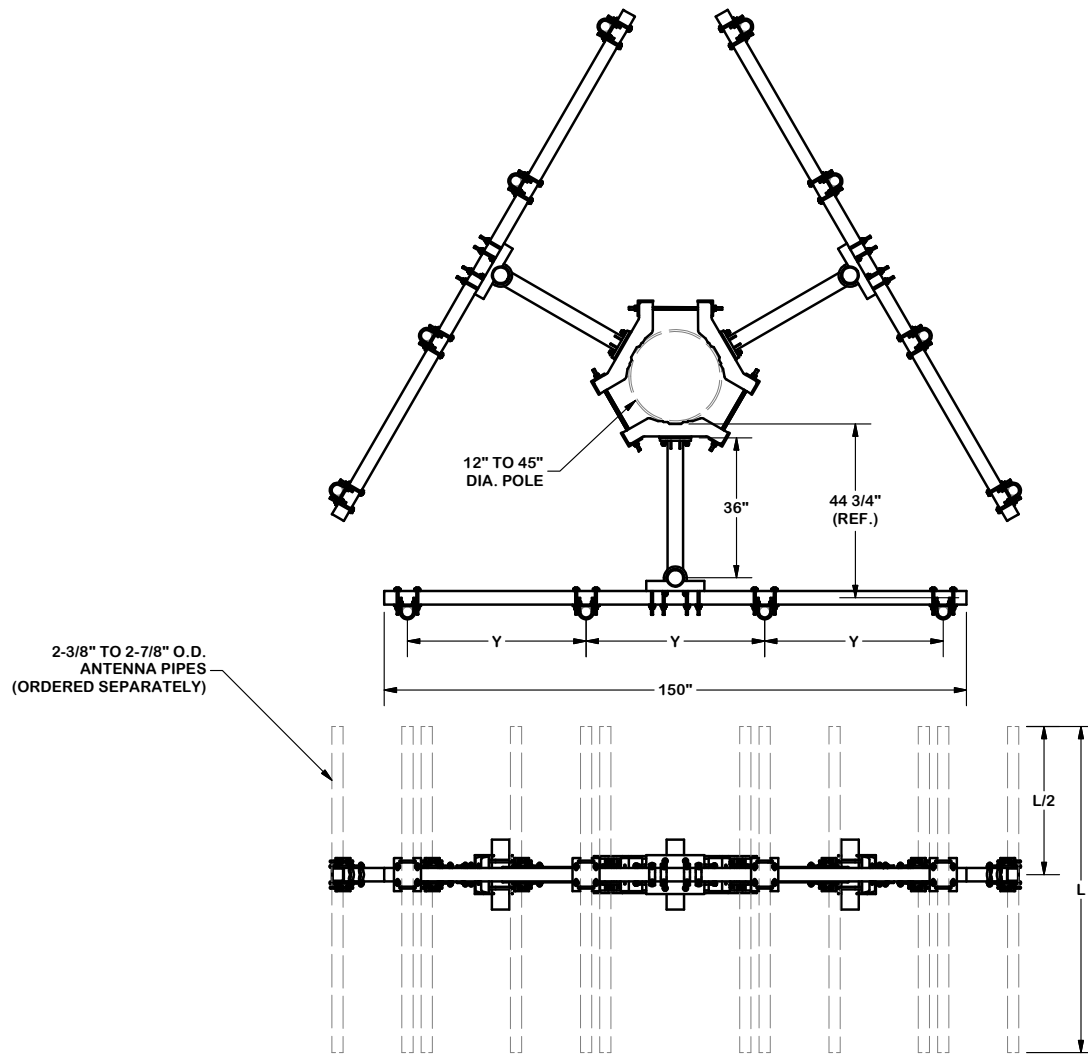
PROPRIETARY NOTE:
 THE DATA AND TECHNIQUES CONTAINED IN THIS DRAWING ARE PROPRIETARY INFORMATION OF VALMONT INDUSTRIES AND CONSIDERED A TRADE SECRET. ANY USE OR DISCLOSURE WITHOUT THE CONSENT OF VALMONT INDUSTRIES IS STRICTLY PROHIBITED.

DESCRIPTION
**MONOPOLE TRIPLE T-ARM
 FOR 12 ANTENNAS**

SITE PRO 1
 A valmont COMPANY
 Engineering Support Team:
 1-888-753-7446
 Locations:
 New York, NY
 Atlanta, GA
 Los Angeles, CA
 Plymouth, IN
 Salem, OR
 Dallas, TX

CPD NO.	DRAWN BY CEK 4/28/2017	ENG. APPROVAL
CLASS 81	SUB 01	DRAWING USAGE CUSTOMER
	CHECKED BY BMC 5/12/2017	

PART NO.	RMV12-SQNP	PAGE 1 OF 2
DWG. NO.	RMV12-SQNP	



TOLERANCE NOTES

TOLERANCES ON DIMENSIONS, UNLESS OTHERWISE NOTED ARE:
 SAWED, SHEARED AND GAS CUT EDGES ($\pm 0.030"$)
 DRILLED AND GAS CUT HOLES ($\pm 0.030"$) - NO CONING OF HOLES
 LASER CUT EDGES AND HOLES ($\pm 0.010"$) - NO CONING OF HOLES
 BENDS ARE $\pm 1/2$ DEGREE
 ALL OTHER MACHINING ($\pm 0.030"$)
 ALL OTHER ASSEMBLY ($\pm 0.060"$)

PROPRIETARY NOTE:
 THE DATA AND TECHNIQUES CONTAINED IN THIS DRAWING ARE PROPRIETARY INFORMATION OF VALMONT INDUSTRIES AND CONSIDERED A TRADE SECRET. ANY USE OR DISCLOSURE WITHOUT THE CONSENT OF VALMONT INDUSTRIES IS STRICTLY PROHIBITED.

DESCRIPTION
**MONOPOLE TRIPLE T-ARM
 FOR 12 ANTENNAS**

CPD NO.	DRAWN BY CEK 4/28/2017	ENG. APPROVAL
CLASS 81	SUB 01	DRAWING USAGE CUSTOMER
CHECKED BY BMC 5/12/2017		

SITE PRO 1
 A valmont COMPANY

Locations:
 New York, NY
 Atlanta, GA
 Los Angeles, CA
 Plymouth, IN
 Salem, OR
 Dallas, TX

Engineering Support Team:
 1-888-753-7446

PART NO.	RMV12-SQNP	PAGE 2 OF 2
DWG. NO.	RMV12-SQNP	