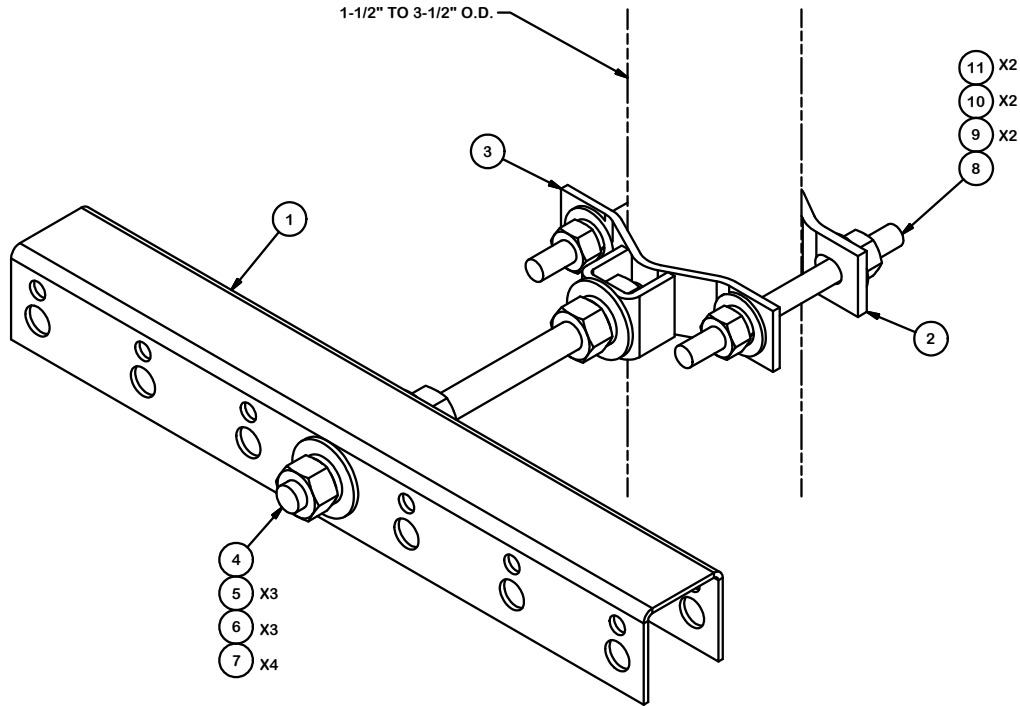


PARTS LIST						
ITEM	QTY	PART NO.	PART DESCRIPTION	LENGTH	UNIT WT.	NET WT.
1	1	X-RRUUT12	12 RUN CHANNEL FOR RRU-UT12	18 in	4.03	4.03
2	1	ACP	4-1/16" CLAMP HALF, 1/4" THK.	5 3/4 in	0.65	0.65
3	1	SAM	STIFF ARM MOUNT CLAMP		0.77	0.77
4	1	G58R-10	5/8" x 10" THREADED ROD (HDG.)		0.87	0.87
5	3	G58FW	5/8" HDG USS FLATWASHER	1/8 in	0.07	0.21
6	3	G58LW	5/8" HDG LOCKWASHER		0.03	0.08
7	4	G58NUT	5/8" HDG HEAVY 2H HEX NUT		0.13	0.52
8	2	G12R-6	1/2" x 6" THREADED ROD (HDG.)		0.33	0.67
9	4	G12FW	1/2" HDG USS FLATWASHER	3/32 in	0.03	0.14
10	4	G12LW	1/2" HDG LOCKWASHER	1/8 in	0.01	0.06
11	4	G12NUT	1/2" HDG HEAVY 2H HEX NUT		0.07	0.29
					TOTAL WT. #	8.28



TOLERANCE NOTES

TOLERANCES ON DIMENSIONS, UNLESS OTHERWISE NOTED ARE:
 SAWED, SHEARED AND GAS CUT EDGES (± 0.030)
 DRILLED AND GAS CUT HOLES (± 0.030) - NO CONING OF HOLES
 LASER CUT EDGES AND HOLES (± 0.010) - NO CONING OF HOLES
 BENDS AND ANGLES ARE $\pm 1/2$ DEGREE
 ALL OTHER MACHINING (± 0.030)
 ALL OTHER ASSEMBLY (± 0.060)

PROPRIETARY NOTE:
 THE DATA AND TECHNIQUES CONTAINED IN THIS DRAWING ARE PROPRIETARY INFORMATION OF VALMONT INDUSTRIES AND CONSIDERED A TRADE SECRET. ANY USE OR DISCLOSURE WITHOUT THE CONSENT OF VALMONT INDUSTRIES IS STRICTLY PROHIBITED.

DESCRIPTION
 RRU CABLE SUPPORT BRACKET
 12 RUNS

CPD NO.	DRAWN BY	ENG. APPROVAL
CLASS	DRAWING USAGE	CHECKED BY
81	02	CUSTOMER
		BMC 7/17/2019

SITE PRO 1
 A valmont COMPANY
 Locations:
 New York, NY
 Atlanta, GA
 Los Angeles, CA
 Plymouth, IN
 Salem, OR
 Dallas, TX
 Tampa, FL
 Engineering Support Team:
 1-888-753-7446

PART NO.	RRU-UT12	PAGE
DWG. NO.	RRU-UT12	1 OF 1