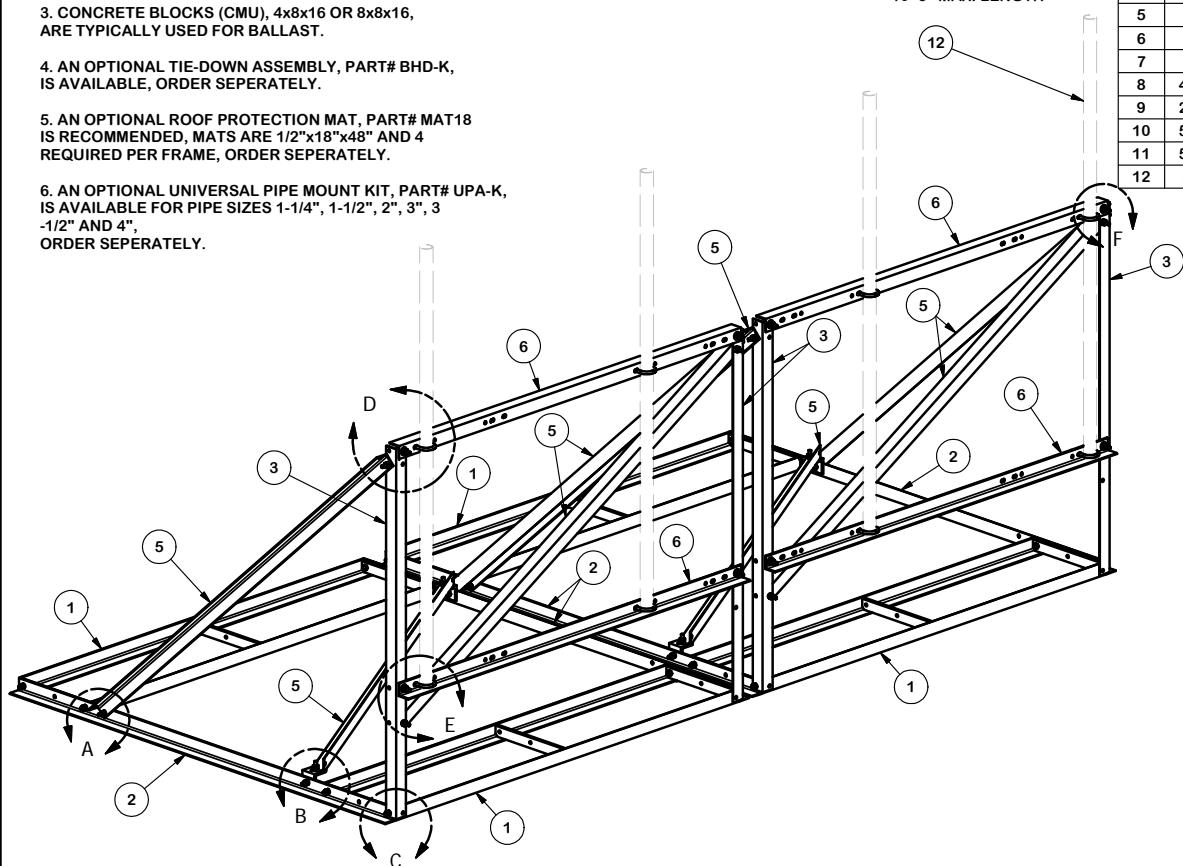


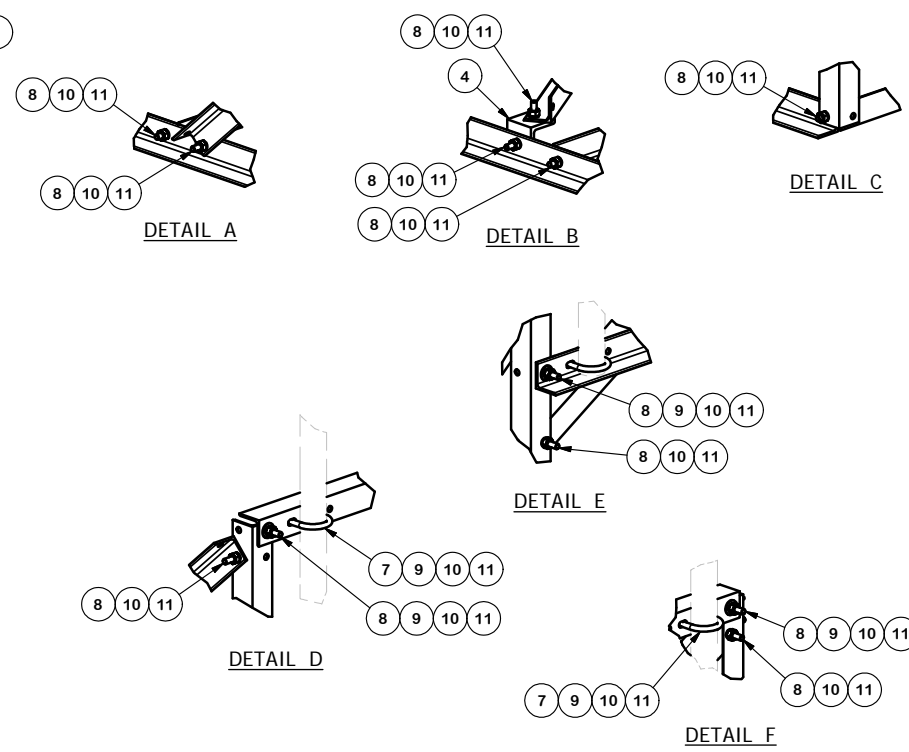
NOTES:

- SEE SHEETS 2 FOR BALLAST LOADING FORMULA.
- THE MOUNTING FRAME IS DESIGNED TO ACCEPT A MAXIMUM OF FOUR ANTENNA PIPES.
- CONCRETE BLOCKS (CMU), 4x8x16 OR 8x8x16, ARE TYPICALLY USED FOR BALLAST.
- AN OPTIONAL TIE-DOWN ASSEMBLY, PART# BHD-K, IS AVAILABLE, ORDER SEPERATELY.
- AN OPTIONAL ROOF PROTECTION MAT, PART# MAT18 IS RECOMMENDED, MATS ARE 1/2"x18"x48" AND 4 REQUIRED PER FRAME, ORDER SEPERATELY.
- AN OPTIONAL UNIVERSAL PIPE MOUNT KIT, PART# UPA-K, IS AVAILABLE FOR PIPE SIZES 1-1/4", 1-1/2", 2", 3", 3-1/2" AND 4", ORDER SEPERATELY.

ACCEPTS 2-3/8" DIA. PIPES, 10'-6" MAX. LENGTH



PARTS LIST						
ITEM	QTY	PART NO.	PART DESCRIPTION	LENGTH	UNIT WT.	NET WT.
1	4	X-232696	BALLAST TRAY WELDMENT - SITE PRO 1		66.53	266.13
2	4	X-232699	SIDE BASE ANGLE 95" LENGTH - SITE PRO 1		25.76	103.03
3	4	X-232700	VERTICAL ANGLE 70-9/16" LENGTH - SITE PRO 1		19.08	76.30
4	4	SHCM-T	CHAIN MOUNT TIGHTENER BRACKET		1.84	7.36
5	8	X-232702	SUPPORT ANGLE 99-1/8" LENGTH - SITE PRO 1		26.94	215.50
6	4	X-232701	HORIZONTAL FACE ANGLE 86-1/2" LENGTH - SITE PRO 1		23.22	92.89
7	8	X-UB1212	1/2" X 2-1/2" X 4-1/2" X 2" GALV. U-BOLT		0.66	5.25
8	42	G1202	1/2" x 2" HDG HEX BOLT GR5		0.18	7.38
9	24	G12FW	1/2" HDG USS FLATWASHER		0.03	0.82
10	58	G12LW	1/2" HDG LOCKWASHER		0.01	0.81
11	58	G12NUT	1/2" HDG HEAVY 2H HEX NUT		0.07	4.15
12	B	C	2-3/8" O.D. VERTICAL MOUNTING PIPE	D	E	F



VARIABLE MOUNTING PIPES						
ASSEMBLY "A"	QTY "B"	PART "C"	LENGTH "D"	UNIT WT. "E"	NET WT. "F"	TOTAL WEIGH
RTW-14	0	---	---	---	---	779.03
RTW-14-4-96	4	P296	96"	30.76	123.04	902.07
RTW-14-4-126	4	P2126	126"	41.37	165.48	944.51

REV	DESCRIPTION OF REVISIONS	CPD	BY	DATE
B	ADDED VARIABLE TABLE		KC8	06/06/2012
A	UPDATE BALLAST EQUATION	4893	BMC	5/17/2011
REV	DESCRIPTION OF REVISIONS	CPD	BY	DATE

TOLERANCE NOTES
 TOLERANCES ON DIMENSIONS, UNLESS OTHERWISE NOTED ARE:
 SAWED, SHEARED AND GAS CUT EDGES ($\pm 0.030"$)
 DRILLED AND GAS CUT HOLES ($\pm 0.030"$) - NO CONING OF HOLES
 LASER CUT EDGES AND HOLES ($\pm 0.010"$) - NO CONING OF HOLES
 BENDS ARE $\pm 1/2$ DEGREE
 ALL OTHER MACHINING ($\pm 0.030"$)
 ALL OTHER ASSEMBLY ($\pm 0.060"$)

PROPRIETARY NOTE:
 THE DATA AND TECHNIQUES CONTAINED IN THIS DRAWING ARE PROPRIETARY INFORMATION OF VALMONT INDUSTRIES AND CONSIDERED A TRADE SECRET. ANY USE OR DISCLOSURE WITHOUT THE CONSENT OF VALMONT INDUSTRIES IS STRICTLY PROHIBITED.

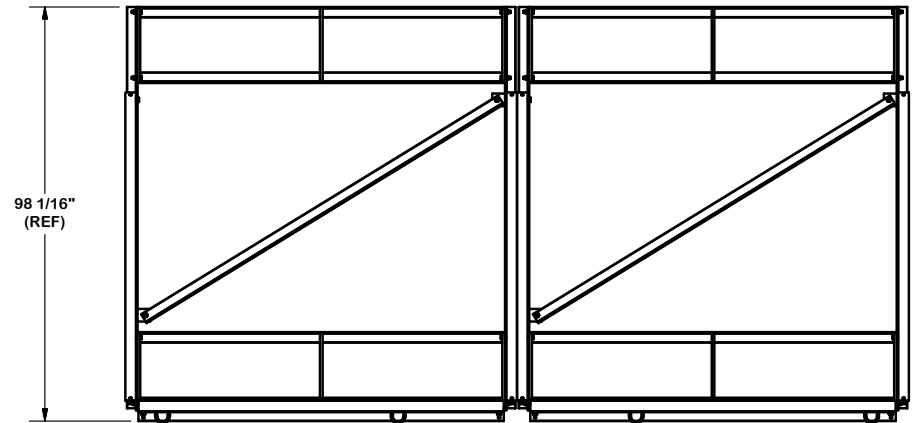
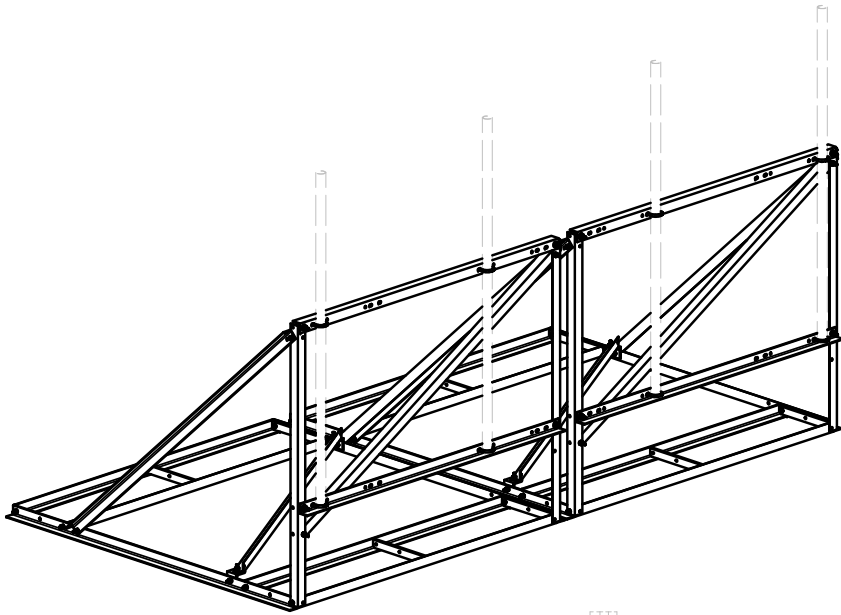
DESCRIPTION		
14' NON-PENETRATING ROOF MOUNT SITE PRO 1		
CPD NO.	DRAWN BY	ENG. APPROVAL
4893	RH18 12/16/2010	
CLASS	DRAWING USAGE	CHECKED BY
81	CUSTOMER	CEK 7/10/2012

A valmont COMPANY

Locations:
 New York, NY
 Atlanta, GA
 Los Angeles, CA
 Plymouth, IN
 Salem, OR
 Dallas, TX

Engineering Support Team:
 1-888-753-7446

PART NO.	SEE ASSEMBLY "A"	PAGE
DWG. NO.	RTW-14	1 OF 2

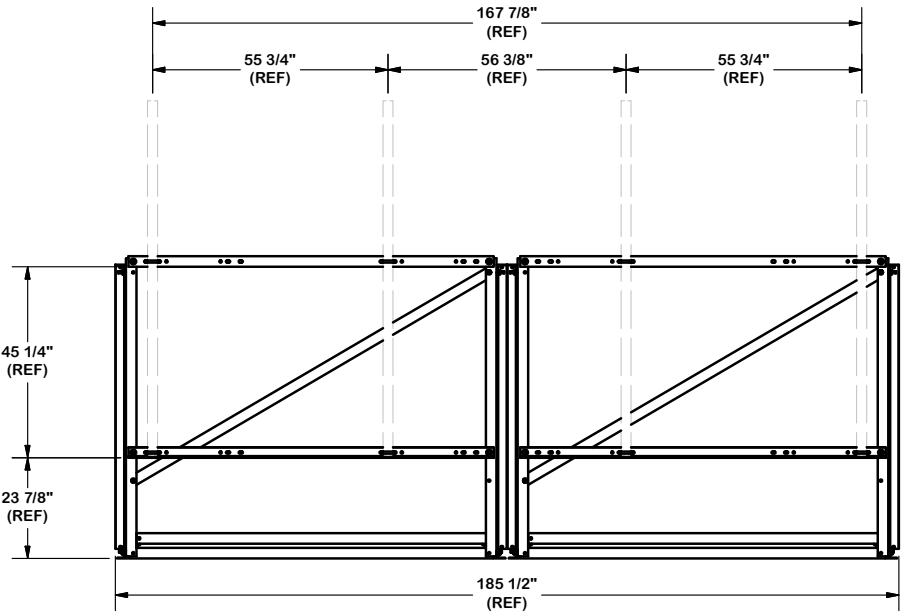
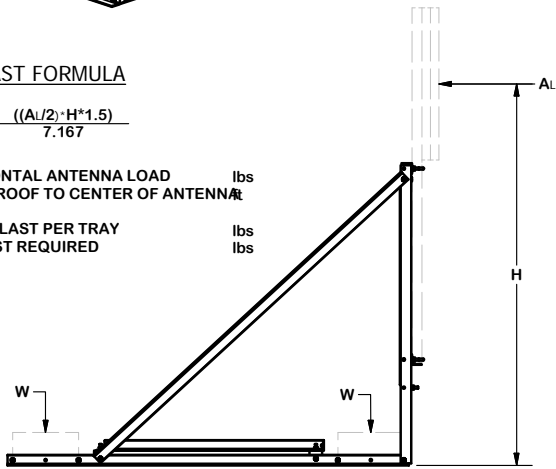


BALLAST FORMULA

$$W = \frac{((A/2) \cdot H \cdot 1.5)}{7.167}$$

AL = TOTAL HORIZONTAL ANTENNA LOAD lbs
 H = HEIGHT FROM ROOF TO CENTER OF ANTENNA

W = REQUIRED BALLAST PER TRAY lbs
 W (4) = TOTAL BALLAST REQUIRED lbs



TOLERANCE NOTES

TOLERANCES ON DIMENSIONS, UNLESS OTHERWISE NOTED ARE:
 SAWED, SHEARED AND GAS CUT EDGES (± 0.030)
 DRILLED AND GAS CUT HOLES (± 0.030) - NO CONING OF HOLES
 LASER CUT EDGES AND HOLES (± 0.010) - NO CONING OF HOLES
 BENDS ARE $\pm 1/2$ DEGREE
 ALL OTHER MACHINING (± 0.030)
 ALL OTHER ASSEMBLY (± 0.060)

PROPRIETARY NOTE:
 THE DATA AND TECHNIQUES CONTAINED IN THIS DRAWING ARE PROPRIETARY INFORMATION OF VALMONT INDUSTRIES AND CONSIDERED A TRADE SECRET. ANY USE OR DISCLOSURE WITHOUT THE CONSENT OF VALMONT INDUSTRIES IS STRICTLY PROHIBITED.

DESCRIPTION
 14' NON-PENETRATING
 ROOF MOUNT
 SITE PRO 1

SITE PRO 1
 Engineering Support Team:
 1-888-753-7446
 Locations:
 New York, NY
 Atlanta, GA
 Los Angeles, CA
 Plymouth, IN
 Salem, OR
 Dallas, TX

REV	DESCRIPTION OF REVISIONS	CPD	BY	DATE
B	ADDED VARIABLE TABLE		KC8	06/06/2012
A	UPDATE BALLAST EQUATION	4893	BMC	5/17/2011

CPD NO. 4893	DRAWN BY RH18 12/16/2010	ENG. APPROVAL
CLASS 81	SUB 01	DRAWING USAGE CUSTOMER
CHECKED BY CEK 7/10/2012		

PART NO. SEE ASSEMBLY "A"	PAGE 2 OF 2
DWG. NO. RTW-14	