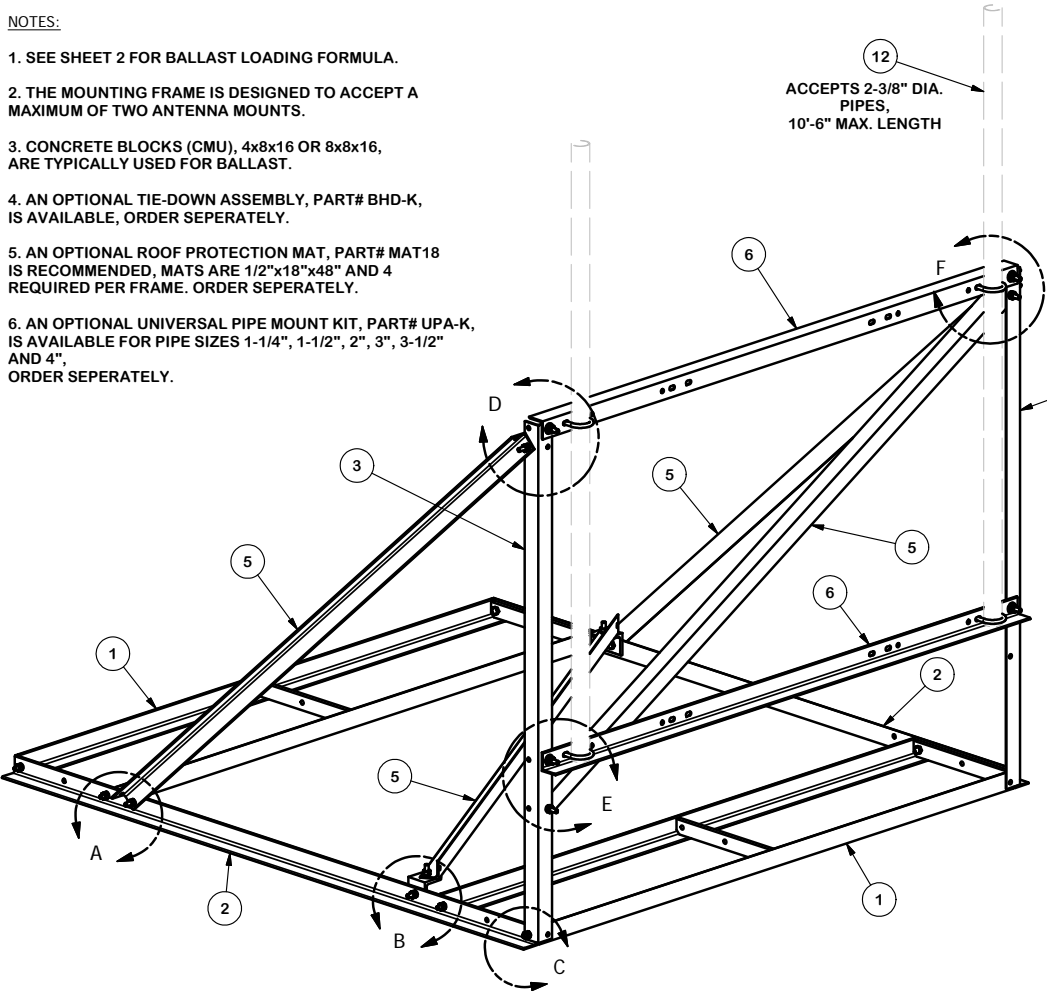
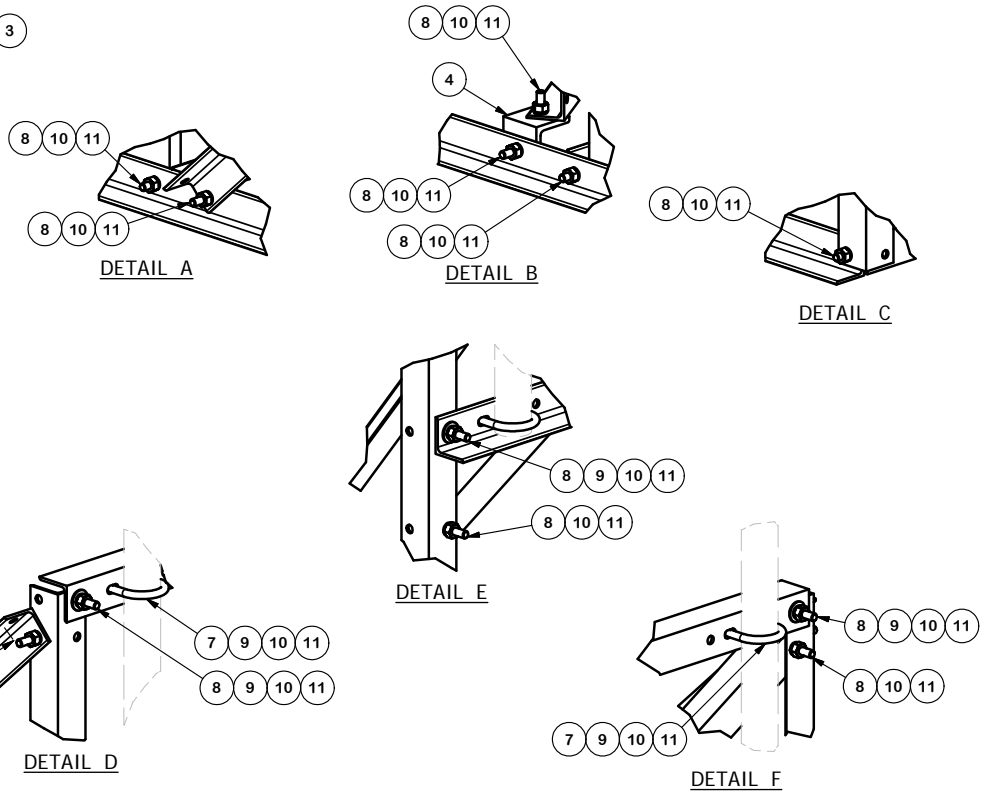


NOTES:

- SEE SHEET 2 FOR BALLAST LOADING FORMULA.
- THE MOUNTING FRAME IS DESIGNED TO ACCEPT A MAXIMUM OF TWO ANTENNA MOUNTS.
- CONCRETE BLOCKS (CMU), 4x8x16 OR 8x8x16, ARE TYPICALLY USED FOR BALLAST.
- AN OPTIONAL TIE-DOWN ASSEMBLY, PART# BHD-K, IS AVAILABLE, ORDER SEPERATELY.
- AN OPTIONAL ROOF PROTECTION MAT, PART# MAT18 IS RECOMMENDED, MATS ARE 1/2"x18"x48" AND 4 REQUIRED PER FRAME. ORDER SEPERATELY.
- AN OPTIONAL UNIVERSAL PIPE MOUNT KIT, PART# UPA-K, IS AVAILABLE FOR PIPE SIZES 1-1/4", 1-1/2", 2", 3", 3-1/2" AND 4", ORDER SEPERATELY.



PARTS LIST						
ITEM	QTY	PART NO.	PART DESCRIPTION	LENGTH	UNIT WT.	NET WT.
1	2	X-232696	BALLAST TRAY WELDMENT - SITE PRO 1		66.53	133.06
2	2	X-232699	SIDE BASE ANGLE 95" LENGTH - SITE PRO 1		25.76	51.52
3	2	X-232700	VERTICAL ANGLE 70-9/16" LENGTH - SITE PRO 1		19.08	38.15
4	2	SHCM-T	CHAIN MOUNT TIGHTENER BRACKET		1.84	3.68
5	4	X-232702	SUPPORT ANGLE 99-1/8" LENGTH - SITE PRO 1		26.94	107.75
6	2	X-232701	HORIZONTAL FACE ANGLE 86-1/2" LENGTH - SITE PRO 1		23.22	46.45
7	4	X-UB1212	1/2" X 2-1/2" X 4-1/2" X 2" GALV. U-BOLT		0.66	2.63
8	21	G1202	1/2" x 2" HDG HEX BOLT GR5		0.18	3.69
9	12	G12FW	1/2" HDG USS FLATWASHER		0.03	0.41
10	29	G12LW	1/2" HDG LOCKWASHER		0.01	0.40
11	29	G12NUT	1/2" HDG HEAVY 2H HEX NUT		0.07	2.08
12	B	C	2-3/8" O.D. VERTICAL MOUNTING PIPE	D	E	F



VARIABLE MOUNTING PIPES						
ASSEMBLY "A"	QTY "B"	PART "C"	LENGTH "D"	UNIT WT. "E"	NET WT. "F"	TOTAL WEIGH
RTW-7	0	---	---	---	---	389.51
RTW-7-2-96	2	P296	96"	30.76	61.52	451.03
RTW-7-2-126	2	P2126	126"	40.37	80.74	470.25

REV	DESCRIPTION OF REVISIONS	CPD	BY	DATE
B	ADDED VARIABLE TABLE		KC8	06/06/2012
A	UPDATE BALLAST EQUATION	4893	BMC	5/17/2011
REVISION HISTORY				

TOLERANCE NOTES
 TOLERANCES ON DIMENSIONS, UNLESS OTHERWISE NOTED ARE:
 SAWED, SHEARED AND GAS CUT EDGES ($\pm 0.030"$)
 DRILLED AND GAS CUT HOLES ($\pm 0.030"$) - NO CONING OF HOLES
 LASER CUT EDGES AND HOLES ($\pm 0.010"$) - NO CONING OF HOLES
 BENDS ARE $\pm 1/2$ DEGREE
 ALL OTHER MACHINING ($\pm 0.030"$)
 ALL OTHER ASSEMBLY ($\pm 0.060"$)

PROPRIETARY NOTE:
 THE DATA AND TECHNIQUES CONTAINED IN THIS DRAWING ARE PROPRIETARY INFORMATION OF VALMONT INDUSTRIES AND CONSIDERED A TRADE SECRET. ANY USE OR DISCLOSURE WITHOUT THE CONSENT OF VALMONT INDUSTRIES IS STRICTLY PROHIBITED.

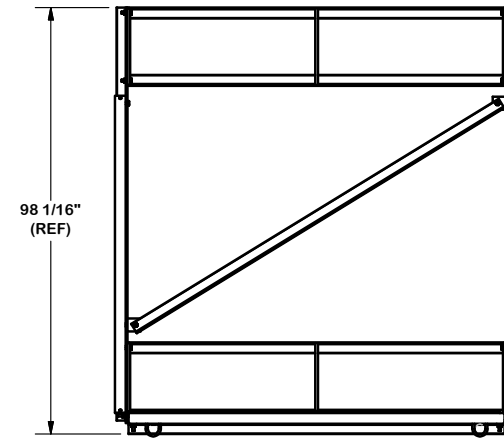
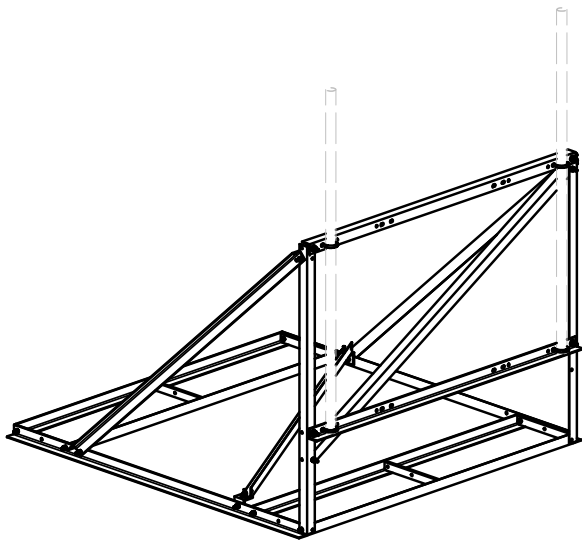
DESCRIPTION	
7" NON-PENETRATING ROOF MOUNT SITE PRO 1	
CPD NO.	DRAWN BY
4893	RH18 12/6/2010
CLASS	DRAWING USAGE
81	CUSTOMER
SUB	ENG. APPROVAL
01	CEK 7/10/2012

Engineering Support Team:
1-888-753-7446

A valmont COMPANY

Locations:
New York, NY
Atlanta, GA
Los Angeles, CA
Plymouth, IN
Salem, OR
Dallas, TX

PART NO.	SEE ASSEMBLY "A"	PAGE
DWG. NO.	RTW-7	1 OF 2

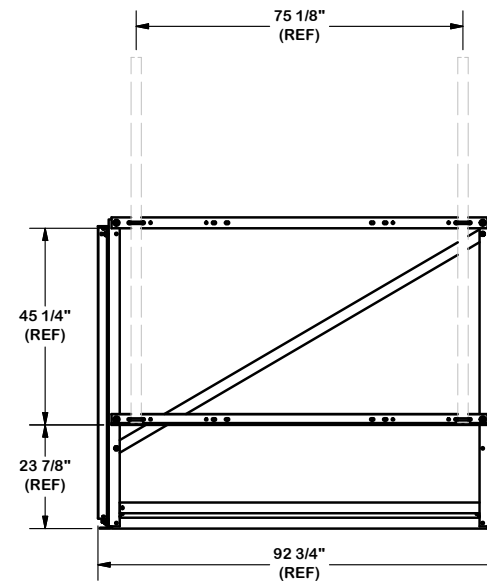
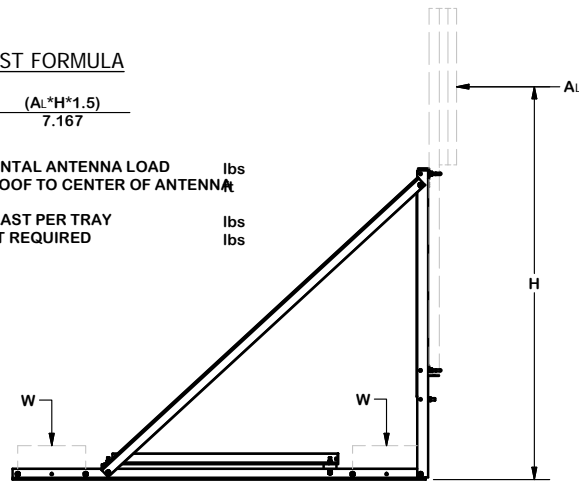


BALLAST FORMULA

$$W = \frac{(A_L * H * 1.5)}{7.167}$$

A_L = TOTAL HORIZONTAL ANTENNA LOAD lbs
 H = HEIGHT FROM ROOF TO CENTER OF ANTENNA ft

W = REQUIRED BALLAST PER TRAY lbs
 W (2) = TOTAL BALLAST REQUIRED lbs



TOLERANCE NOTES

TOLERANCES ON DIMENSIONS, UNLESS OTHERWISE NOTED ARE:
 SAWED, SHEARED AND GAS CUT EDGES ($\pm 0.030"$)
 DRILLED AND GAS CUT HOLES ($\pm 0.030"$) - NO CONING OF HOLES
 LASER CUT EDGES AND HOLES ($\pm 0.010"$) - NO CONING OF HOLES
 BENDS ARE $\pm 1/2$ DEGREE
 ALL OTHER MACHINING ($\pm 0.030"$)
 ALL OTHER ASSEMBLY ($\pm 0.060"$)

PROPRIETARY NOTE:
 THE DATA AND TECHNIQUES CONTAINED IN THIS DRAWING ARE PROPRIETARY INFORMATION OF VALMONT INDUSTRIES AND CONSIDERED A TRADE SECRET. ANY USE OR DISCLOSURE WITHOUT THE CONSENT OF VALMONT INDUSTRIES IS STRICTLY PROHIBITED.

DESCRIPTION
**7" NON-PENETRATING
 ROOF MOUNT
 SITE PRO 1**



Locations:
 New York, NY
 Atlanta, GA
 Los Angeles, CA
 Plymouth, IN
 Salem, OR
 Dallas, TX
 Engineering Support Team:
 1-888-753-7446

REV	DESCRIPTION OF REVISIONS	CPD	BY	DATE
B	ADDED VARIABLE TABLE		KC8	06/06/2012
A	UPDATE BALLAST EQUATION	4893	BMC	5/17/2011

CPD NO. 4893	DRAWN BY RH18 12/6/2010	ENG. APPROVAL
CLASS 81	SUB 01	DRAWING USAGE CUSTOMER
CHECKED BY CEK 7/10/2012		

PART NO. SEE ASSEMBLY "A"	PAGE 2 OF 2
DWG. NO. RTW-7	