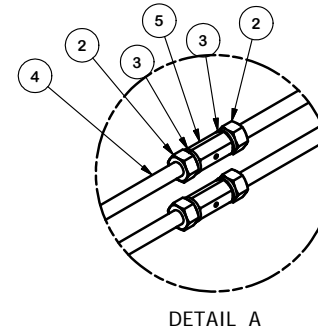
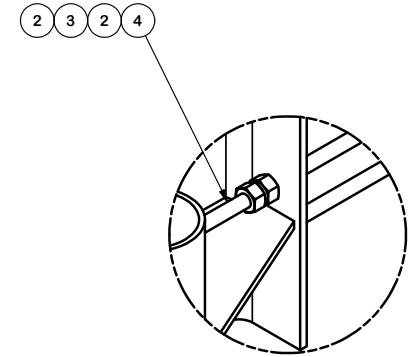


MOUNT FOR 4' - 8'
CHIMNEY SHOWN

PARTS LIST						
ITEM	QTY	PART NO.	PART DESCRIPTION	LENGTH	UNIT WT.	NET WT.
1	4	X-104077	PIPE WELDMENT		102.15	408.58
2	B	G58NUT	5/8" HDG HEAVY 2H HEX NUT		0.13	--
3	C	G58LW	5/8" HDG LOCKWASHER		0.03	--
4	D	G58R-48	5/8" x 48" THREADED ROD (HDG.)		4.18	--
5	E	G58CN	5/8" COUPLING NUT (HDG.)		0.29	--
					TOTAL WT. #	F



DETAIL A



DETAIL B

ASSEMBLY "A"	QUANTITY "B"	QUANTITY "C"	QUANTITY "D"	QUANTITY "E"	TOTAL WEIGHT "F"
SCM34	64	32	16	--	465.29
SCM48	96	64	32	16	541.93
SCM812	128	96	48	32	618.57
SCM1216	160	128	64	48	695.21
SCM1620	192	160	80	64	771.85

TOLERANCE NOTES

TOLERANCES ON DIMENSIONS, UNLESS OTHERWISE NOTED ARE:
 SAWED, SHEARED AND GAS CUT EDGES ($\pm 0.030"$)
 DRILLED AND GAS CUT HOLES ($\pm 0.030"$) - NO CONING OF HOLES
 LASER CUT EDGES AND HOLES ($\pm 0.010"$) - NO CONING OF HOLES
 BENDS ARE $\pm 1/2$ DEGREE
 ALL OTHER MACHINING ($\pm 0.030"$)
 ALL OTHER ASSEMBLY ($\pm 0.060"$)

PROPRIETARY NOTE:
 THE DATA AND TECHNIQUES CONTAINED IN THIS DRAWING ARE PROPRIETARY INFORMATION OF VALMONT INDUSTRIES AND CONSIDERED A TRADE SECRET. ANY USE OR DISCLOSURE WITHOUT THE CONSENT OF VALMONT INDUSTRIES IS STRICTLY PROHIBITED.

DESCRIPTION
 SQUARE CHIMNEY MOUNTS

SITE PRO 1
 Engineering Support Team:
 1-888-753-7446
 Locations:
 New York, NY
 Atlanta, GA
 Los Angeles, CA
 Plymouth, IN
 Salem, OR
 Dallas, TX

CPD NO. 4880	DRAWN BY CEK 10/1/2010	ENG. APPROVAL 10/5/2010
CLASS 81	SUB 01	DRAWING USAGE CUSTOMER
CHECKED BY BMC 10/15/2010		

PART NO. SEE ASSEMBLY "A"	PAGE 1 OF 1
DWG. NO. SCM	