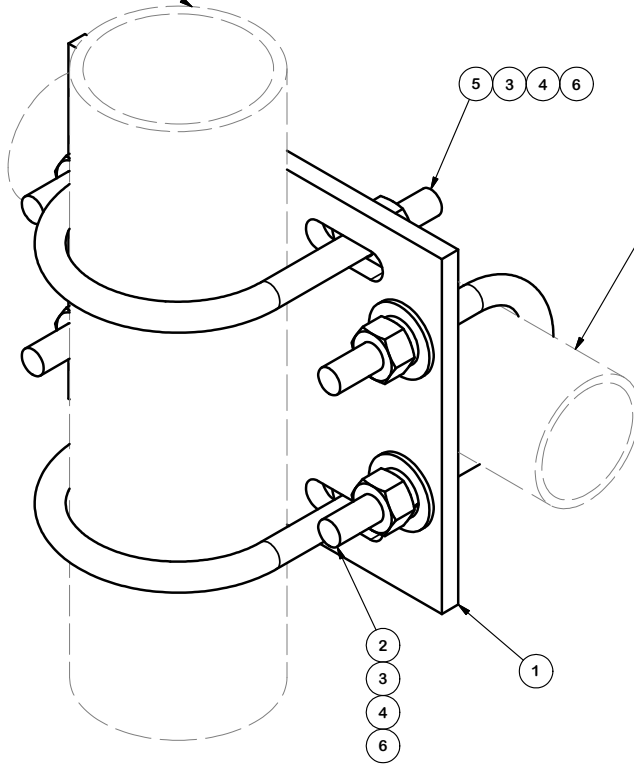


PARTS LIST						
ITEM	QTY	PART NO.	PART DESCRIPTION	LENGTH	UNIT WT.	NET WT.
1	1	SCX4	CROSSOVER PLATE	8 1/2 in	6.02	6.02
2	2	X-UB1212	1/2" X 2-1/2" X 4-1/2" X 2" U-BOLT (HDG.)		0.63	1.25
3	8	G12FW	1/2" HDG USS FLATWASHER		0.03	0.27
4	8	G12LW	1/2" HDG LOCKWASHER		0.01	0.11
5	2	X-UB1358	1/2" X 3-5/8" X 5-1/2" X 3" U-BOLT (HDG.)		0.66	1.31
6	8	G12NUT	1/2" HDG HEAVY 2H HEX NUT		0.07	0.57
TOTAL WT. #						9.77

3-1/2" O.D. ANTENNA PIPE  
(ORDERED SEPARATELY)



2-3/8" O.D. PIPE  
(ORDERED SEPARATELY)

**TOLERANCE NOTES**

**TOLERANCES ON DIMENSIONS, UNLESS OTHERWISE NOTED ARE:  
SAWED, SHEARED AND GAS CUT EDGES ( $\pm 0.030$ " )  
DRILLED AND GAS CUT HOLES ( $\pm 0.030$ " ) - NO CONING OF HOLES  
LASER CUT EDGES AND HOLES ( $\pm 0.010$ " ) - NO CONING OF HOLES  
BENDS ARE  $\pm 1/2$  DEGREE  
ALL OTHER MACHINING ( $\pm 0.030$ " )  
ALL OTHER ASSEMBLY ( $\pm 0.060$ " )**

**PROPRIETARY NOTE:  
THE DATA AND TECHNIQUES CONTAINED IN THIS DRAWING ARE PROPRIETARY INFORMATION OF VALMONT INDUSTRIES AND CONSIDERED A TRADE SECRET. ANY USE OR DISCLOSURE WITHOUT THE CONSENT OF VALMONT INDUSTRIES IS STRICTLY PROHIBITED.**

DESCRIPTION  
**CROSSOVER PLATE KIT**

CPD NO.	DRAWN BY <b>CEK</b>	7/1/2011	ENG. APPROVAL
CLASS <b>81</b>	SUB <b>01</b>	DRAWING USAGE <b>CUSTOMER</b>	CHECKED BY <b>BMC</b>
		7/1/2011	



Locations:  
New York, NY  
Atlanta, GA  
Los Angeles, CA  
Plymouth, IN  
Salem, OR  
Dallas, TX

Engineering  
Support Team:  
1-888-753-7446

PART NO.	<b>SCX43-K</b>
DWG. NO.	<b>SCX43-K</b>