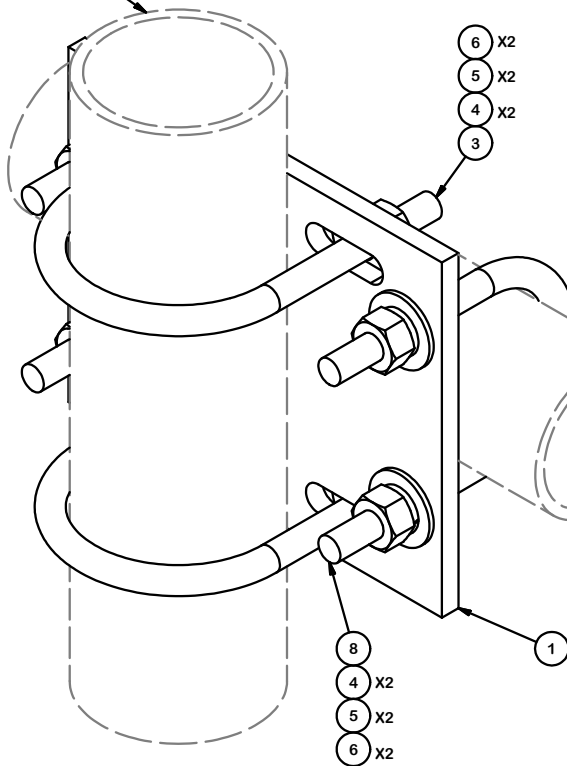


PARTS LIST						
ITEM	QTY	PART NO.	PART DESCRIPTION	LENGTH	UNIT WT.	NET WT.
1	1	SCX4	CROSSOVER PLATE	8 1/2 in	6.02	6.02
3	2	X-UB1358	1/2" X 3-5/8" X 5-1/2" X 3" U-BOLT (HDG.)		0.73	1.46
8	2	X-UB1300	1/2" X 3" X 5" X 2" U-BOLT (HDG.)		0.73	1.46
4	8	G12FW	1/2" HDG USS FLATWASHER		0.03	0.27
5	8	G12LW	1/2" HDG LOCKWASHER		0.01	0.11
6	8	G12NUT	1/2" HDG HEAVY 2H HEX NUT		0.07	0.57
TOTAL WT. #						9.92

3-1/2" O.D. ANTENNA PIPE  
(ORDERED SEPRATELY)



2-7/8" O.D. ANTENNA PIPE  
(ORDERED SEPRATELY)

**TOLERANCE NOTES**

**TOLERANCES ON DIMENSIONS, UNLESS OTHERWISE NOTED ARE:  
SAWED, SHEARED AND GAS CUT EDGES ( $\pm 0.030$ )  
DRILLED AND GAS CUT HOLES ( $\pm 0.030$ ) - NO CONING OF HOLES  
LASER CUT EDGES AND HOLES ( $\pm 0.010$ ) - NO CONING OF HOLES  
BENDS ARE  $\pm 1/2$  DEGREE  
ALL OTHER MACHINING ( $\pm 0.030$ )  
ALL OTHER ASSEMBLY ( $\pm 0.060$ )**

PROPRIETARY NOTE:  
THE DATA AND TECHNIQUES CONTAINED IN THIS DRAWING ARE PROPRIETARY INFORMATION OF VALMONT INDUSTRIES AND CONSIDERED A TRADE SECRET. ANY USE OR DISCLOSURE WITHOUT THE CONSENT OF VALMONT INDUSTRIES IS STRICTLY PROHIBITED.

DESCRIPTION		CROSSOVER PLATE KIT	
-------------	--	---------------------------	--

CPD NO.	DRAWN BY	ENG. APPROVAL
CLASS	SUB	DRAWING USAGE
81	01	CUSTOMER
		CHECKED BY
		BMC 2/19/2015

	Engineering Support Team: 1-888-753-7446	Locations: New York, NY Atlanta, GA Los Angeles, CA Plymouth, IN Salem, OR Dallas, TX
	A valmont COMPANY	

PART NO.	SCX45-K	PAGE
DWG. NO.	SCX45-K	1 OF 1