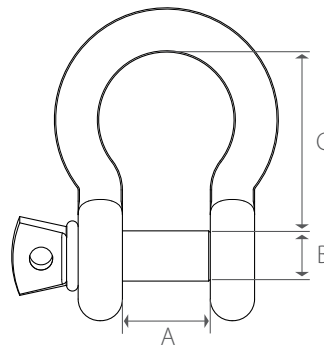


SHKxx: Screw Pin Shackles



Features:

- Working load limit permanently shown on every shackle

Construction:

- Hot-dip galvanized drop forged

Design Criteria:

- Screw pin meets Federal Specifications RR-C271D, Type IVA, Grade A, Class 2

Part #	Size	Dimensions (in)			Weight
		A	B	C (+/- 0.01)	
SHK14	1/4" (1/2 Ton)	0.47	0.31	1.13	0.10 lb
SHK516	5/16" (3/4 Ton)	0.53	0.38	1.22	0.15 lb
SHK38	3/8" (1 Ton)	0.66	0.44	1.44	0.30 lb