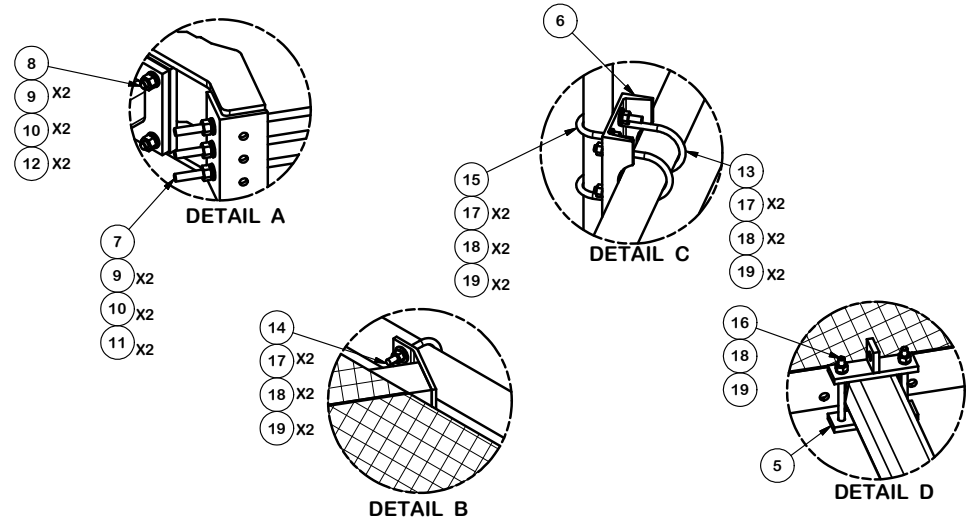


| 2-3/8" O.D. VERTICAL MOUNTING PIPES | | | | | |
|-------------------------------------|--------------|------------|-----------------|----------------|--------------|
| ASSEMBLY NO. | PART NO. "A" | LENGTH "B" | UNIT WEIGHT "C" | NET WEIGHT "D" | TOTAL WEIGHT |
| SNP14-384 | P284 | 7'-0" | 26.91 | 242.19 | 1908.18 |
| SNP14-396 | P296 | 8'-0" | 30.76 | 276.84 | 1942.83 |
| SNP14-3126 | P2126 | 10'-6" | 40.75 | 366.75 | 2032.74 |

| PARTS LIST | | | | | | |
|------------|-----|-----------|--|------------|----------|---------|
| ITEM | QTY | PART NO. | PART DESCRIPTION | LENGTH | UNIT WT. | NET WT. |
| 1 | 3 | X-LWRM | RING MOUNT WELDMENT | | 68.81 | 206.42 |
| 2 | 3 | X-SNP-STL | SNB8 TELESCOPING ARM FOR GRATING | | 105.60 | 316.79 |
| 3 | 3 | X-SNPC | CORNER GRATING WELDMENT | | 194.26 | 582.77 |
| 4 | 3 | P3174 | 3-1/2" X 174" SCH 40 GALVANIZED PIPE | 174.000 in | 109.97 | 329.90 |
| 5 | 3 | X-SNPP1G | CLAMP PLATE | 7.000 in | 2.03 | 6.10 |
| 6 | 9 | X-SP219 | SMALL SUPPORT CROSS PLATE | 8.250 in | 8.61 | 77.50 |
| 7 | 9 | G58R-48 | 5/8" x 48" THREADED ROD (HDG.) | | 0.55 | 4.94 |
| 7 | 9 | G58R-24 | 5/8" x 24" THREADED ROD (HDG.) | | 0.55 | 4.94 |
| 8 | 12 | A58234 | 5/8" x 2-3/4" HDG A325 HEX BOLT | 2.75 | 0.36 | 4.27 |
| 9 | 30 | A58FW | 5/8" HDG A325 FLATWASHER | | 0.03 | 1.02 |
| 10 | 42 | G58LW | 5/8" HDG LOCKWASHER | | 0.03 | 1.10 |
| 11 | 18 | A58NUT | 5/8" HDG A325 HEX NUT | | 0.13 | 2.34 |
| 12 | 24 | G58NUT | 5/8" HDG HEAVY 2H HEX NUT | | 0.13 | 3.12 |
| 13 | 18 | X-UB1306 | 1/2" X 3-5/8" X 6" X 3" U-BOLT (HDG.) | | 0.73 | 13.17 |
| 14 | 12 | X-UB1358 | 1/2" X 3-5/8" X 5-1/2" X 3" U-BOLT (HDG.) | | 0.73 | 8.78 |
| 15 | 18 | X-UB1212 | 1/2" X 2-1/2" X 4-1/2" X 2" U-BOLT (HDG.) | | 0.73 | 13.17 |
| 16 | 6 | G12065 | 1/2" x 6-1/2" HDG HEX BOLT GR5 FULL THREAD | 7-1/2 | 0.41 | 2.46 |
| 17 | 96 | G12FW | 1/2" HDG USS FLATWASHER | | 0.03 | 3.27 |
| 18 | 102 | G12LW | 1/2" HDG LOCKWASHER | | 0.01 | 1.42 |
| 19 | 102 | G12NUT | 1/2" HDG HEAVY 2H HEX NUT | | 0.07 | 7.31 |
| 20 | 3 | X-SNPM | GRATING WALKWAY FOR 12' & 14' SNUB NOSE PLATFORM | | 82.72 | 248.15 |
| 21 | 24 | G58FW | 5/8" HDG USS FLATWASHER | | 0.07 | 1.69 |
| 22 | 12 | G5802 | 5/8" x 2" HDG HEX BOLT GR5 | | 0.27 | 3.24 |
| 23 | 9 | A | 2" SCH. 40 PIPE (2.375" O.D. x 0.154" WALL) A500 | B | C | D |



TOLERANCE NOTES

TOLERANCES ON DIMENSIONS, UNLESS OTHERWISE NOTED ARE:
 SAWED, SHEARED AND GAS CUT EDGES ($\pm 0.030"$)
 DRILLED AND GAS CUT HOLES ($\pm 0.030"$) - NO CONING OF HOLES
 LASER CUT EDGES AND HOLES ($\pm 0.010"$) - NO CONING OF HOLES
 BENDS ARE $\pm 1/2$ DEGREE
 ALL OTHER MACHINING ($\pm 0.030"$)
 ALL OTHER ASSEMBLY ($\pm 0.060"$)

PROPRIETARY NOTE:
 THE DATA AND TECHNIQUES CONTAINED IN THIS DRAWING ARE PROPRIETARY INFORMATION OF VALMONT INDUSTRIES AND CONSIDERED A TRADE SECRET. ANY USE OR DISCLOSURE WITHOUT THE CONSENT OF VALMONT INDUSTRIES IS STRICTLY PROHIBITED.

DESCRIPTION

14' SNUB NOSE PLATFORM

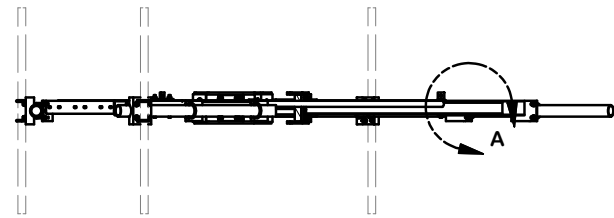
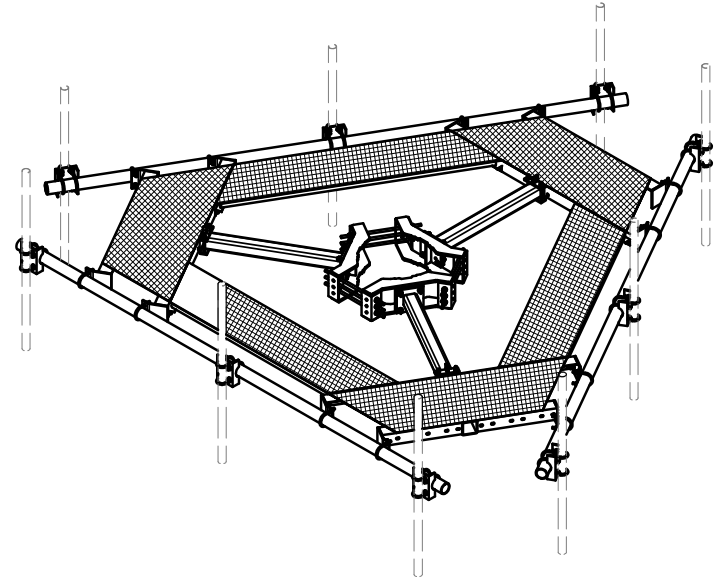
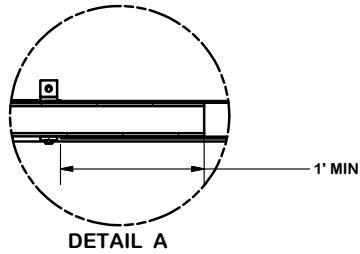
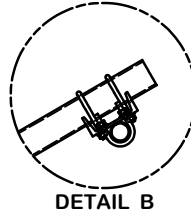
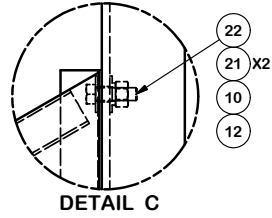
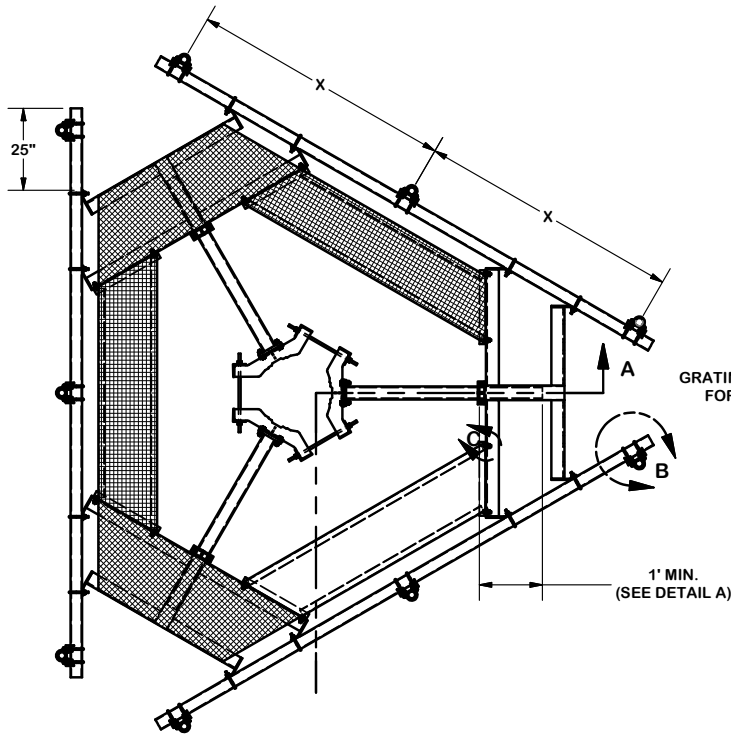
| | | |
|---------|----------------|---------------|
| CPD NO. | DRAWN BY | ENG. APPROVAL |
| CLASS | CEK 12/19/2014 | CHECKED BY |
| 81 | CUSTOMER | BMC 1/7/2015 |



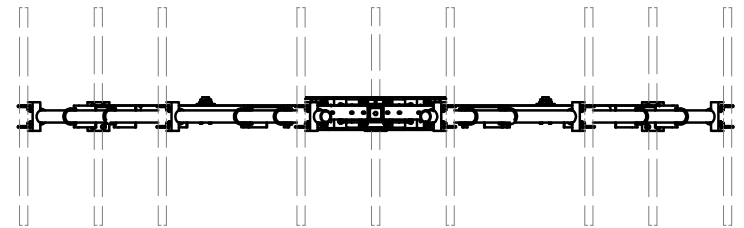
Engineering Support Team:
 1-888-753-7446

Locations:
 New York, NY
 Atlanta, GA
 Los Angeles, CA
 Plymouth, IN
 Salem, OR
 Dallas, TX

| | |
|----------|------------------|
| PART NO. | SEE ASSEMBLY NO. |
| DWG. NO. | SNP14-3XX |



SECTION A-A



TOLERANCE NOTES

TOLERANCES ON DIMENSIONS, UNLESS OTHERWISE NOTED ARE:
 SAWED, SHEARED AND GAS CUT EDGES ($\pm 0.030"$)
 DRILLED AND GAS CUT HOLES ($\pm 0.030"$) - NO CONING OF HOLES
 LASER CUT EDGES AND HOLES ($\pm 0.010"$) - NO CONING OF HOLES
 BENDS ARE $\pm 1/2$ DEGREE
 ALL OTHER MACHINING ($\pm 0.030"$)
 ALL OTHER ASSEMBLY ($\pm 0.060"$)

PROPRIETARY NOTE:
 THE DATA AND TECHNIQUES CONTAINED IN THIS DRAWING ARE PROPRIETARY INFORMATION OF VALMONT INDUSTRIES AND CONSIDERED A TRADE SECRET. ANY USE OR DISCLOSURE WITHOUT THE CONSENT OF VALMONT INDUSTRIES IS STRICTLY PROHIBITED.

DESCRIPTION
14' SNUB NOSE PLATFORM

SITE PRO 1
 Engineering Support Team:
 1-888-753-7446
 Locations:
 New York, NY
 Atlanta, GA
 Los Angeles, CA
 Plymouth, IN
 Salem, OR
 Dallas, TX

| | | |
|----------------------------|----------------------------|---------------------------|
| CPD NO. | DRAWN BY CEK 12/19/2014 | ENG. APPROVAL |
| CLASS 81 | SUB 02 | DRAWING USAGE CUSTOMER |
| CHECKED BY BMC 1/7/2015 | | |

| | | |
|----------|------------------|----------------|
| PART NO. | SEE ASSEMBLY NO. | PAGE 2 OF 2 |
| DWG. NO. | SNP14-3XX | |