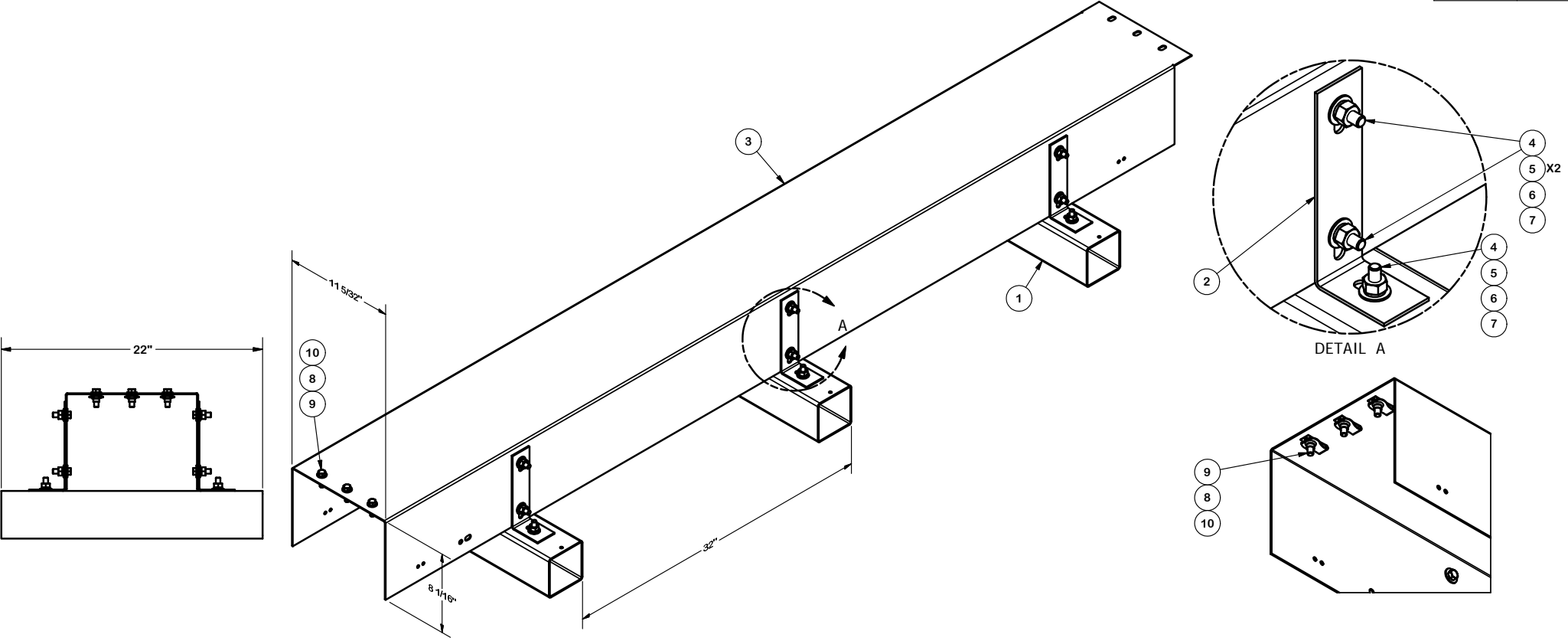


PARTS LIST						
ITEM	QTY	PART NO.	PART DESCRIPTION	LENGTH	UNIT WT.	NET WT.
1	3	SLPR4	PVC ROOFTOP SLEEPER	22 in	2.10	6.29
2	6	RCCLIP2	ROOFTOP COVER CLIP LONG		0.62	3.74
3	1	X-SP1542D	DUAL STACK ROOFTOP COVER 4 X 2		71.29	71.29
4	18	G38114	3/8" x 1-1/4" HDG HEX BOLT GR5		0.06	1.13
5	30	G38FW	3/8" HDG USS FLATWASHER		0.01	0.35
6	18	G38LW	3/8" HDG LOCKWASHER		0.01	0.12
7	18	G38NUT	3/8" HDG HEAVY 2H HEX NUT		0.03	0.61
8	3	RN38	RETAINING NUT 3/8" X 1-1/4"		0.04	0.12
9	3	SS38114	SS 3/8" X 1-1/4" BOLT	1 1/4 in	0.06	0.18
10	3	SS38FW	3/8" STAINLESS FLATWASHER		0.01	0.03
TOTAL WT. #						83.85



TOLERANCE NOTES

TOLERANCES ON DIMENSIONS, UNLESS OTHERWISE NOTED ARE:
 SAWED, SHEARED AND GAS CUT EDGES ($\pm 0.030"$)
 DRILLED AND GAS CUT HOLES ($\pm 0.030"$) - NO CONING OF HOLES
 LASER CUT EDGES AND HOLES ($\pm 0.010"$) - NO CONING OF HOLES
 BENDS ARE $\pm 1/2$ DEGREE
 ALL OTHER MACHINING ($\pm 0.030"$)
 ALL OTHER ASSEMBLY ($\pm 0.060"$)

PROPRIETARY NOTE:
 THE DATA AND TECHNIQUES CONTAINED IN THIS DRAWING ARE PROPRIETARY INFORMATION OF VALMONT INDUSTRIES AND CONSIDERED A TRADE SECRET. ANY USE OR DISCLOSURE WITHOUT THE CONSENT OF VALMONT INDUSTRIES IS STRICTLY PROHIBITED.

DESCRIPTION		TALL ROOFTOP COAX KITS FOR 4 RUNS OF COAX	
CPD NO.	DRAWN BY	ENG. APPROVAL	
	CEK 8/30/2011		
CLASS	SUB	DRAWING USAGE	CHECKED BY
81	01	CUSTOMER	BMC 9/1/2011

 A valmont COMPANY	Locations: New York, NY Atlanta, GA Los Angeles, CA Plymouth, IN Salem, OR Dallas, TX
	Engineering Support Team: 1-888-753-7446
PART NO.	SP1542D
DWG. NO.	SP1542D