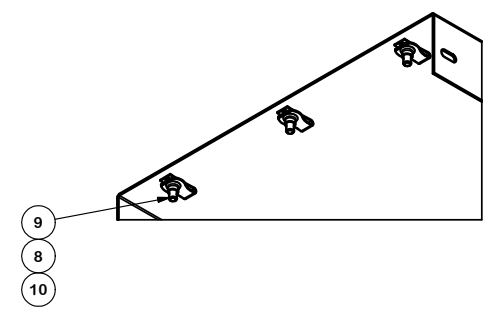
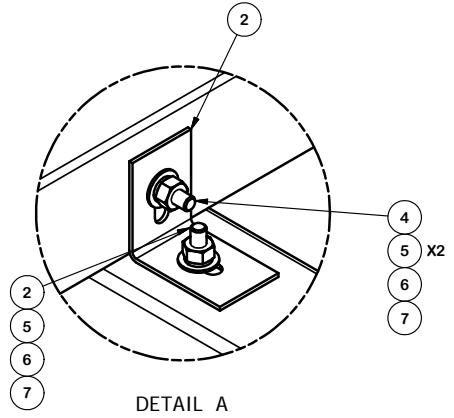
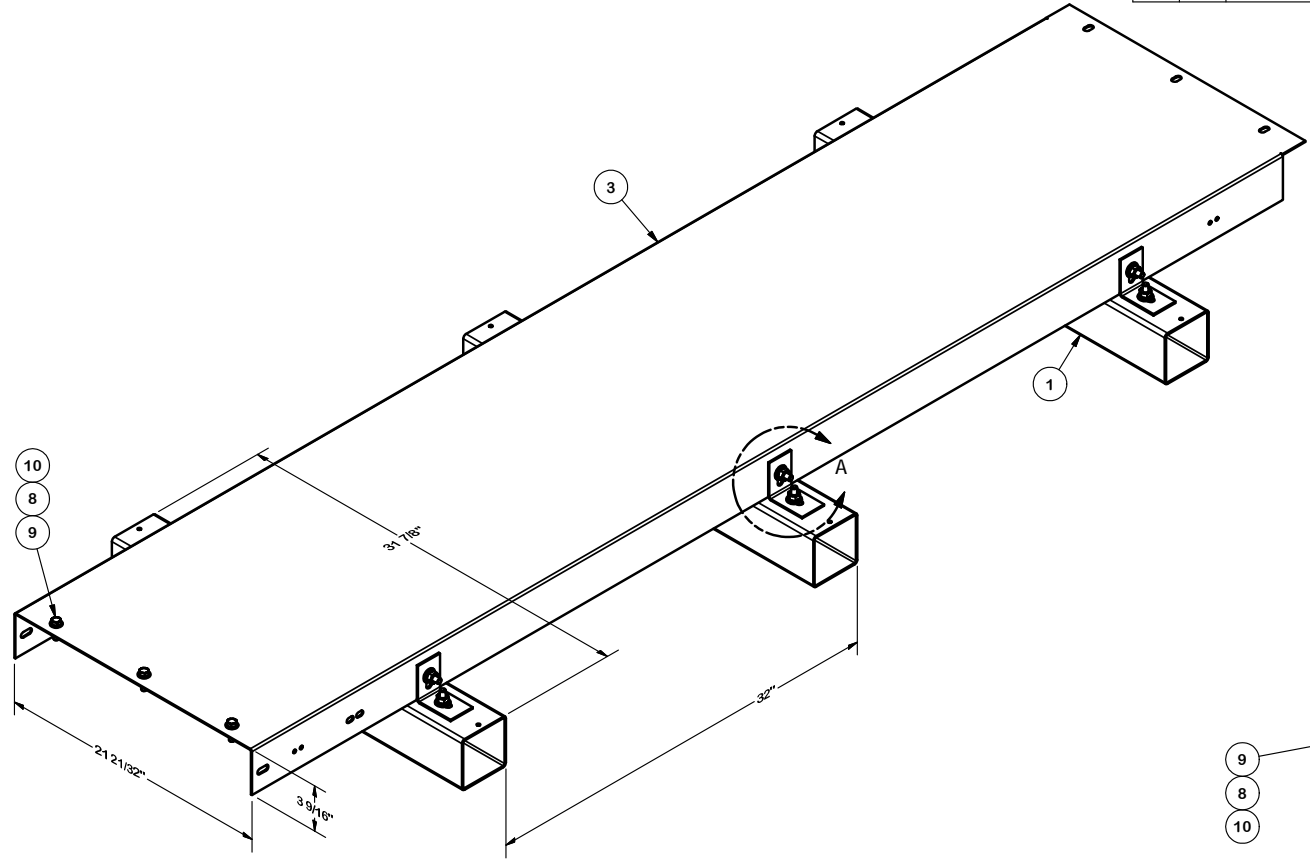


PARTS LIST						
ITEM	QTY	PART NO.	PART DESCRIPTION	LENGTH	UNIT WT.	NET WT.
1	3	SLPR8	PVC ROOFTOP SLEEPER	31 7/8 in	3.03	9.10
2	6	RCCLIP	ROOFTOP COVER CLIP ANGLE		0.36	2.14
3	1	X-SP1543	8 RUN ROOFTOP COVER		75.89	75.89
4	12	G38114	3/8" x 1-1/4" HDG HEX BOLT GR5		0.06	0.75
5	18	G38FW	3/8" HDG USS FLATWASHER		0.01	0.21
6	12	G38LW	3/8" HDG LOCKWASHER		0.01	0.08
7	12	G38NUT	3/8" HDG HEAVY 2H HEX NUT		0.03	0.41
8	3	RN38	RETAINING NUT 3/8" X 1-1/4"		0.04	0.12
9	3	SS38114	SS 3/8" X 1-1/4" BOLT	1 1/4 in	0.06	0.18
10	3	SS38FW	3/8" STAINLESS FLATWASHER		0.01	0.03
					TOTAL WT. #	88.91



TOLERANCE NOTES
 TOLERANCES ON DIMENSIONS, UNLESS OTHERWISE NOTED ARE:
 SAWED, SHEARED AND GAS CUT EDGES ($\pm 0.030"$)
 DRILLED AND GAS CUT HOLES ($\pm 0.030"$) - NO CONING OF HOLES
 LASER CUT EDGES AND HOLES ($\pm 0.010"$) - NO CONING OF HOLES
 BENDS ARE $\pm 1/2$ DEGREE
 ALL OTHER MACHINING ($\pm 0.030"$)
 ALL OTHER ASSEMBLY ($\pm 0.060"$)

PROPRIETARY NOTE:
 THE DATA AND TECHNIQUES CONTAINED IN THIS DRAWING ARE PROPRIETARY INFORMATION OF VALMONT INDUSTRIES AND CONSIDERED A TRADE SECRET. ANY USE OR DISCLOSURE WITHOUT THE CONSENT OF VALMONT INDUSTRIES IS STRICTLY PROHIBITED.

DESCRIPTION		ROOFTOP COAX KITS FOR 8 RUNS OF COAX	
CPD NO.	DRAWN BY	ENG. APPROVAL	
ile0	CEK 8/30/2011		
CLASS	SUB	DRAWING USAGE	CHECKED BY
81	01	CUSTOMER	BMC 9/2/2011

 A valmont COMPANY	Locations: New York, NY Atlanta, GA Los Angeles, CA Plymouth, IN Salem, OR Dallas, TX
	Engineering Support Team: 1-888-753-7446
PART NO.	SP1543
DWG. NO.	SP1543