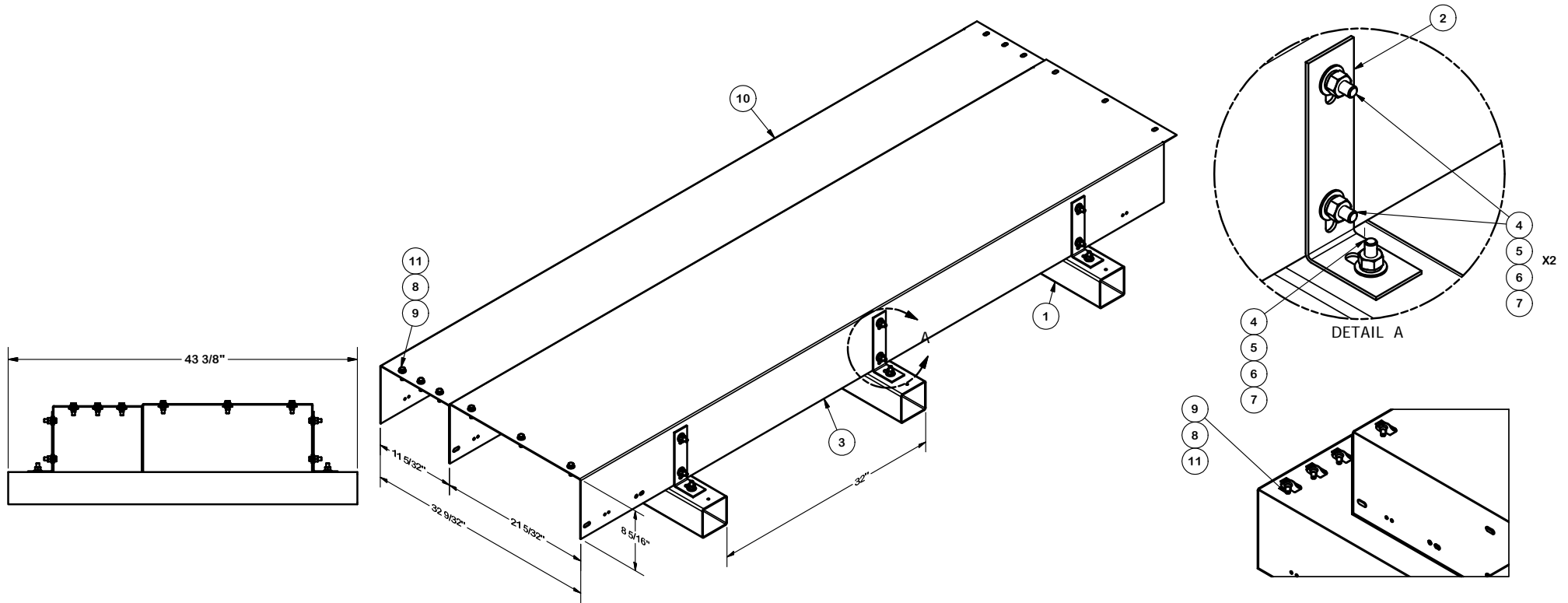


PARTS LIST						
ITEM	QTY	PART NO.	PART DESCRIPTION	LENGTH	UNIT WT.	NET WT.
1	3	SLPR12	PVC ROOFTOP SLEEPER	43 3/8 in	4.13	12.38
2	6	RCCLIP2	ROOFTOP COVER CLIP LONG		0.62	3.74
3	1	X-SP1543D	DUAL STACK ROOFTOP COVER 8 X 2		99.41	99.41
4	18	G38114	3/8" x 1-1/4" HDG HEX BOLT GR5		0.06	1.13
5	30	G38FW	3/8" HDG USS FLATWASHER		0.01	0.35
6	18	G38LW	3/8" HDG LOCKWASHER		0.01	0.12
7	18	G38NUT	3/8" HDG HEAVY 2H HEX NUT		0.03	0.61
8	6	RN38	RETAINING NUT 3/8" X 1-1/4"		0.04	0.24
9	6	SS38114	SS 3/8" X 1-1/4" BOLT	1 1/4 in	0.06	0.36
10	1	X-SP1542D	DUAL STACK ROOFTOP COVER 4 X 2		71.29	71.29
11	6	SS38FW	3/8" STAINLESS FLATWASHER		0.01	0.05
					TOTAL WT. #	189.68



TOLERANCE NOTES

TOLERANCES ON DIMENSIONS, UNLESS OTHERWISE NOTED ARE:
 SAWED, SHEARED AND GAS CUT EDGES ($\pm 0.030"$)
 DRILLED AND GAS CUT HOLES ($\pm 0.030"$) - NO CONING OF HOLES
 LASER CUT EDGES AND HOLES ($\pm 0.010"$) - NO CONING OF HOLES
 BENDS CUT $\pm 1/2$ DEGREE
 ALL OTHER MACHINING ($\pm 0.030"$)
 ALL OTHER ASSEMBLY ($\pm 0.060"$)

PROPRIETARY NOTE:
 THE DATA AND TECHNIQUES CONTAINED IN THIS DRAWING ARE PROPRIETARY INFORMATION OF VALMONT INDUSTRIES AND CONSIDERED A TRADE SECRET. ANY USE OR DISCLOSURE WITHOUT THE CONSENT OF VALMONT INDUSTRIES IS STRICTLY PROHIBITED.

DESCRIPTION

TALL ROOFTOP COAX KITS
 FOR 12 RUNS OF COAX

CPD NO.	DRAWN BY	ENG. APPROVAL
CLASS	DRAWING USAGE	CHECKED BY
81	01	CUSTOMER
		BMC 9/2/2011



Engineering
 Support Team:
 1-888-753-7446

Locations:
 New York, NY
 Atlanta, GA
 Los Angeles, CA
 Plymouth, IN
 Salem, OR
 Dallas, TX

PART NO.	SP1595D	PAGE
DWG. NO.	SP1595D	1 OF 1