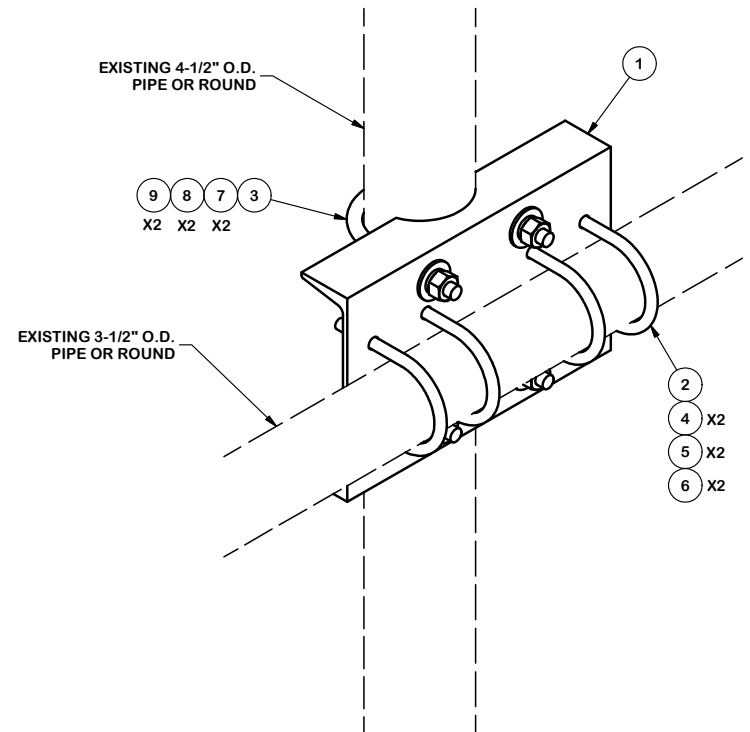


| PARTS LIST |     |          |   |        |                    |              |
|------------|-----|----------|---|--------|--------------------|--------------|
| ITEM       | QTY | PART NO. | PART DESCRIPTION                          | LENGTH | UNIT WT.           | NET WT.      |
| 1          | 1   | X-SP216  | LARGE SUPPORT CROSS PLATE                 |        | 20.83              | 20.83        |
| 2          | 4   | X-UB1358 | 1/2" X 3-5/8" X 5-1/2" X 3" U-BOLT (HDG.) |        | 0.81               | 3.24         |
| 3          | 2   | X-UB5458 | 5/8" X 4-5/8" X 7" X 3" U-BOLT (HDG.)     |        | 1.61               | 3.22         |
| 4          | 8   | G12NUT   | 1/2" HDG HEAVY 2H HEX NUT                 |        | 0.07               | 0.57         |
| 5          | 8   | G12LW    | 1/2" HDG LOCKWASHER                       |        | 0.01               | 0.11         |
| 6          | 8   | G12FW    | 1/2" HDG USS FLATWASHER                   |        | 0.03               | 0.27         |
| 7          | 4   | G58NUT   | 5/8" HDG HEAVY 2H HEX NUT                 |        | 0.13               | 0.52         |
| 8          | 4   | G58LW    | 5/8" HDG LOCKWASHER                       |        | 0.03               | 0.10         |
| 9          | 4   | G58FW    | 5/8" HDG USS FLATWASHER                   |        | 0.07               | 0.28         |
|            |     |          |   |        | <b>TOTAL WT. #</b> | <b>28.84</b> |



**TOLERANCE NOTES**

TOLERANCES ON DIMENSIONS, UNLESS OTHERWISE NOTED ARE:  
 SAWED, SHEARED AND GAS CUT EDGES ( $\pm 0.030"$ )  
 DRILLED AND GAS CUT HOLES ( $\pm 0.030"$ ) - NO CONING OF HOLES  
 LASER CUT EDGES AND HOLES ( $\pm 0.010"$ ) - NO CONING OF HOLES  
 BENDS ARE  $\pm 1/2$  DEGREE  
 ALL OTHER MACHINING ( $\pm 0.030"$ )  
 ALL OTHER ASSEMBLY ( $\pm 0.060"$ )

PROPRIETARY NOTE:  
 THE DATA AND TECHNIQUES CONTAINED IN THIS DRAWING ARE PROPRIETARY INFORMATION OF VALMONT INDUSTRIES AND CONSIDERED A TRADE SECRET. ANY USE OR DISCLOSURE WITHOUT THE CONSENT OF VALMONT INDUSTRIES IS STRICTLY PROHIBITED.

|             |   |
|-------------|---|
| DESCRIPTION | PIPE SUPPORT CROSS PLATE<br>3-1/2" PIPE AND 4-1/2" PIPE |
|-------------|---|

**SITE PRO 1**  
 A valmont COMPANY

Engineering Support Team:  
 1-888-753-7446

Locations:  
 New York, NY  
 Atlanta, GA  
 Los Angeles, CA  
 Plymouth, IN  
 Salem, OR  
 Dallas, TX

|                  |                                       |     |           |
|------------------|---------------------------------------|-----|-----------|
| A                | REDRAWN IN INV. UPDATED VIEWS & TABLE | KC8 | 8/17/2012 |
| REV              | DESCRIPTION OF REVISIONS              | CPD | BY DATE   |
| REVISION HISTORY |                                       |     |           |

|         |               |               |
|---------|---------------|---------------|
| CPD NO. | DRAWN BY      | ENG. APPROVAL |
|         | BMC 6/24/2009 |               |
| CLASS   | DRAWING USAGE | CHECKED BY    |
| 81      | CUSTOMER      | CEK 2/18/2013 |

|          |       |
|----------|-------|
| PART NO. | SP216 |
| DWG. NO. | SP216 |