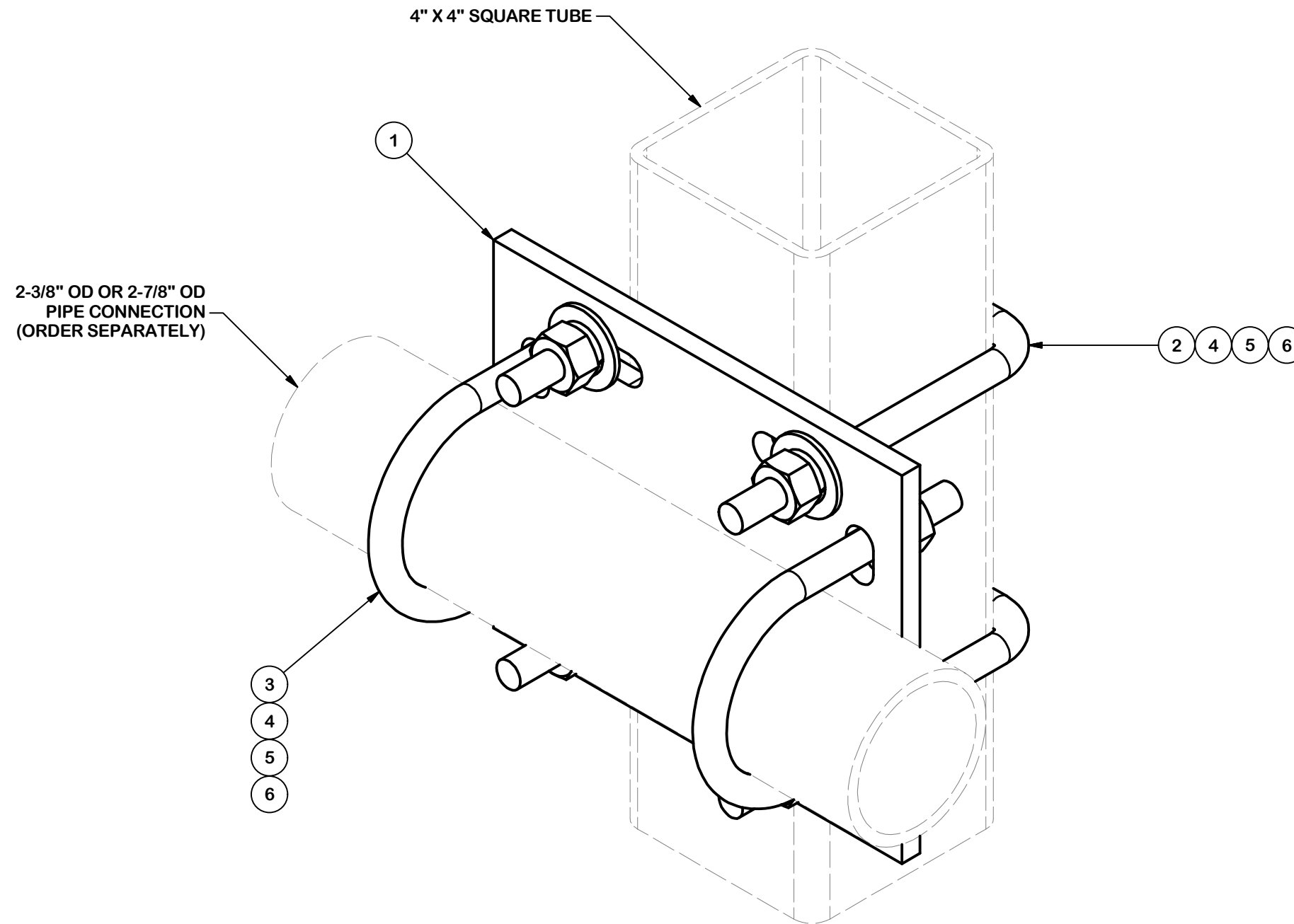


PARTS LIST						
ITEM	QTY	PART NO.	PART DESCRIPTION	LENGTH	UNIT WT.	NET WT.
1	1	SCX4	CROSSOVER PLATE	8 1/2 in	6.02	6.02
2	2	X-SUB1418	SQUARE U-BOLT 0.5" DIA. X 4.125" IW X 6" IL X 3" TR		0.98	1.95
3	2	X-UB1212	1/2" X 2-1/2" X 4-1/2" X 2" U-BOLT (HDG.)		0.60	1.19
3	2	X-UB1300	1/2" X 3" X 5" X 2" U-BOLT (HDG.)		0.67	1.34
4	8	G12FW	1/2" HDG USS FLATWASHER	3/32 in	0.03	0.27
5	8	G12LW	1/2" HDG LOCKWASHER	1/8 in	0.01	0.11
6	8	G12NUT	1/2" HDG HEAVY 2H HEX NUT		0.07	0.57
					TOTAL WT. #	11.35



TOLERANCE NOTES

TOLERANCES ON DIMENSIONS, UNLESS OTHERWISE NOTED ARE:
 SAWED, SHEARED AND GAS CUT EDGES (± 0.030 "")
 DRILLED AND GAS CUT HOLES (± 0.030 "") - NO CONING OF HOLES
 LASER CUT EDGES AND HOLES (± 0.010 "") - NO CONING OF HOLES
 BENDS ARE $\pm 1/2$ DEGREE
 ALL OTHER MACHINING (± 0.030 "")
 ALL OTHER ASSEMBLY (± 0.060 "")

PROPRIETARY NOTE:
 THE DATA AND TECHNIQUES CONTAINED IN THIS DRAWING ARE PROPRIETARY INFORMATION OF VALMONT INDUSTRIES AND CONSIDERED A TRADE SECRET. ANY USE OR DISCLOSURE WITHOUT THE CONSENT OF VALMONT INDUSTRIES IS STRICTLY PROHIBITED.

DESCRIPTION
**CROSSOVER PLATE KIT
 W/ SQUARE U-BOLTS AND STD. U-BOLTS**

SITE PRO 1
 A valmont COMPANY

Engineering Support Team:
 1-888-753-7446

Locations:
 New York, NY
 Atlanta, GA
 Los Angeles, CA
 Plymouth, IN
 Salem, OR
 Dallas, TX

CPD NO.	DRAWN BY	ENG. APPROVAL
	CSL 9/18/2018	3RD PARTY
CLASS	DRAWING USAGE	CHECKED BY
87	CUSTOMER	BMC 11/12/2018

PART NO.	SQCX4-K
DWG. NO.	SQCX4-K