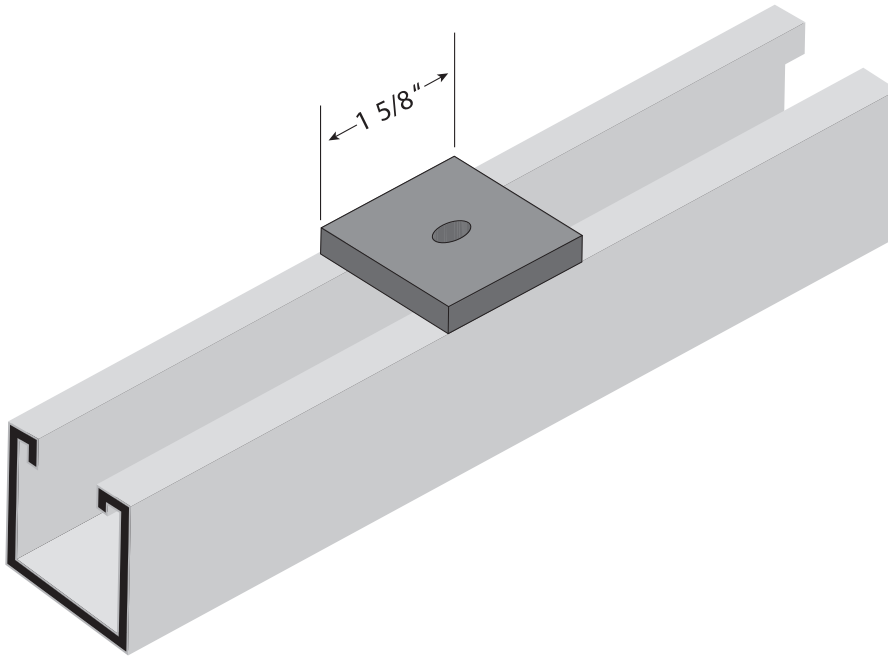


SQN1: Square Nuts



Features:

- Accepts 3/8" hardware
- Works with all struts
- Hot-dip galvanized
- 1-5/8" square by 1/4" thick
- 7/16 diameter hole

Part #	Strut Size
SQN1	1-5/8"