

PARTS LIST						
ITEM	QTY	PART NO.	PART DESCRIPTION	LENGTH	UNIT WT.	NET WT.
1	1	X-STA3	STIFF ARM ANGLE BRACKET	2 1/2 in	1.39	1.39
2	2	X-STU	STIFF ARM CHANNEL BRACKET	8 1/2 in	1.37	2.74
3	2	G12R-10	1/2" x 10" THREADED ROD (HDG.)		0.40	0.80
4	1	G12112	1/2" x 1-1/2" HDG HEX BOLT GR5	1/2 in	0.15	0.15
5	2	G1203	1/2" x 3" HDG HEX BOLT GR5 FULL THREAD	3 in	0.22	0.43
6	15	G12LW	1/2" HDG LOCKWASHER	1/8 in	0.01	0.21
7	17	G12FW	1/2" HDG USS FLATWASHER	3/32 in	0.03	0.58
8	15	G12NUT	1/2" HDG HEAVY 2H HEX NUT		0.07	1.07
9	1	G58112	5/8" x 1-1/2" HDG BOLT	1 1/2 in	0.25	0.25
10	1	G58LW	5/8" HDG LOCKWASHER		0.03	0.03
11	1	G58NUT	5/8" HDG HEAVY 2H HEX NUT		0.13	0.13
12	1	SCX1	CROSSOVER PLATE 2-3/8" X 2-3/8"	6 in	3.71	3.71
13	4	X-UB1212	1/2" X 2-1/2" X 4-1/2" X 2" U-BOLT (HDG.)		0.63	2.50
14	1	P2150	2-3/8" O.D. X 150" SCH 40 GALVANIZED PIPE	150 in	45.77	45.77
15	1	ACP	4-1/16" CLAMP HALF, 1/4" THK.	5 3/4 in	0.65	0.65
16	1	SAM	STIFF ARM MOUNT CLAMP		0.77	0.77
					TOTAL WT. #	63.79

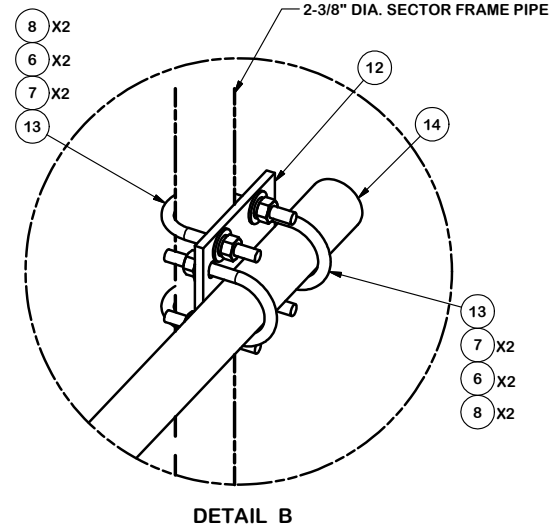
1" TO 6" ROUND MEMBER LEGS
 1" TO 6" 60° ANGLE LEGS
 1" TO 4" 90° ANGLE LEGS

8 6 7 3
 X2 X2 X2

ANGLE OR PIPE
 TOWER LEG

14

DETAIL A



DETAIL B

TOLERANCE NOTES

TOLERANCES ON DIMENSIONS, UNLESS OTHERWISE NOTED ARE:
 SAWED, SHEARED AND GAS CUT EDGES ($\pm 0.030"$)
 DRILLED AND GAS CUT HOLES ($\pm 0.030"$) - NO CONING OF HOLES
 LASER CUT EDGES AND HOLES ($\pm 0.010"$) - NO CONING OF HOLES
 BENDS ARE $\pm 1/2$ DEGREE
 ALL OTHER MACHINING ($\pm 0.030"$)
 ALL OTHER ASSEMBLY ($\pm 0.060"$)

PROPRIETARY NOTE:
 THE DATA AND TECHNIQUES CONTAINED IN THIS DRAWING ARE PROPRIETARY INFORMATION OF VALMONT INDUSTRIES AND CONSIDERED A TRADE SECRET. ANY USE OR DISCLOSURE WITHOUT THE CONSENT OF VALMONT INDUSTRIES IS STRICTLY PROHIBITED.

DESCRIPTION
**SECTOR FRAME
 STIFF ARM KIT**

CPD NO. 4647	DRAWN BY KC8 8/16/2012	ENG. APPROVAL
CLASS 81	SUB 02	DRAWING USAGE CUSTOMER
CHECKED BY CEK 2/18/2013		

SITE PRO 1
 Engineering Support Team:
 1-888-753-7446

Locations:
 New York, NY
 Atlanta, GA
 Los Angeles, CA
 Plymouth, IN
 Salem, OR
 Dallas, TX

PART NO. STK-U	PAGE 1 OF 1
DWG. NO. STK-U	