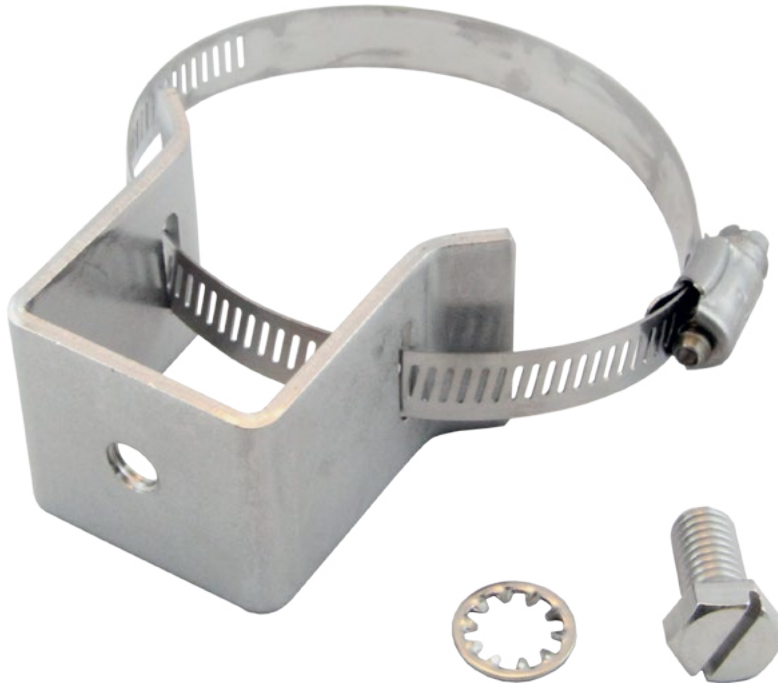


STKx: Tower Standoff Kits



Features:

- 3/8" tapped hole allows attachment of cable support hardware to round tower members
- Standoff distance varies with leg size

Construction:

- Heavy-Duty 304 Stainless Steel construction
- Includes SS hose clamps, 3/8" screws, and lock washers

Related Products:

- Butterfly Hangers, Cushion Hangers, Cable Blocks

Part #	Leg Size	Standoff	U of M	Weight
STK1	3/4" - 1-1/2"	1-1/4" - 1-1/8"	10 pack	2.9 lb
STK2	1-1/2" - 3"	1-1/8" - 1-1/2"	10 pack	3.3 lb
STK3	3" - 4"	1-1/2" - 1-5/8"	10 pack	3.9 lb
STK4	3" - 6"	1-1/2" - 1-3/4"	10 pack	4.9 lb

STKx: Tower Standoff Kits

INSTALLATION INSTRUCTIONS

©2015

Stand-off Adapter Kits for Hanger Applications

1450 IB C

PRODUCT DESCRIPTION

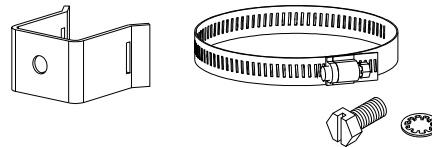
Stand-off Adapter Kits provide a secure means to attach a variety of hangers to round members. A threaded hole accommodates 3/8" or 5/16" threaded rod or bolts when mounting Coax Support Blocks, Butterfly Hangers, Clip Hangers or other accessories which utilize a 3/8" or 5/16" threaded hole.

NOTICE

Installation of this product should only be performed by trained, qualified and experienced personnel. Installation instructions for this product should be read thoroughly before installation is performed. The manufacturer and supplier of this product disclaims any liability or responsibility for the results of improper or unsafe installation practice.

MATERIAL LIST

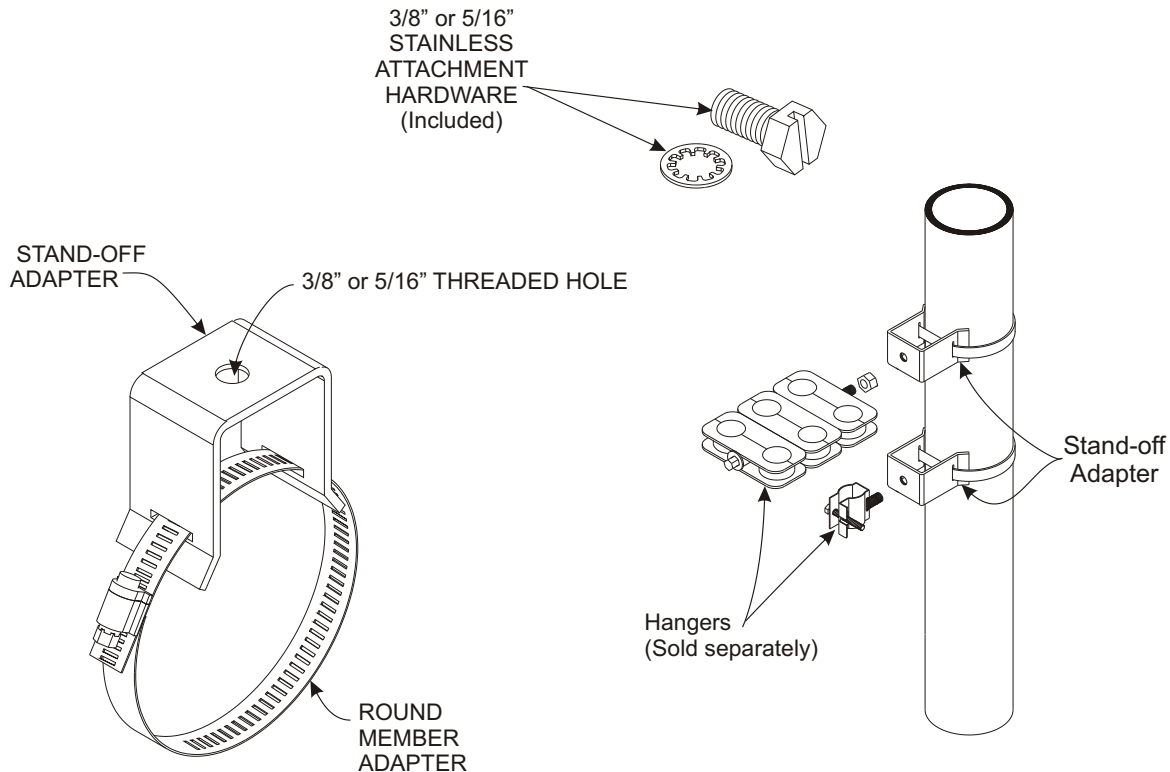
- (10) Stand-off Adapters
- (10) 3/8" or 5/16" x 3/4" Stainless Steel Slotted Bolts
- (10) 3/8" or 5/16" Stainless Steel Toothed Lock Washers



REQUIRED TOOLS

Standard Screw Driver, Banding tool, or 5/16" Nut Driver depending upon application.

TYPICAL APPLICATIONS



created on: 11/07/2017