

TBx-K: TrapBox™ Standoff Kits



Features:

- Stands 1-1/2" off tower
- Three 3/4" mounting holes; maximum load is six 1-5/8" cables
- Not for use with Universal Snap-In Hangers
- When used with 1-1/4" or 1-5/8" MonoBloc Stackable Snap-Ins the center hole cannot be used

Construction:

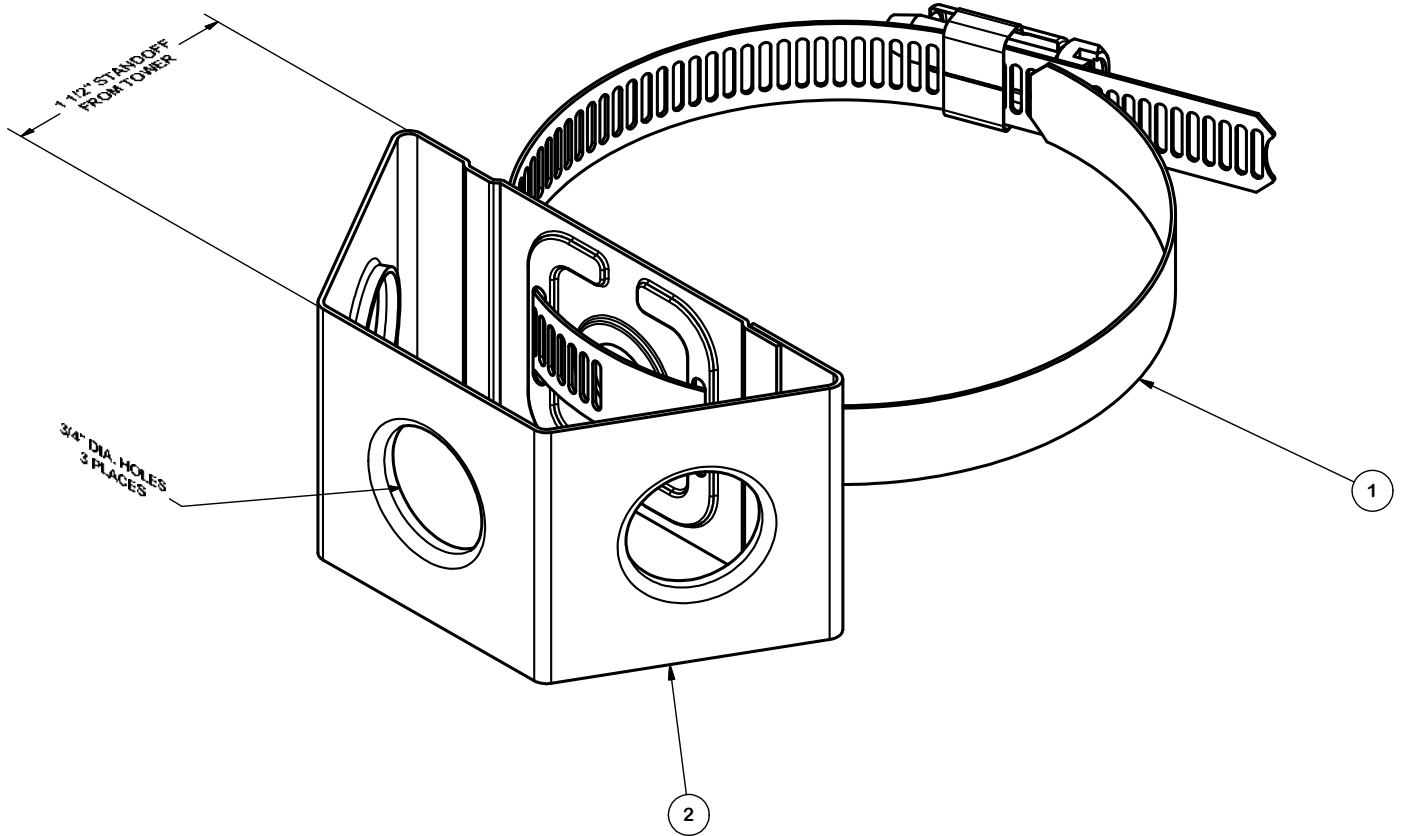
- Constructed from high grade 304 Stainless Steel for maximum corrosion protection

Related Products:

- Stackable Snap-In Hangers, MonoBloc Stackable Snap-In Hangers

Part #	Leg Size	U of M	Weight
TB1-K	3/4" - 2"	10 pack	1.6 lb
TB2-K	1-1/2" - 3"	10 pack	1.7 lb
TB3-K	3" - 4"	10 pack	1.8 lb
TB4-K	3" - 6"	10 pack	1.9 lb

TBx-K: TrapBox™ Standoff Kits



Parts List

Item	QTY	Part Description	Weight
1	1	Stainless Steel Hose Clamp	B
2	1	Stainless Steel Trapezoid Snap-In Box, 10/Pack	1.1 lb

Kits List

Assembly No	Part No., A	Weight, B	Leg Size	Total Weight
TB1-K	HC1	0.5 lb	3/4" - 2"	1.6 lb
TB2-K	HC2	0.6 lb	1-1/2" - 3"	1.7 lb
TB3-K	HC3	0.7 lb	3" - 4"	1.8 lb
TB4-K	HC5	0.8 lb	3" - 6"	1.9 lb