

# Installation Instructions

## TEK Clip™ Color Coding Clips

## TEK-CP1 Series

\*TEK-CP1-12  
\*TEK-CP1-38

DOC ID 986541 Rev. F

### STEP 1



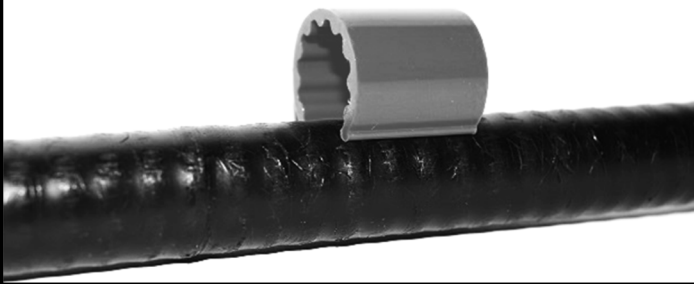
Inspect the TEK Clip™ to ensure it is in good operating condition. There should be no visible cracks and should be sized appropriately for the intended cable.

**NOTE:** Clips CANNOT be stacked on top of each other or any other similar style clip. Only install a single clip per band. Clips should not overlap in any way, shape or form.

**NOTE:** Clips MAY be placed over existing tape, but this is not the preferred method. The preferred method is to remove all existing tape prior to install.

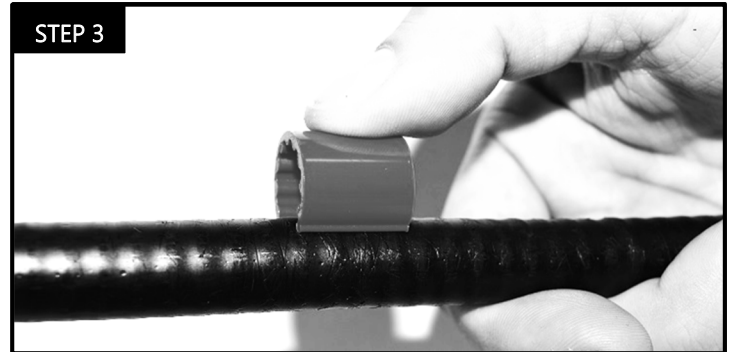
**CAUTION:** To prevent damage to cable jacket and factory labels, disengage clip slightly prior to sliding up or down the cable.

### STEP 2



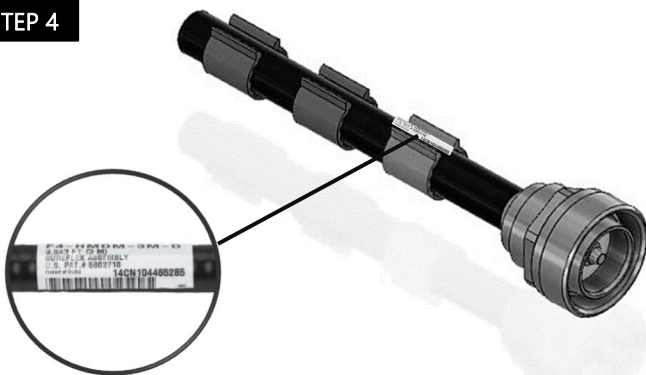
Align the TEK Clip™ with the opening against the cable where it is to be installed. Ideally, 5 inches or more from the end of the cable to allow for weatherproofing.

### STEP 3



Once properly aligned, press firmly on the back of the clip until it engages the cable and “snaps” into place. To adjust, disengage clip slightly by pushing on opening.

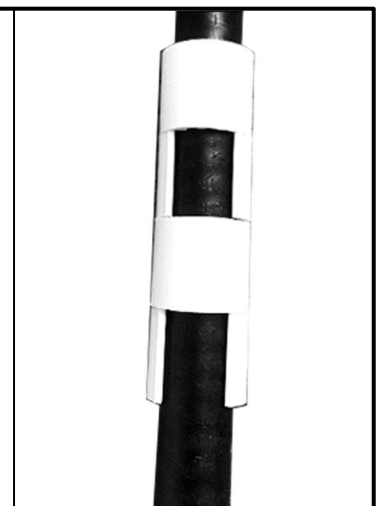
### STEP 4



Once installed, swivel the clip around so the factory label is visible through the clip opening.

### STEP 5

As a best practice, stagger the clip openings to ensure “blocking” does not occur with closely spaced similar color clips.



For more information, go to [www.tek-inc.com/products](http://www.tek-inc.com/products)

DOC ID 986541 Rev. F

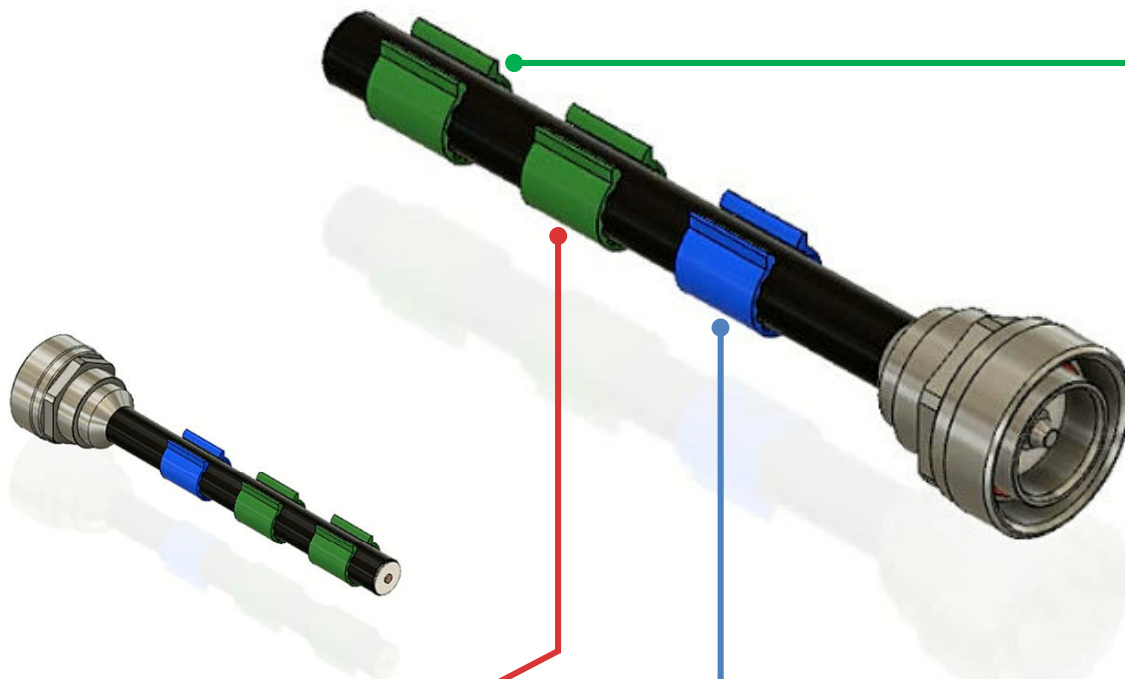
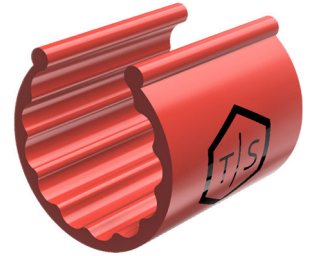
Notice: TEK Solutions disclaims any liability or responsibility for the results of improper or unsafe installation, maintenance, or removal practices

© 2020 TEK Solutions Inc. All rights reserved. All trademarks identified by ® or ™ are registered trademarks, respectively, of TEK Solutions Inc. All specifications are subject to change without notice. See [www.tek-inc.com](http://www.tek-inc.com) for the most current information. Revised: January 2020

# TEK Clip™

TEK-CP1-12  
TEK-CP1-38

The TEK Clip™ by TEK Solutions, is an outdoor rated, UV resistant, polymer clip available in a variety of colors and sizes to aid in cable identification on cell sites. The simplistic design allows for quick, one-handed installation with no additional tools required. Once installed, the clip can be easily adjusted multiple times or removed with ease. One key feature of the TEK Clip™ is in its design which allows for installation over factory labels. This is due to the gap left in the clip opening once installed. Lastly, the TEK Clip™ will not come loose due to natural thermal expansion.



**EASY INSTALLATION**  
Solid One-Piece design  
is easy to install quickly  
with no additional  
tools required



**WEATHER PROOF**  
Superior weather  
performance in all  
climate conditions:  
Rain, Snow, Heat &  
Cold



**FLEXIBLE DESIGN**  
One size fits a range of  
cable sizes & can be  
placed over factory  
labels. Easily adjusts &  
is re-usable

**General Specifications**

COLOR	PART #	COLOR	PART #	COLOR	PART #
 RED	TEK-CP1-38-RD	 YELLOW	TEK-CP1-38-YW	 GRAY	TEK-CP1-38-GY
 BLUE	TEK-CP1-38-BU	 ORANGE	TEK-CP1-38-OR	 WHITE	TEK-CP1-38-WT
 GREEN	TEK-CP1-38-GN	 PINK	TEK-CP1-38-PK		
 PURPLE	TEK-CP1-38-PU	 BROWN	TEK-CP1-38-BN		

**Technical Specifications**

DIMENSIONS

HEIGHT	12.80 MM   0.50 IN
LENGTH	19.00 MM   0.75 IN
WIDTH	13.42 MM   0.53 IN
COMPATIBLE DIAMETER, IDEAL	11.00 MM   0.43 IN (3/8" Nominal Cable Size)
COMPATIBLE DIAMETER, MAXIMUM	13.75 MM   0.54 IN
COMPATIBLE DIAMETER, MINIMUM	10.00 MM   0.39 IN

GENERAL SPECIFICATIONS

PACKAGE QUANTITY	100 / 25
------------------	----------

ENVIRONMENTAL SPECIFICATIONS

OPERATING TEMPERATURE	-46 °C TO +85 °C (-50 °F TO +185 °F)
-----------------------	--------------------------------------

MECHANICAL SPECIFICATIONS

UV RESISTANCE	≥1000 HOURS EXPOSURE IN ACCELERATED UV LIFE CHAMBER
SYSTEM PIM PERFORMANCE	IM3 < -100 DBM ~ IEC 62037-8, N.F 2X20W D/S TEST
RETENTION FORCE	18N (4.1 LBI) TO 24N (5.3 LBI) BASED ON CABLE
DUTY CYCLE	≥200 CYCLES
MATERIAL TYPE	UV STABLE POLYCARBONATE

COMPLIANCE SPECIFICATIONS

AGENCY	ISO 9001:2015
--------	---------------

CLASSIFICATION	DESIGNED, MANUFACTURED AND/OR DISTRIBUTED UNDER THIS QUALITY MANAGEMENT SYSTEM
----------------	--



**Important Notice**

All statements, technical information, and recommendations related to TEK Solutions products are based on information believed to be reliable, but the accuracy or completeness is not guaranteed. Before using this product, you must evaluate it and determine if it is suitable for your intended application. You assume all risks and liability associated with such use. Any statements related to the product which are not contained in TEK Solutions current publications, or any contrary statements contained on your purchase order shall have no force or effect unless expressly agreed upon, in writing, by an authorized officer of TEK Solutions.

**Warranty; Limited Remedy; Limited Liability.**

This product will be free from defects in material and manufacture for a period of 12 months from the time of purchase. TEK Solutions MAKES NO OTHER WARRANTIES INCLUDING, BUT NOT LIMITED TO, ANY IMPLIED WARRANTY OF MERCHANTABILITY OR FITNESS FOR A PARTICULAR PURPOSE. If this product is defective within the warranty period stated above, your exclusive remedy shall be, at TEK Solutions option, to replace or repair the TEK Solutions product or refund the purchase price of the TEK Solutions product. Except where prohibited by law, TEK Solutions will not be liable for any loss or damage arising from this TEK Solutions product, whether direct, indirect, special, incidental or consequential regardless of the legal theory asserted.