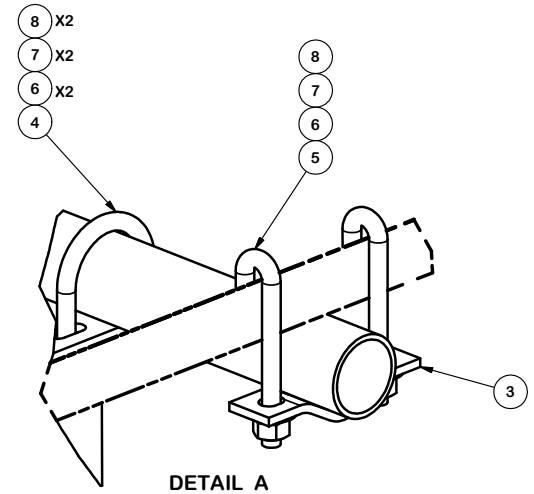
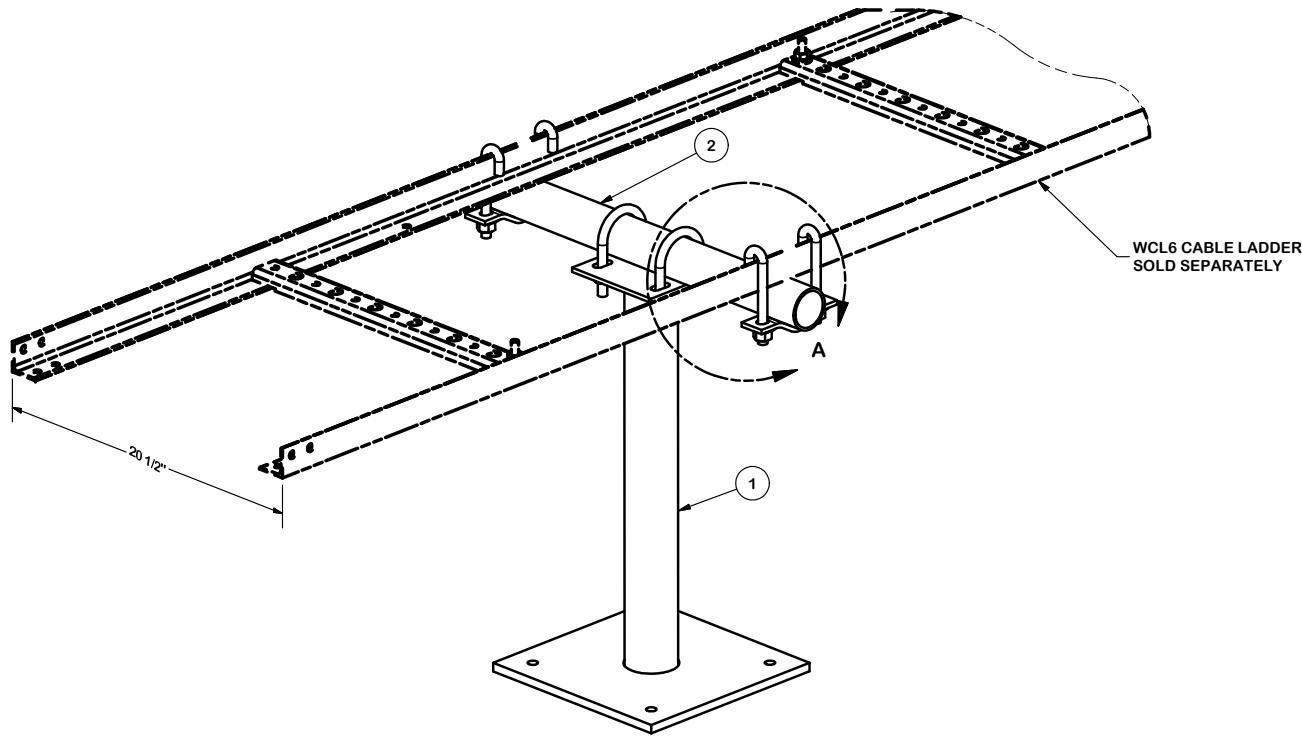


PARTS LIST						
ITEM	QTY	PART NO.	PART DESCRIPTION	LENGTH	UNIT WT.	NET WT.
1	1	X-TL	T-STAND WELDMENT		34.81	34.81
2	1	P224	2-3/8" X 24" SCH 40 GALVANIZED PIPE	63 in	7.76	7.76
3	2	ACP	4-1/16" CLAMP HALF, 1/4" THK.	5 3/4 in	0.65	1.31
4	2	X-UB1212	1/2" X 2-1/2" X 4-1/2" X 2" U-BOLT (HDG.)		0.60	1.19
5	4	JB1205	1/2" X 5" J-BOLT		0.33	1.32
6	8	G12FW	1/2" HDG USS FLATWASHER	3/32 in	0.03	0.27
7	8	G12LW	1/2" HDG LOCKWASHER	1/8 in	0.01	0.11
8	8	G12NUT	1/2" HDG HEAVY 2H HEX NUT		0.07	0.57
					TOTAL WT. #	59.77



TOLERANCE NOTES

TOLERANCES ON DIMENSIONS, UNLESS OTHERWISE NOTED ARE:
 SAWED, SHEARED AND GAS CUT EDGES ($\pm 0.030"$)
 DRILLED AND GAS CUT HOLES ($\pm 0.030"$) - NO CONING OF HOLES
 LASER CUT EDGES AND HOLES ($\pm 0.010"$) - NO CONING OF HOLES
 BENDS AND ANGLES ARE $\pm 1/2$ DEGREE
 ALL OTHER MACHINING ($\pm 0.030"$)
 ALL OTHER ASSEMBLY ($\pm 0.060"$)

PROPRIETARY NOTE:
 THE DATA AND TECHNIQUES CONTAINED IN THIS DRAWING ARE PROPRIETARY INFORMATION OF VALMONT INDUSTRIES AND CONSIDERED A TRADE SECRET. ANY USE OR DISCLOSURE WITHOUT THE CONSENT OF VALMONT INDUSTRIES IS STRICTLY PROHIBITED.

DESCRIPTION
ROOFTOP CABLE RUN T-STAND FOR 6 RUNS

SITE PRO 1
 Engineering Support Team:
 1-888-753-7446

Locations:
 New York, NY
 Atlanta, GA
 Los Angeles, CA
 Plymouth, IN
 Salem, OR
 Dallas, TX
 Tampa, FL

A valmont COMPANY

CPD NO.	DRAWN BY CEK	8/9/2019	ENG. APPROVAL
CLASS 81	SUB 01	DRAWING USAGE CUSTOMER	CHECKED BY BMC 8/22/2019

PART NO.	TL24-20	PAGE	1 OF 1
DWG. NO.	TL24-20		