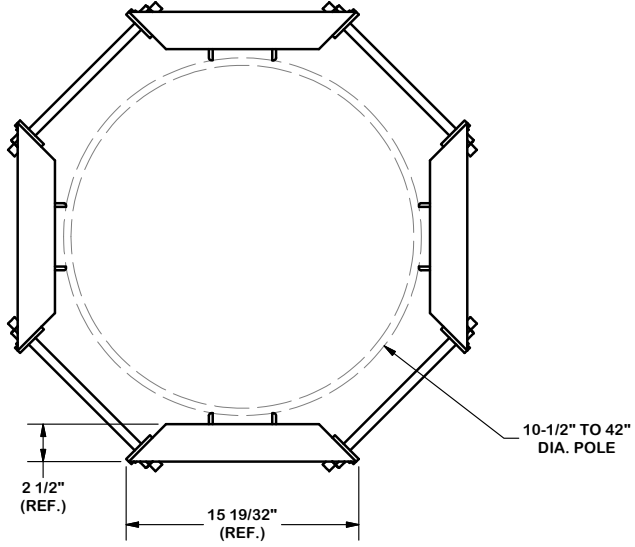
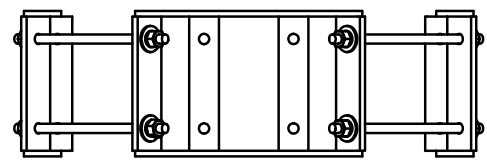
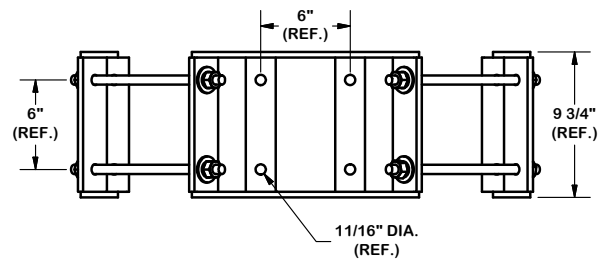
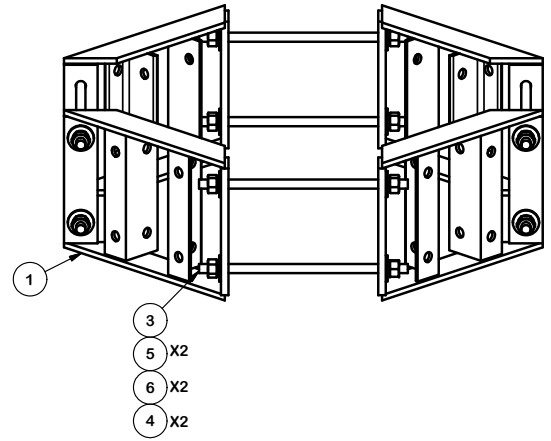


NOTE:
 FOR POLE SIZES
 6-3/8" TO 10-1/2" DIAMETER
 ORDER SEPARATELY
 PART # "LP-6"



PARTS LIST						
ITEM	QTY	PART NO.	PART DESCRIPTION	LENGTH	UNIT WT.	NET WT.
1	4	X-UGLM4	MINI QUAD MOUNT WELDMENT		19.33	77.32
2	8	G58R-30	5/8" x 30" THREADED ROD (HDG.)		2.61	20.91
3	8	G58R-14	5/8" x 14" THREADED ROD (HDG.)		0.40	3.19
4	16	G58FW	5/8" HDG USS FLATWASHER	1/8 in	0.07	1.13
5	16	G58LW	5/8" HDG LOCKWASHER		0.03	0.42
6	16	G58NUT	5/8" HDG HEAVY 2H HEX NUT		0.13	2.08
					TOTAL WT. #	110.48



TOLERANCE NOTES

TOLERANCES ON DIMENSIONS, UNLESS OTHERWISE NOTED ARE:
 SAWED, SHEARED AND GAS CUT EDGES ($\pm 0.030"$)
 DRILLED AND GAS CUT HOLES ($\pm 0.030"$) - NO CONING OF HOLES
 LASER CUT EDGES AND HOLES ($\pm 0.010"$) - NO CONING OF HOLES
 BENDS ARE $\pm 1/2$ DEGREE
 ALL OTHER MACHINING ($\pm 0.030"$)
 ALL OTHER ASSEMBLY ($\pm 0.060"$)

PROPRIETARY NOTE:
 THE DATA AND TECHNIQUES CONTAINED IN THIS DRAWING ARE PROPRIETARY INFORMATION OF VALMONT INDUSTRIES AND CONSIDERED A TRADE SECRET. ANY USE OR DISCLOSURE WITHOUT THE CONSENT OF VALMONT INDUSTRIES IS STRICTLY PROHIBITED.

DESCRIPTION
MINI QUAD RING MOUNT ASSEMBLY

CPD NO.	DRAWN BY	ENG. APPROVAL
81	CEK	5/11/2017
CLASS	SUB	DRAWING USAGE
81	01	CUSTOMER
	CHECKED BY	ENG. APPROVAL
	BMC	6/13/2017

SITE PRO 1
 A valmont COMPANY

Engineering Support Team:
 1-888-753-7446

Locations:
 New York, NY
 Atlanta, GA
 Los Angeles, CA
 Plymouth, IN
 Salem, OR
 Dallas, TX

PART NO.	UGLM4
DWG. NO.	UGLM4