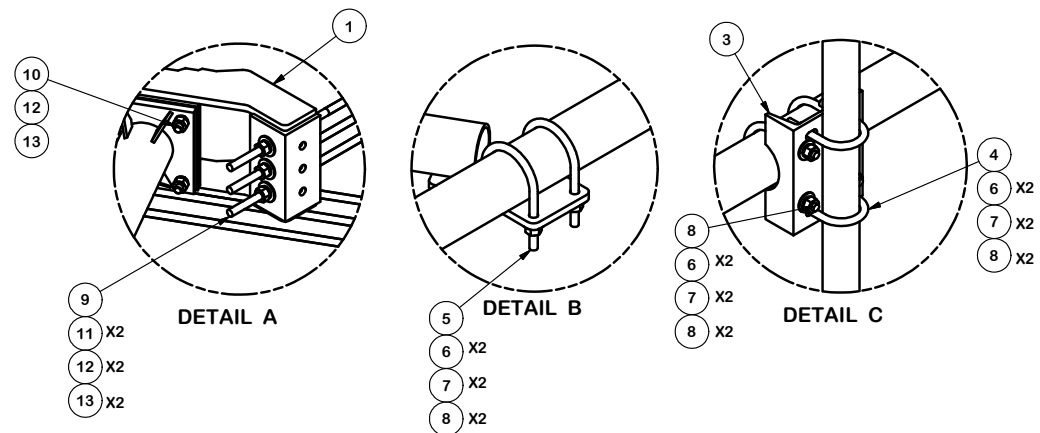


PARTS LIST						
ITEM	QTY	PART NO.	PART DESCRIPTION	LENGTH	UNIT WT.	NET WT.
1	6	X-LWRM	RING MOUNT WELDMENT		68.81	412.85
2	6	X-ULP	SUPPORT ARM WELDMENT		103.07	618.40
3	24	X-SP219	SMALL SUPPORT CROSS PLATE	8-3/4"	8.61	206.66
4	48	X-UB1212	1/2" X 2-1/2" X 4-1/2" X 2" U-BOLT (HDG.)		0.26	12.34
5	72	X-UB1306	1/2" X 3-5/8" X 6" X 3" U-BOLT (HDG.)		0.26	18.50
6	240	G12FW	1/2" HDG USS FLATWASHER	0.095	0.03	8.18
7	240	G12LW	1/2" HDG LOCKWASHER	.125	0.01	3.34
8	240	G12NUT	1/2" HDG HEAVY 2H HEX NUT		0.07	17.19
9	18	G58R-24	5/8" X 24" GALV THREADED ROD		2.20	39.52
9	18	G58R-48	5/8" X 48" GALV THREADED ROD		4.39	79.03
10	24	A58234	5/8" x 2-3/4" HDG A325 HEX BOLT	2-3/4"	0.36	8.54
11	36	G58FW	5/8" HDG USS FLATWASHER	.122	0.07	2.54
12	60	G58LW	5/8" HDG LOCKWASHER	.156	0.03	1.57
13	60	G58NUT	5/8" HDG HEAVY 2H HEX NUT	5/8"	0.13	7.79
14	6	P3150	3-1/2" X 150" SCH 40 GALVANIZED PIPE	150"	94.80	568.79
15	12	B	2-3/8" ANTENNA MOUNTING PIPE	C	D	E



2-3/8" ANTENNA MOUNTING PIPES					
ASSEMBLY NO. "A"	PART NO., B	LENGTH, C	UNIT WT., D	NET WT., E	TOTAL WEIGHT
ULPD12-472	P272	72"	21.97	263.64	2,331.39
ULPD12-484	P284	84"	25.63	307.56	2,375.31
ULPD12-496	P296	96"	29.29	351.48	2,419.23
ULPD12-4126	P2126	126"	40.73	488.76	2,556.51

#### TOLERANCE NOTES

TOLERANCES ON DIMENSIONS, UNLESS OTHERWISE NOTED ARE:  
 SAWED, SHEARED AND GAS CUT EDGES ( $\pm 0.030"$ )  
 DRILLED AND GAS CUT HOLES ( $\pm 0.030"$ ) - NO CONING OF HOLES  
 LASER CUT EDGES AND HOLES ( $\pm 0.010"$ ) - NO CONING OF HOLES  
 BENDS ARE  $\pm 1/2$  DEGREE  
 ALL OTHER MACHINING ( $\pm 0.030"$ )  
 ALL OTHER ASSEMBLY ( $\pm 0.060"$ )

PROPRIETARY NOTE:  
 THE DATA AND TECHNIQUES CONTAINED IN THIS DRAWING ARE PROPRIETARY INFORMATION OF VALMONT INDUSTRIES AND CONSIDERED A TRADE SECRET. ANY USE OR DISCLOSURE WITHOUT THE CONSENT OF VALMONT INDUSTRIES IS STRICTLY PROHIBITED.

#### DESCRIPTION

DUAL LEVEL ULTRA LOW PROFILE  
 RIGID T-ARM FOR 12 ANTENNAS

CPD NO.	DRAWN BY CEK 1/29/2014	ENG. APPROVAL
CLASS 81	SUB 01	DRAWING USAGE CUSTOMER
	CHECKED BY BMC 1/31/2014	



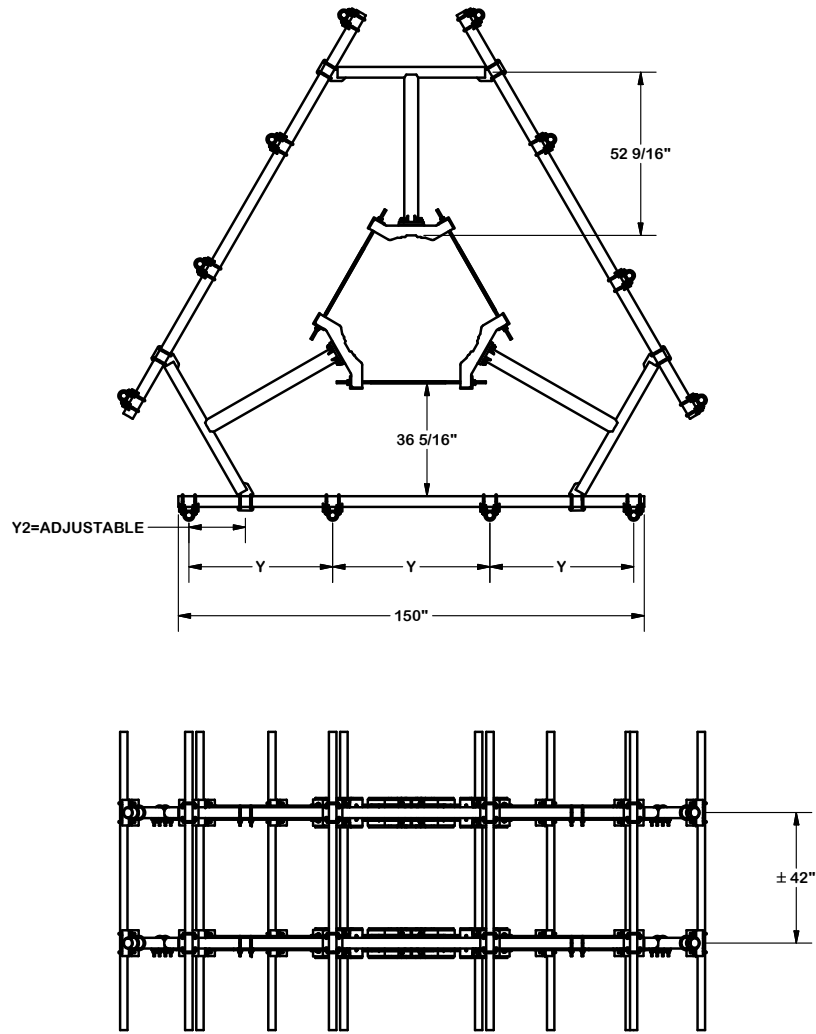
A valmont COMPANY

Engineering Support Team:  
 1-888-753-7446

Locations:  
 New York, NY  
 Atlanta, GA  
 Los Angeles, CA  
 Plymouth, IN  
 Salem, OR  
 Dallas, TX

PART NO.  
**SEE ASSEMBLY NO. "A"**

DWG. NO.  
**ULPD12-4XX**



**TOLERANCE NOTES**

TOLERANCES ON DIMENSIONS, UNLESS OTHERWISE NOTED ARE:  
 SAWED, SHEARED AND GAS CUT EDGES ( $\pm 0.030"$ )  
 DRILLED AND GAS CUT HOLES ( $\pm 0.030"$ ) - NO CONING OF HOLES  
 LASER CUT EDGES AND HOLES ( $\pm 0.010"$ ) - NO CONING OF HOLES  
 BENDS ARE  $\pm 1/2$  DEGREE  
 ALL OTHER MACHINING ( $\pm 0.030"$ )  
 ALL OTHER ASSEMBLY ( $\pm 0.060"$ )

PROPRIETARY NOTE:  
 THE DATA AND TECHNIQUES CONTAINED IN THIS DRAWING ARE PROPRIETARY INFORMATION OF VALMONT INDUSTRIES AND CONSIDERED A TRADE SECRET. ANY USE OR DISCLOSURE WITHOUT THE CONSENT OF VALMONT INDUSTRIES IS STRICTLY PROHIBITED.

DESCRIPTION  
**DUAL LEVEL ULTRA LOW PROFILE RIGID T-ARM FOR 12 ANTENNAS**

CPD NO.	DRAWN BY CEK 1/29/2014	ENG. APPROVAL
CLASS 81	SUB 01	DRAWING USAGE CUSTOMER
CHECKED BY BMC 1/31/2014		



Locations:  
 New York, NY  
 Atlanta, GA  
 Los Angeles, CA  
 Plymouth, IN  
 Salem, OR  
 Dallas, TX  
 Engineering Support Team:  
 1-888-753-7446

PART NO. <b>SEE ASSEMBLY NO. "A"</b>	PAGE 2 OF 2
DWG. NO. <b>ULPD12-4XX</b>	