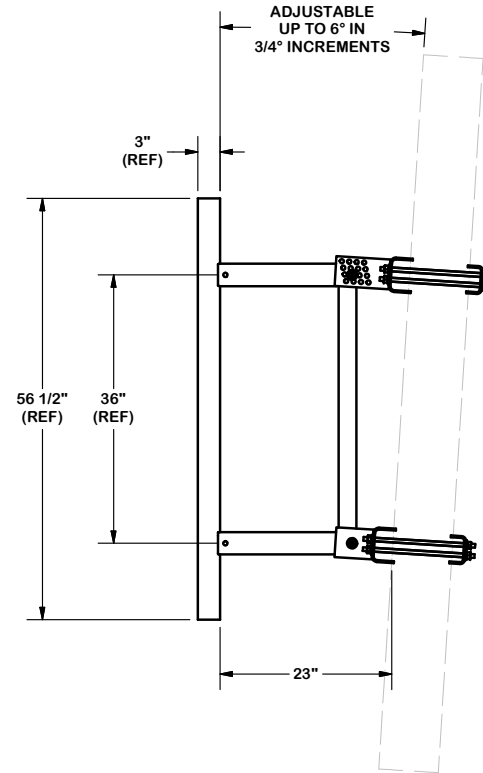
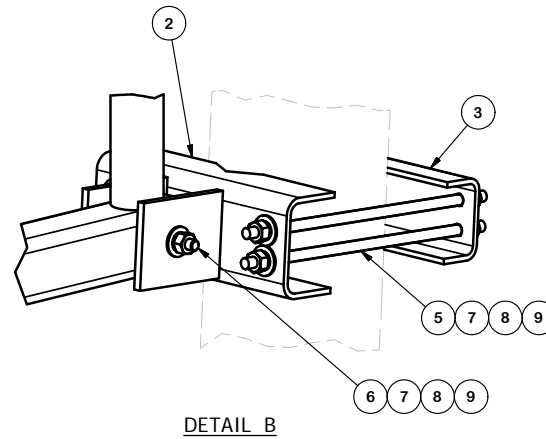
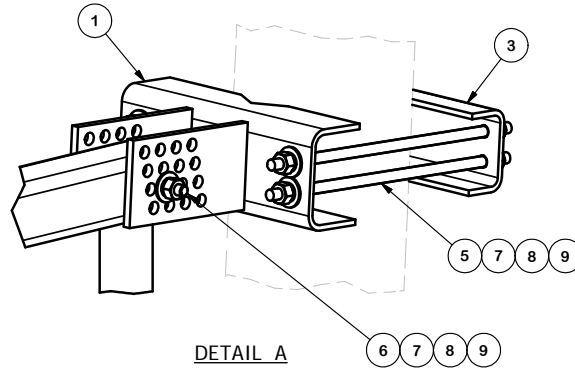
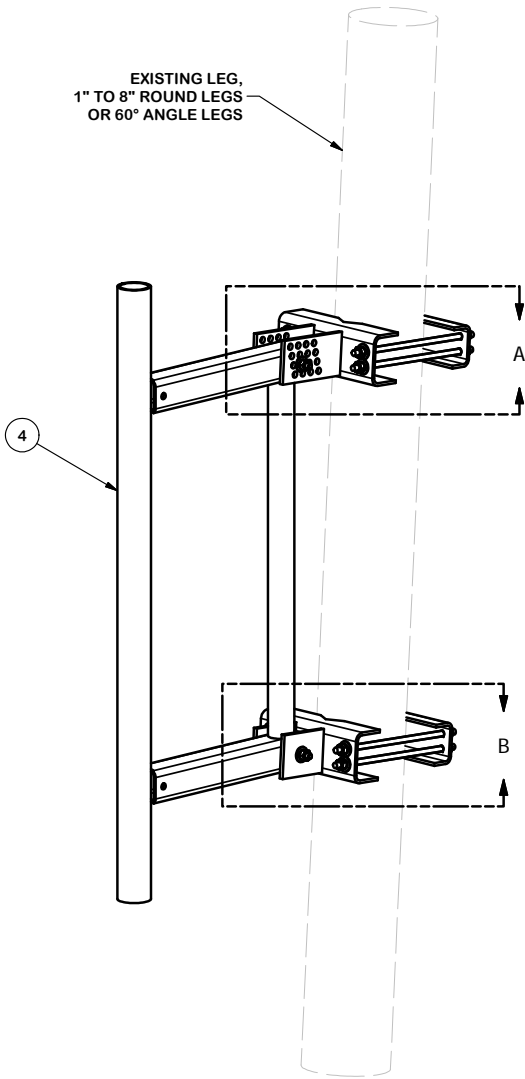


EXISTING LEG,
1" TO 8" ROUND LEGS
OR 60° ANGLE LEGS



PARTS LIST

ITEM	QTY	PART NO.	PART DESCRIPTION	LENGTH	UNIT WT.	NET WT.
1	1	CFM	UPPER GATE FOOT WELDMENT		13.90	13.90
2	1	CFS	LOWER GATE FOOT WELDMENT		12.72	12.72
3	2	GBB	GATE BACKING BAR		4.53	9.06
4	1	2PBG	24" PIPE MOUNT STANDOFF ARM		71.96	71.96
5	8	G12R-12	1/2" x 12" GALV. THREADED ROD		0.67	5.35
5	8	G12R-15	1/2" x 15" GALV. THREADED ROD		0.84	6.69
6	2	A1205	1/2" x 5" A325 HDG BOLT		0.34	0.69
7	18	G12FW	1/2" HDG USS FLATWASHER		0.03	0.61
8	18	G12LW	1/2" HDG LOCKWASHER		0.01	0.25
9	18	G12NUT	1/2" HDG HEAVY 2H HEX NUT		0.07	1.29
TOTAL WT. #						128.25

TOLERANCE NOTES

TOLERANCES ON DIMENSIONS, UNLESS OTHERWISE NOTED ARE:
 SAWED, SHEARED AND GAS CUT EDGES ($\pm 0.030"$)
 DRILLED AND GAS CUT HOLES ($\pm 0.030"$) - NO CONING OF HOLES
 LASER CUT EDGES AND HOLES ($\pm 0.010"$) - NO CONING OF HOLES
 BENDS ARE $\pm 1/2$ DEGREE
 ALL OTHER MACHINING ($\pm 0.030"$)
 ALL OTHER ASSEMBLY ($\pm 0.060"$)

PROPRIETARY NOTE:
 THE DATA AND TECHNIQUES CONTAINED IN THIS DRAWING ARE PROPRIETARY INFORMATION OF VALMONT INDUSTRIES AND CONSIDERED A TRADE SECRET. ANY USE OR DISCLOSURE WITHOUT THE CONSENT OF VALMONT INDUSTRIES IS STRICTLY PROHIBITED.

DESCRIPTION

24" ULTIMATE UNIVERSAL
 STANDOFF FRAME



Engineering
 Support Team:
 1-888-753-7446

Locations:
 New York, NY
 Atlanta, GA
 Los Angeles, CA
 Plymouth, IN
 Salem, OR
 Dallas, TX

CPD NO.	DRAWN BY RCH 2/1/2011	ENG. APPROVAL
CLASS 81	SUB 01	DRAWING USAGE CUSTOMER
	CHECKED BY BMC 2/16/2011	

PART NO.	USF-2U	PAGE 1 OF 1
DWG. NO.	USF-2U	