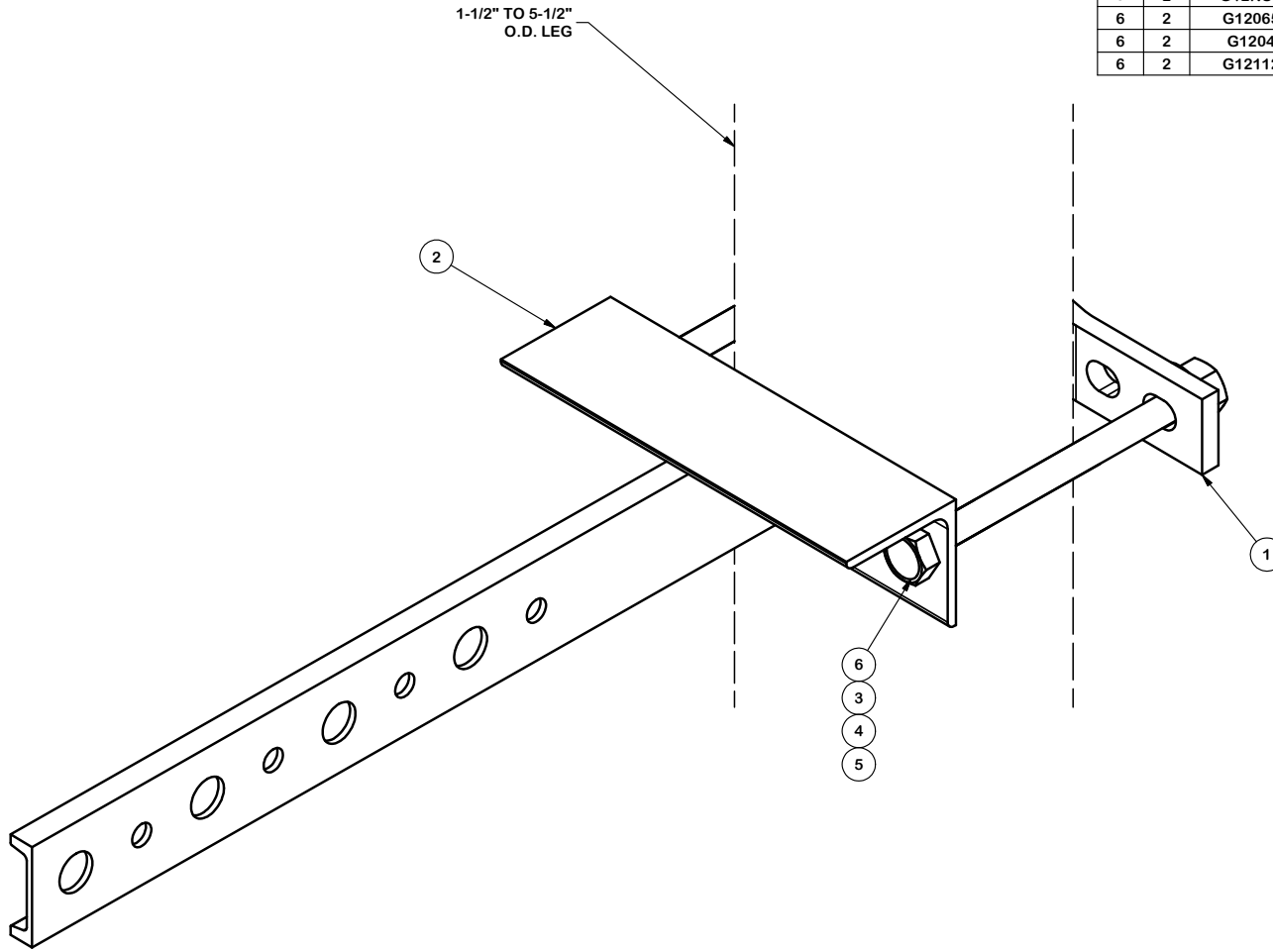


PARTS LIST						
ITEM	QTY	PART NO.	PART DESCRIPTION	LENGTH	UNIT WT.	NET WT.
1	1	X-116344	V-CLAMP (4" & 6 5/8" HOLE CENTERS)	8.625 in	1.29	1.29
2	1	X-112239	TRANSMISSION LINE BRACKET WELDMENT		4.16	4.16
3	2	G12FW	1/2" HDG USS FLATWASHER		0.03	0.07
4	2	G12LW	1/2" HDG LOCKWASHER		0.01	0.03
5	2	G12NUT	1/2" HDG HEAVY 2H HEX NUT		0.07	0.14
6	2	G12065	1/2" x 6-1/2" HDG HEX BOLT GR5 FULL THREAD	7-1/2	0.41	0.82
6	2	G1204	1/2" x 4" HDG HEX BOLT GR5 FULL THREAD	4	0.27	0.54
6	2	G12112	1/2" x 1-1/2" HDG HEX BOLT GR5	1 1/2	0.15	0.30
					TOTAL WT. #	7.09



**TOLERANCE NOTES**

TOLERANCES ON DIMENSIONS, UNLESS OTHERWISE NOTED ARE:  
 SAWED, SHEARED AND GAS CUT EDGES ( $\pm 0.030"$ )  
 DRILLED AND GAS CUT HOLES ( $\pm 0.030"$ ) - NO CONING OF HOLES  
 LASER CUT EDGES AND HOLES ( $\pm 0.010"$ ) - NO CONING OF HOLES  
 BENDS ARE  $\pm 1/2$  DEGREE  
 ALL OTHER MACHINING ( $\pm 0.030"$ )  
 ALL OTHER ASSEMBLY ( $\pm 0.060"$ )

PROPRIETARY NOTE:  
 THE DATA AND TECHNIQUES CONTAINED IN THIS DRAWING ARE PROPRIETARY INFORMATION OF VALMONT INDUSTRIES AND CONSIDERED A TRADE SECRET. ANY USE OR DISCLOSURE WITHOUT THE CONSENT OF VALMONT INDUSTRIES IS STRICTLY PROHIBITED.

DESCRIPTION  
 HEAVY DUTY UNIVERSAL  
 COAX SUPPORT BRACKET  
 (1-1/2" TO 5-1/2" O.D. LEG)

**SITE PRO 1**  
 A valmont COMPANY

Engineering Support Team:  
 1-888-753-7446

Locations:  
 New York, NY  
 Atlanta, GA  
 Los Angeles, CA  
 Plymouth, IN  
 Salem, OR  
 Dallas, TX

CPD NO.	DRAWN BY CEK 11/17/2010	ENG. APPROVAL
CLASS 81	SUB 02	DRAWING USAGE SHOP
	CHECKED BY BMC 11/18/2010	

PART NO.	UTL4	PAGE 1 OF 1
DWG. NO.	UTL4	