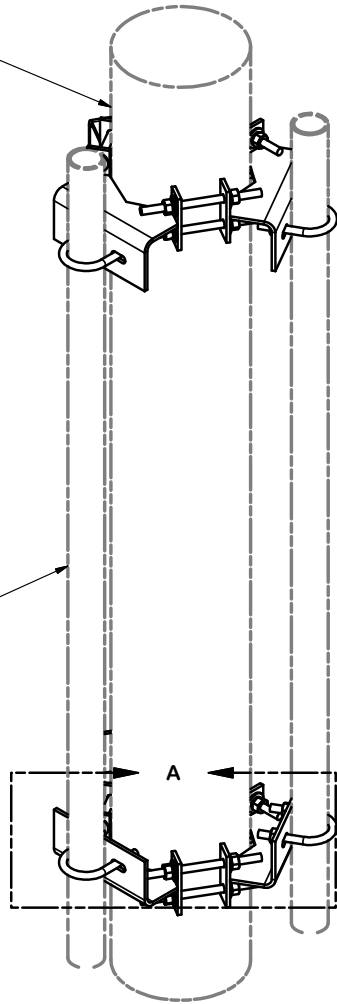
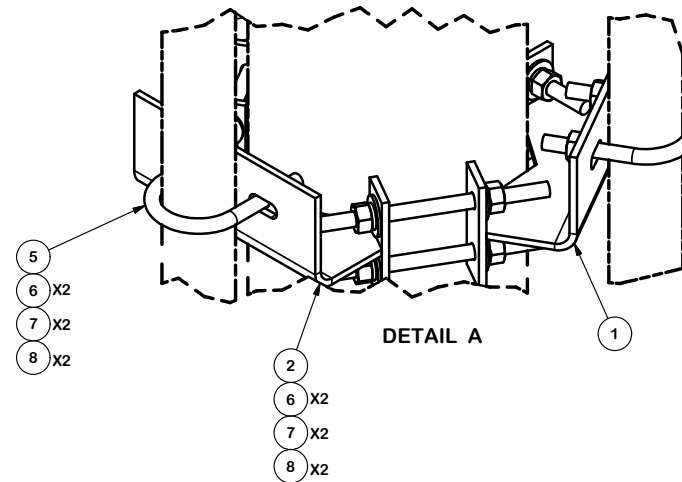


CONNECTS TO EXISTING TOWER LEG:
6" TO 10"

2-3/8" TO 3-1/2"
ANTENNA MOUNTING PIPES
SOLD SEPARATELY



PARTS LIST						
ITEM	QTY	PART NO.	PART DESCRIPTION	LENGTH	UNIT WT.	NET WT.
1	6	X-UTSML	UNIVERSAL TRI-SECTOR MOUNT WEDLEMNT FOR LARGER LEGS		4.74	28.44
2	12	G12R-8	1/2" x 8" THREADED ROD (HDG.)		0.45	5.35
3	6	X-UB1358	1/2" X 3-5/8" X 5-1/2" X 3" U-BOLT (HDG.)		0.77	4.63
4	6	X-UB1300	1/2" X 3" X 5" X 2" U-BOLT (HDG.)		0.67	4.01
5	6	X-UB1212	1/2" X 2-1/2" X 4-1/2" X 2" U-BOLT (HDG.)		0.60	3.58
6	36	G12FW	1/2" HDG USS FLATWASHER	3/32 in	0.03	1.23
7	36	G12LW	1/2" HDG LOCKWASHER	1/8 in	0.01	0.50
8	36	G12NUT	1/2" HDG HEAVY 2H HEX NUT		0.07	2.58
					TOTAL WT. #	45.81



TOLERANCE NOTES

TOLERANCES ON DIMENSIONS, UNLESS OTHERWISE NOTED ARE:
 SAWED, SHEARED AND GAS CUT EDGES ($\pm 0.030"$)
 DRILLED AND GAS CUT HOLES ($\pm 0.030"$) - NO CONING OF HOLES
 LASER CUT EDGES AND HOLES ($\pm 0.010"$) - NO CONING OF HOLES
 BENDS ARE $\pm 1/2$ DEGREE
 ALL OTHER MACHINING ($\pm 0.030"$)
 ALL OTHER ASSEMBLY ($\pm 0.060"$)

PROPRIETARY NOTE:
 THE DATA AND TECHNIQUES CONTAINED IN THIS DRAWING ARE PROPRIETARY INFORMATION OF VALMONT INDUSTRIES AND CONSIDERED A TRADE SECRET. ANY USE OR DISCLOSURE WITHOUT THE CONSENT OF VALMONT INDUSTRIES IS STRICTLY PROHIBITED.

DESCRIPTION
 UNIVERSAL TRI-SECTOR MOUNT KIT
 FOR LARGER LEGS

CPD NO.	DRAWN BY CEK	3/7/2019	ENG. APPROVAL
CLASS 81	SUB 02	DRAWING USAGE CUSTOMER	CHECKED BY BMC 3/12/2019



Engineering Support Team:
 1-888-753-7446

Locations:
 New York, NY
 Atlanta, GA
 Los Angeles, CA
 Plymouth, IN
 Salem, OR
 Dallas, TX
 Tampa, FL

PART NO.	UTSM-L
DWG. NO.	UTSM-L