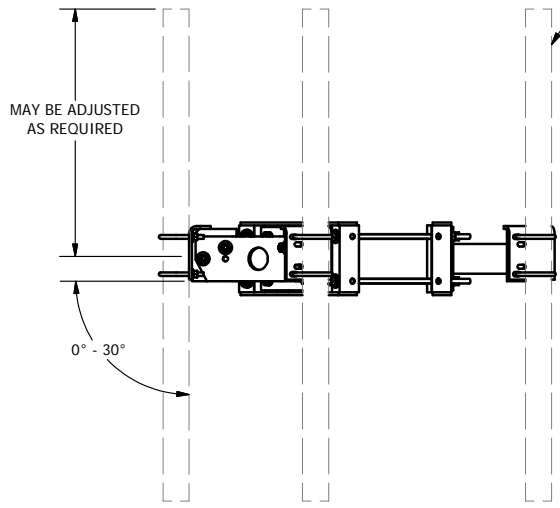
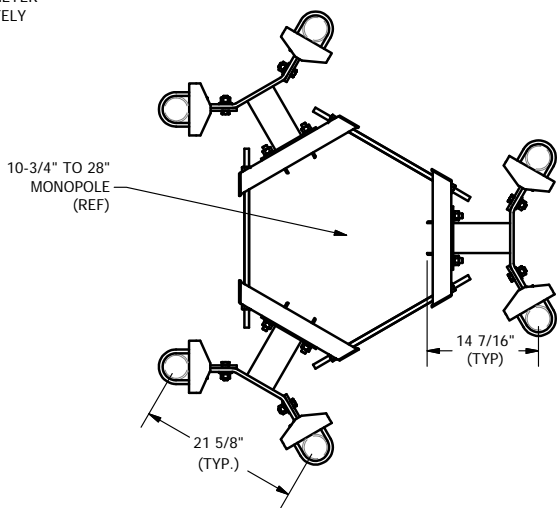
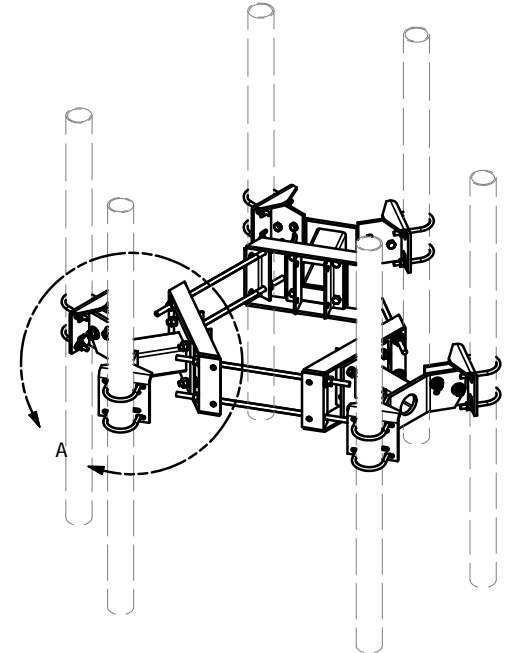
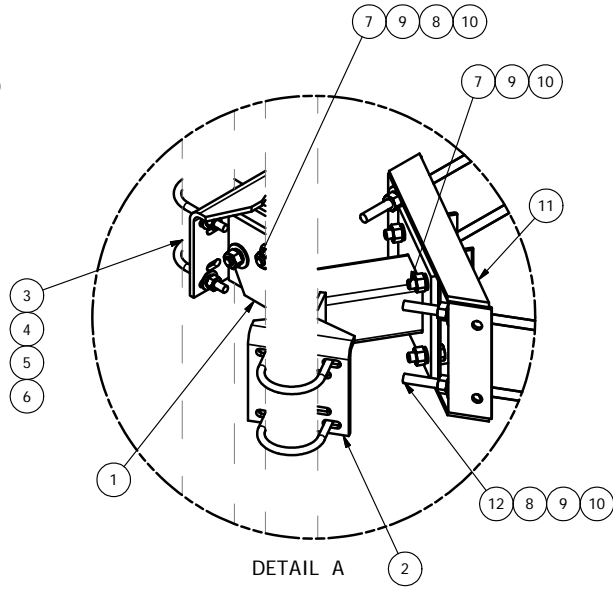


NOTE:
FOR POLE SIZES
28" TO 42" DIAMETER
ORDER SEPARATELY
PART # "LP-42"

PARTS LIST						
ITEM	QTY	PART NO.	PART DESCRIPTION	LENGTH	UNIT WT.	NET WT.
1	3	X-210717	STANDOFF BRACKET WELDMENT		28.58	85.74
2	6	X-ATB	PIPE ATTACHMENT BRACKET		10.68	64.10
3	12	X-UB1358	1/2" X 3-5/8" X 5-1/2" X 3" U-BOLT (HDG.)		0.77	9.27
3	12	X-UB1300	1/2" X 3" X 5" X 2" U-BOLT (HDG.)		0.70	8.40
3	12	X-UB1212	1/2" X 2-1/2" X 4-1/2" X 2" U-BOLT (HDG.)		0.63	7.56
4	24	G12FW	1/2" HDG USS FLATWASHER		0.03	0.82
5	24	G12LW	1/2" HDG LOCKWASHER		0.01	0.33
6	24	G12NUT	1/2" HDG HEAVY 2H HEX NUT		0.07	1.72
7	24	G5802	5/8" x 2" HDG HEX BOLT GR5		0.27	6.52
8	23	G58FW	5/8" HDG USS FLATWASHER		0.07	1.62
9	35	G58LW	5/8" HDG LOCKWASHER		0.03	0.91
10	35	G58NUT	5/8" HDG HEAVY 2H HEX NUT		0.13	4.55
11	3	X-UGLM	MINI RING MOUNT WELDMENT		21.67	65.00
12	6	G58R-24	5/8" x 24" THREADED ROD (HDG.)		2.09	12.54
12	6	G58R-14	5/8" x 14" THREADED ROD (HDG.)		1.22	7.32
					TOTAL WT. #	276.40



2-3/8" TO 3-1/2"
O.D. PIPE
(ORDER SEPARATELY)




REV	DESCRIPTION OF REVISIONS	CPD	BY	DATE
A	REPLACED X-210746 WITH X-ATB	4779	CEK	1/5/2012
REVISION HISTORY				

TOLERANCE NOTE
TOLERANCES ON DIMENSIONS, UNLESS OTHERWISE NOTED ARE:
SAWED, SHEARED AND GAS CUT EDGES ($\pm 0.030"$)
DRILLED AND GAS CUT HOLES ($\pm 0.030"$) - NO CONING OF HOLES
LASER CUT EDGES AND HOLES ($\pm 0.010"$) - NO CONING OF HOLES
BENDS ARE $\pm 1/2$ DEGREE - ALL OTHER MACHINING ($\pm 0.030"$)
ALL OTHER ASSEMBLY ($\pm 0.060"$)

PROPRIETARY NOTE
THE DATA AND TECHNIQUES CONTAINED IN THIS DRAWING ARE PROPRIETARY INFORMATION OF VALMONT INDUSTRIES AND CONSIDERED A TRADE SECRET. ANY USE OR DISCLOSURE WITHOUT THE CONSENT OF VALMONT INDUSTRIES IS STRICTLY PROHIBITED.

DESCRIPTION ANTENNA MOUNT - MONOPOLE (14-1/2" STANDOFF)	
DRAWN BY CEK	CPD NO. 4779
ENG. APPROVAL	CHECKED BY BMC
DRAWING USAGE CUSTOMER	DATE 1/6/2012



SITE PRO 1

Engineering Support Team:
1-888-753-7446

A valmont COMPANY

Locations:
New York, NY
Atlanta, GA
Los Angeles, CA
Plymouth, IN
Salem, OR
Dallas, TX

PART NO.	UWS6-NP
DWG. NO.	UWS6-NP