

PARTS LIST						
ITEM	QTY	PART NO.	PART DESCRIPTION	LENGTH	UNIT WT.	NET WT.
1	6	X-LWRM	RING MOUNT WELDMT		68.81	412.85
2	3	X-RMBPTC	RING MOUNT BENT PLATE TOP CONNECTION	13 in	14.80	44.41
3	3	X-RMBPBC	RING MOUNT BENT PLATE BOTTOM CONNECTION	12 in	14.80	44.41
4	6	X-VFAPL3	VFA-HD PIVOT PLATE	24 in	9.69	58.15
5	6	X-VFAW	SUPPORT ARM		66.80	400.78
6	24	SCX2	CROSSOVER PLATE	7 in	4.80	115.11
7	3	P284	2-3/8" X 84" SCH 40 GALVANIZED PIPE	84 in	26.91	80.74
8	6	P30126	2-7/8" O.D. X 126" SCH. 40 PIPE	126 in	76.94	461.62
9	6	X-127594	FLAT DISK CLAMP PLATE 4" CENTERS (GALV.)		2.48	14.90
10	12	X-100064	CLAMP (4" V-CLAMP) GALVANIZED		0.91	10.95
11	6	A34212	3/4" x 2-1/2" UNC HEX BOLT (A325)	2 1/2 in	0.48	2.87
12	6	G34LW	3/4" HDG LOCKWASHER		0.04	0.26
13	6	G34NUT	3/4" HDG HEAVY 2H HEX NUT		0.21	1.27
14	18	G58R-48	5/8" x 48" THREADED ROD (HDG.)	48 in	0.40	7.18
15	12	X-UB5300	5/8" X 3" X 5-1/4" X 2-1/2" U-BOLT (HDG.)		1.15	13.79
16	24	A582112	5/8" x 2-1/2" HDG A325 HEX BOLT	2 1/2 in	0.33	8.02
17	24	A582114	5/8" x 2-1/4" HDG A325 HEX BOLT	2 1/4 in	0.31	7.50
18	108	G58LW	5/8" HDG LOCKWASHER		0.03	2.82
19	108	G58NUT	5/8" HDG HEAVY 2H HEX NUT		0.13	14.03
20	48	X-UB1212	1/2" X 2-1/2" X 4-1/2" X 2" U-BOLT (HDG.)		0.26	12.34
21	96	X-UB1300	1/2" X 3" X 5" X 2" GALV U-BOLT		0.74	70.91
22	12	G12065	1/2" x 6-1/2" HDG HEX BOLT GR5 FULL THREAD	6 1/2 in	0.41	4.91
23	12	G1204	1/2" x 4" HDG HEX BOLT GR5 FULL THREAD	4 in	0.27	3.24
24	216	G12FW	1/2" HDG USS FLATWASHER	3/32 in	0.03	7.36
25	216	G12LW	1/2" HDG LOCKWASHER	1/8 in	0.01	3.00
26	216	G12NUT	1/2" HDG HEAVY 2H HEX NUT		0.07	15.47
					TOTAL WT. #	1904.67

ANT 15996

TOLERANCE NOTES

TOLERANCES ON DIMENSIONS, UNLESS OTHERWISE NOTED ARE:
 SAWED, SHEARED AND GAS CUT EDGES ($\pm 0.030"$)
 DRILLED AND GAS CUT HOLES ($\pm 0.030"$) - NO CONING OF HOLES
 LASER CUT EDGES AND HOLES ($\pm 0.010"$) - NO CONING OF HOLES
 BENDS ARE $\pm 1/2$ DEGREE
 ALL OTHER MACHINING ($\pm 0.030"$)
 ALL OTHER ASSEMBLY ($\pm 0.060"$)

PROPRIETARY NOTE:
 THE DATA AND TECHNIQUES CONTAINED IN THIS DRAWING ARE PROPRIETARY INFORMATION OF VALMONT INDUSTRIES AND CONSIDERED A TRADE SECRET. ANY USE OR DISCLOSURE WITHOUT THE CONSENT OF VALMONT INDUSTRIES IS STRICTLY PROHIBITED.

DESCRIPTION

THREE SECTOR HEAVY 10 FRAME
 AND MONOPOLE ATTACHMENT HARDWARE
 NO MOUNTING PIPES

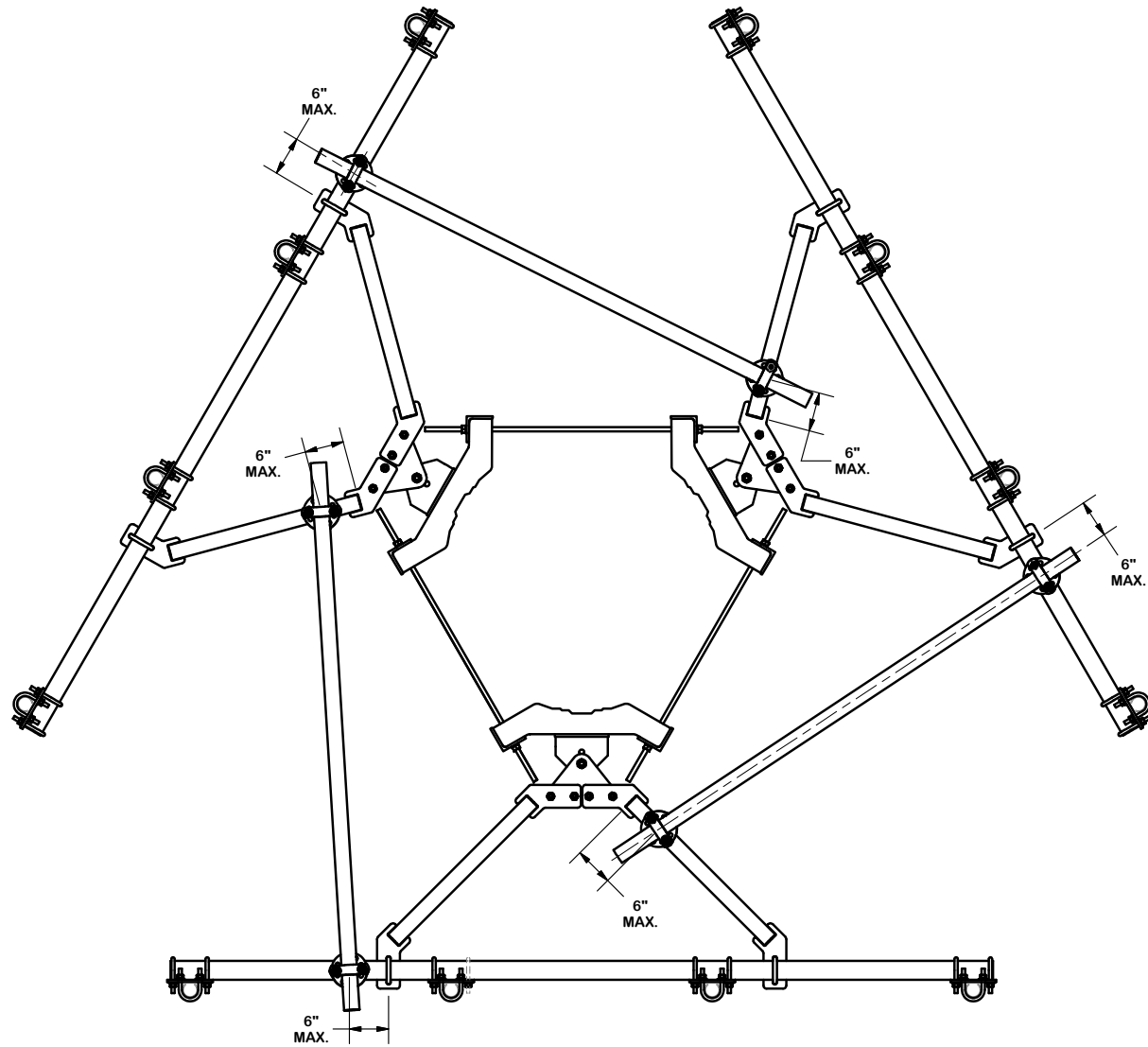


Engineering Support Team:
 1-888-753-7446

Locations:
 New York, NY
 Atlanta, GA
 Los Angeles, CA
 Plymouth, IN
 Salem, OR
 Dallas, TX

CPD NO.	DRAWN BY	ENG. APPROVAL
CLASS	DRAWING USAGE	CHECKED BY
81	02	CUSTOMER
		BMC 10/17/2016

PART NO.	VFA10-HD3L4NP
DWG. NO.	VFA10-HD3L4NP



ANT 15996

TOLERANCE NOTES

TOLERANCES ON DIMENSIONS, UNLESS OTHERWISE NOTED ARE:
 SAWED, SHEARED AND GAS CUT EDGES ($\pm 0.030"$)
 DRILLED AND GAS CUT HOLES ($\pm 0.030"$) - NO CONING OF HOLES
 LASER CUT EDGES AND HOLES ($\pm 0.010"$) - NO CONING OF HOLES
 BENDS ARE $\pm 1/2$ DEGREE
 ALL OTHER MACHINING ($\pm 0.030"$)
 ALL OTHER ASSEMBLY ($\pm 0.060"$)

PROPRIETARY NOTE:
 THE DATA AND TECHNIQUES CONTAINED IN THIS DRAWING ARE PROPRIETARY INFORMATION OF VALMONT INDUSTRIES AND CONSIDERED A TRADE SECRET. ANY USE OR DISCLOSURE WITHOUT THE CONSENT OF VALMONT INDUSTRIES IS STRICTLY PROHIBITED.

DESCRIPTION
 THREE SECTOR HEAVY 10 FRAME
 AND MONOPOLE ATTACHMENT HARDWARE
 NO MOUNTING PIPES

CPD NO.	DRAWN BY	ENG. APPROVAL
CLASS	DRAWING USAGE	CHECKED BY
81	02	BMC 10/17/2016
	CUSTOMER	

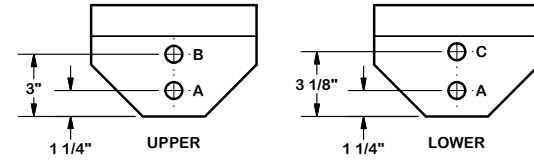
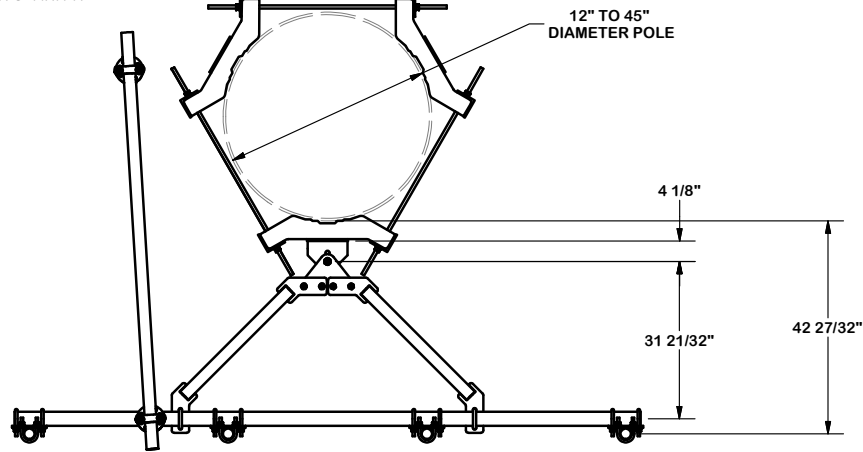


Locations:
 New York, NY
 Atlanta, GA
 Los Angeles, CA
 Plymouth, IN
 Salem, OR
 Dallas, TX

Engineering
 Support Team:
 1-888-753-7446

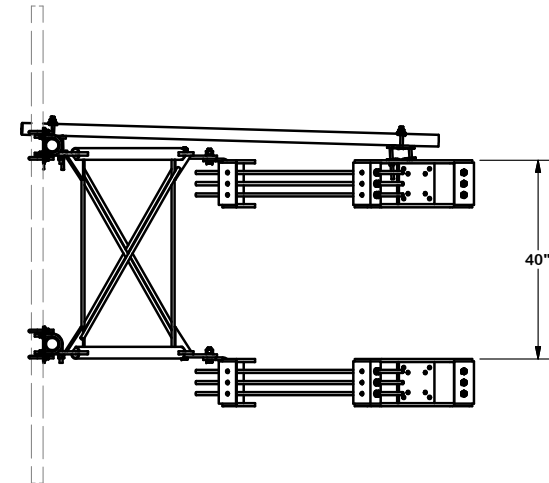
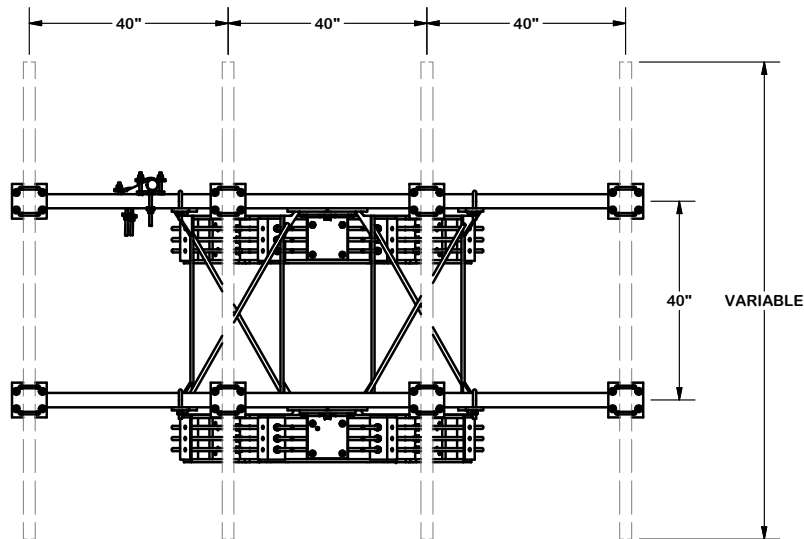
PART NO.	VFA10-HD3L4NP
DWG. NO.	VFA10-HD3L4NP

NOTE:
OTHER SECTORS REMOVED FOR CLARITY.



NOTES:

1. USE HOLE "A" IN UPPER AND LOWER BRACKETS FOR STRAIGHT LEGS.
2. USE HOLE "A" IN UPPER BRACKET AND HOLE "C" IN LOWER BRACKET FOR 3°.
3. USE HOLE "B" IN UPPER BRACKET AND HOLE "C" IN LOWER BRACKET FOR 0.2°.



ANT 15996

TOLERANCE NOTES

TOLERANCES ON DIMENSIONS, UNLESS OTHERWISE NOTED ARE:
 SAWED, SHEARED AND GAS CUT EDGES (± 0.030 ")
 DRILLED AND GAS CUT HOLES (± 0.030 ") - NO CONING OF HOLES
 LASER CUT EDGES AND HOLES (± 0.010 ") - NO CONING OF HOLES
 BENDS ARE $\pm 1/2$ DEGREE
 ALL OTHER MACHINING (± 0.030 ")
 ALL OTHER ASSEMBLY (± 0.060 ")

PROPRIETARY NOTE:
 THE DATA AND TECHNIQUES CONTAINED IN THIS DRAWING ARE PROPRIETARY INFORMATION OF VALMONT INDUSTRIES AND CONSIDERED A TRADE SECRET. ANY USE OR DISCLOSURE WITHOUT THE CONSENT OF VALMONT INDUSTRIES IS STRICTLY PROHIBITED.

DESCRIPTION

THREE SECTOR HEAVY 10 FRAME
 AND MONOPOLE ATTACHMENT HARDWARE
 NO MOUNTING PIPES

CPD NO.	DRAWN BY CEK 9/15/2016	ENG. APPROVAL
CLASS 81	SUB 02	DRAWING USAGE CUSTOMER
	CHECKED BY BMC 10/17/2016	

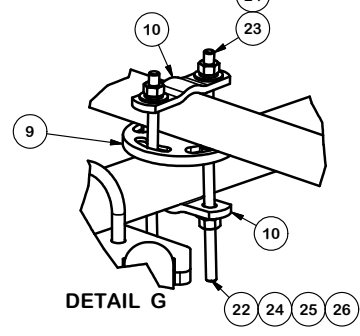
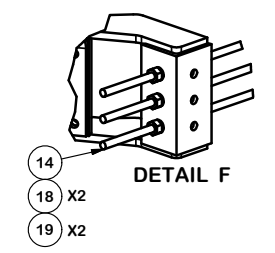
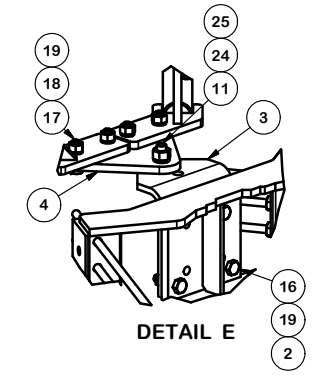
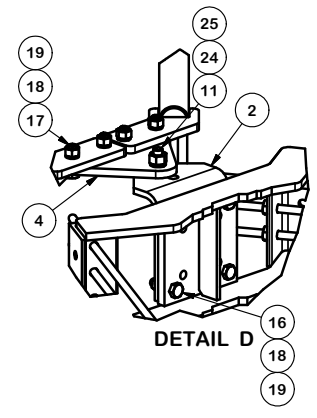
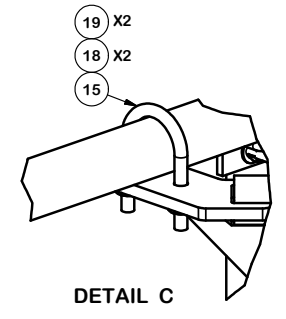
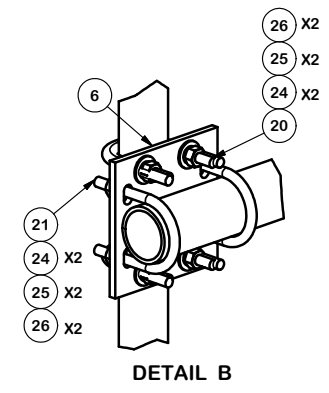
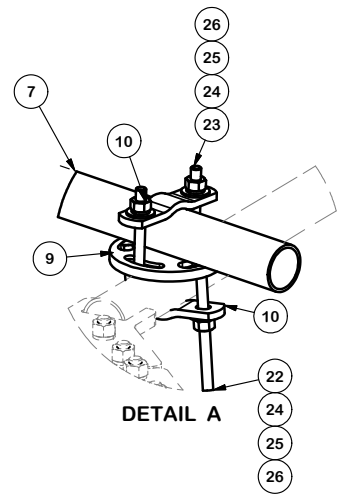
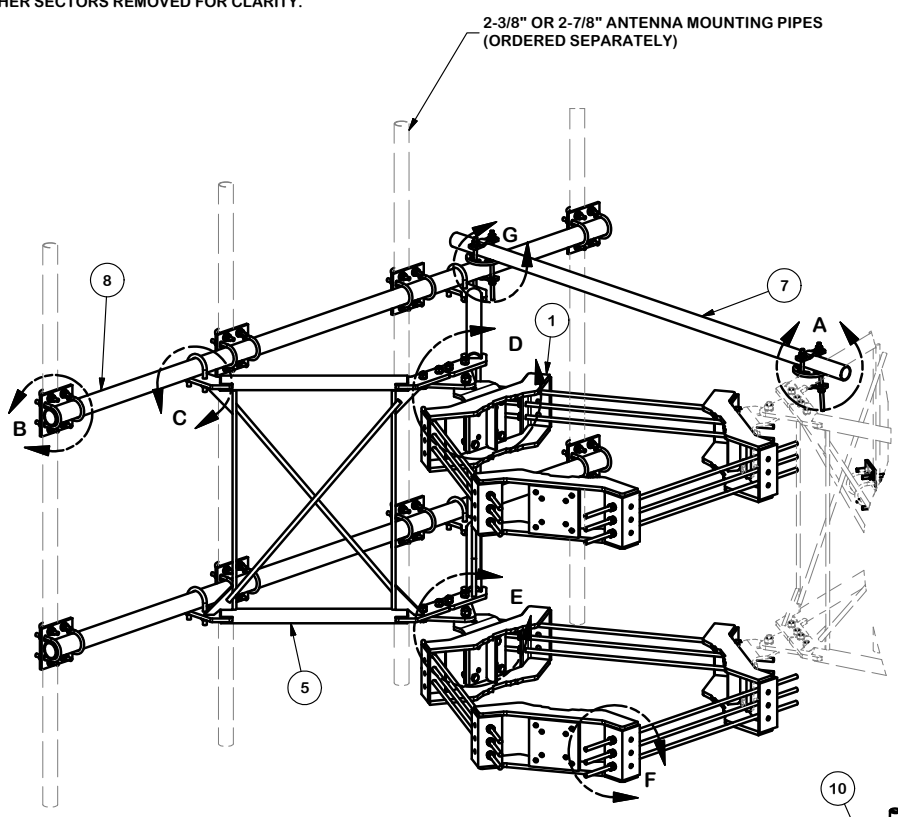


Engineering
 Support Team:
 1-888-753-7446

Locations:
 New York, NY
 Atlanta, GA
 Los Angeles, CA
 Plymouth, IN
 Salem, OR
 Dallas, TX

PART NO.	VFA10-HD3L4NP
DWG. NO.	VFA10-HD3L4NP

NOTE:
OTHER SECTORS REMOVED FOR CLARITY.



ANT 15996

TOLERANCE NOTES
TOLERANCES ON DIMENSIONS, UNLESS OTHERWISE NOTED ARE:
 SAWED, SHEARED AND GAS CUT EDGES ($\pm 0.030"$)
 DRILLED AND GAS CUT HOLES ($\pm 0.030"$) - NO CONING OF HOLES
 LASER CUT EDGES AND HOLES ($\pm 0.010"$) - NO CONING OF HOLES
 BENDS ARE $\pm 1/2$ DEGREE
 ALL OTHER MACHINING ($\pm 0.030"$)
 ALL OTHER ASSEMBLY ($\pm 0.060"$)

PROPRIETARY NOTE:
 THE DATA AND TECHNIQUES CONTAINED IN THIS DRAWING ARE PROPRIETARY INFORMATION OF VALMONT INDUSTRIES AND CONSIDERED A TRADE SECRET. ANY USE OR DISCLOSURE WITHOUT THE CONSENT OF VALMONT INDUSTRIES IS STRICTLY PROHIBITED.

DESCRIPTION		THREE SECTOR HEAVY 10 FRAME AND MONOPOLE ATTACHMENT HARDWARE NO MOUNTING PIPES	
CPD NO.	DRAWN BY	ENG. APPROVAL	
	CEK 9/15/2016		
CLASS	SUB	DRAWING USAGE	CHECKED BY
81	02	CUSTOMER	BMC 10/17/2016

 A valmont COMPANY	Locations:	New York, NY
	Atlanta, GA	Los Angeles, CA
Engineering Support Team:	1-888-753-7446	Plymouth, IN
		Salem, OR
		Dallas, TX
PART NO.	VFA10-HD3L4NP	
DWG. NO.	VFA10-HD3L4NP	