

PARTS LIST						
ITEM	QTY	PART NO.	PART DESCRIPTION	LENGTH	UNIT WT.	NET WT.
1	2	X-VFAW	SUPPORT ARM		71.41	142.81
2	1	X-HDCAMDSS	CLAMP WELDMENT FOR BCAM-HD		28.59	28.59
3	1	X-HDMHTP	HEAVY DUTY MULTI-HOLE TAPER PLATE WELDMENT		29.36	29.36
4	1	X-HDCAMSS	ANGLE ADJUSTMENT WELDMENT FOR BCAM-HD		16.51	16.51
5	2	X-VFAPL3	VFA-HD PIVOT PLATE	24 in	9.69	19.38
6	2	X-HDLCBB	HEAVY DUTY LEG CONNECTION BACKING BRACKET	13 in	16.66	33.33
7	2	X-SPTB	SLIDING PIPE TIE BACK PLATE	5 1/2 in	5.87	11.74
8	1	X-HDCAMSP	POSITIONING PLATE WELDMENT FOR BCAM-HD		2.58	2.58
9	2	X-TBCA	TIE BACK CLIP ANGLE		2.01	4.01
10	8	SCX2	CROSSOVER PLATE	7 in	4.80	38.37
11	2	MCP	CLAMP HALF 1/2" THICK, 11-5/8" LONG	12 1/16 in	3.59	7.19
12	4	DCP	1/2" THICK, 5-3/4" CNTR TO CENTER CLAMP HALF	8 1/8 in	2.36	9.45
13	2	P30150	2-7/8" X 150" (2-1/2" SCH. 40) GALVANIZED PIPE	150 in	76.94	153.87
14	1	P2126	2-3/8" X 126" (2" SCH. 40) GALVANIZED PIPE	126 in	40.75	40.75
15	2	A34212	3/4" x 2-1/2" UNC HEX BOLT (A325)	2 1/2 in	0.48	0.96
16	2	G34LW	3/4" HDG LOCKWASHER		0.04	0.09
17	2	G34NUT	3/4" HDG HEAVY 2H HEX NUT		0.21	0.42
18	8	G58R-18	5/8" x 18" THREADED ROD (HDG.)	18 in	0.40	3.19
19	2	G58R-12	5/8" x 12" THREADED ROD (HDG.)		1.05	2.09
20	2	G58R-8	5/8" x 8" THREADED ROD (HDG.)		0.70	1.39
21	4	X-UB5300	5/8" X 3" X 5-1/4" X 2-1/2" U-BOLT (HDG.)		1.15	4.60
22	4	X-UB5258	5/8" X 2-5/8" X 4-1/2" X 2" U-BOLT (HDG.)		1.00	4.00
23	2	G5807	5/8" x 7" HDG HEX BOLT GR5 FULL THREAD	7 in	0.70	1.41
24	1	G5806	5/8" x 6" HDG HEX BOLT GR5 FULL THREAD	6 in	0.53	0.53
25	4	G5804	5/8" x 4" HDG HEX BOLT GR5		0.44	1.78
26	8	A582114	5/8" x 2-1/4" HDG A325 HEX BOLT	2 1/4 in	0.31	2.50
27	2	G5802	5/8" x 2" HDG HEX BOLT GR5		0.27	0.54
28	15	G58FW	5/8" HDG USS FLATWASHER	1/8 in	0.07	1.06
29	50	G58LW	5/8" HDG LOCKWASHER		0.03	1.30
30	53	G58NUT	5/8" HDG HEAVY 2H HEX NUT		0.13	6.88
31	32	X-UB1300	1/2" X 3" X 5" X 2" GALV U-BOLT		0.74	23.64
32	16	X-UB1212	3/8" X 2" X 3" X 1-1/4" U-BOLT (HDG.)		0.60	9.56
33	64	G12FW	1/2" HDG USS FLATWASHER	3/32 in	0.03	2.18
34	64	G12LW	1/2" HDG LOCKWASHER	1/8 in	0.01	0.89
35	64	G12NUT	1/2" HDG HEAVY 2H HEX NUT		0.07	4.58
36	4	P2120	2-3/8" x 120" (2" SCH. 40) GALAVANIZED PIPE	120 in	36.61	146.46
					TOTAL WT. #	773.39

TOLERANCE NOTES

TOLERANCES ON DIMENSIONS, UNLESS OTHERWISE NOTED ARE:
 SAWED, SHEARED AND GAS CUT EDGES (± 0.030")
 DRILLED AND GAS CUT HOLES (± 0.030") - NO CONING OF HOLES
 LASER CUT EDGES AND HOLES (± 0.010") - NO CONING OF HOLES
 BENDS ARE ± 1/2 DEGREE
 ALL OTHER MACHINING (± 0.030")
 ALL OTHER ASSEMBLY (± 0.060")

PROPRIETARY NOTE:
 THE DATA AND TECHNIQUES CONTAINED IN THIS DRAWING ARE PROPRIETARY INFORMATION OF VALMONT INDUSTRIES AND CONSIDERED A TRADE SECRET. ANY USE OR DISCLOSURE WITHOUT THE CONSENT OF VALMONT INDUSTRIES IS STRICTLY PROHIBITED.

DESCRIPTION
12' 6" HEAVY DUTY V-FRAME ASSEMBLY W/ 1 STIFF ARM & MOUNT PIPES

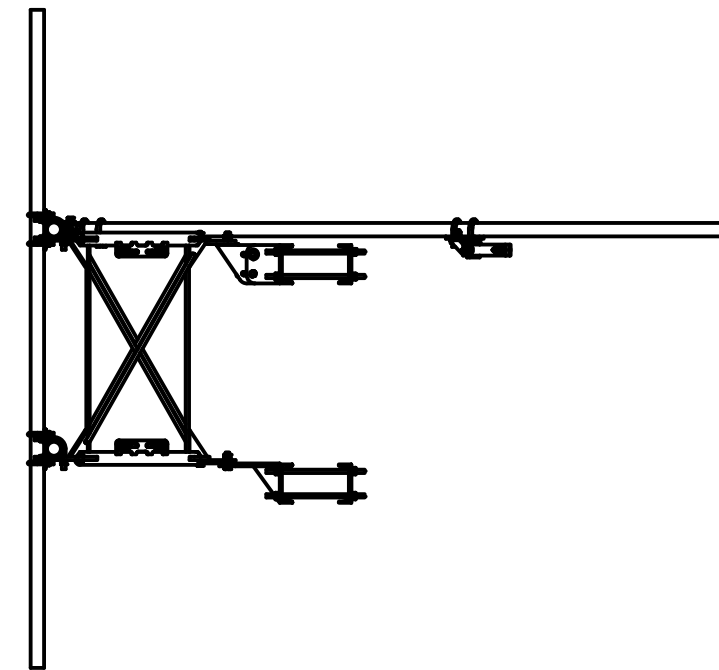
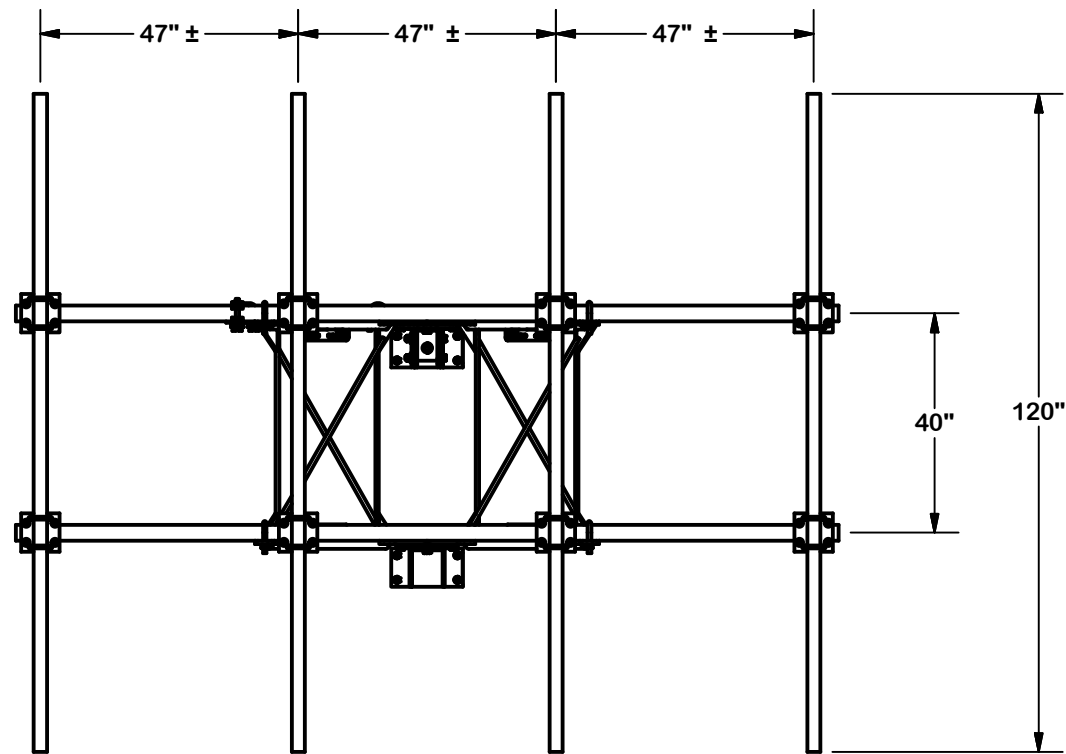
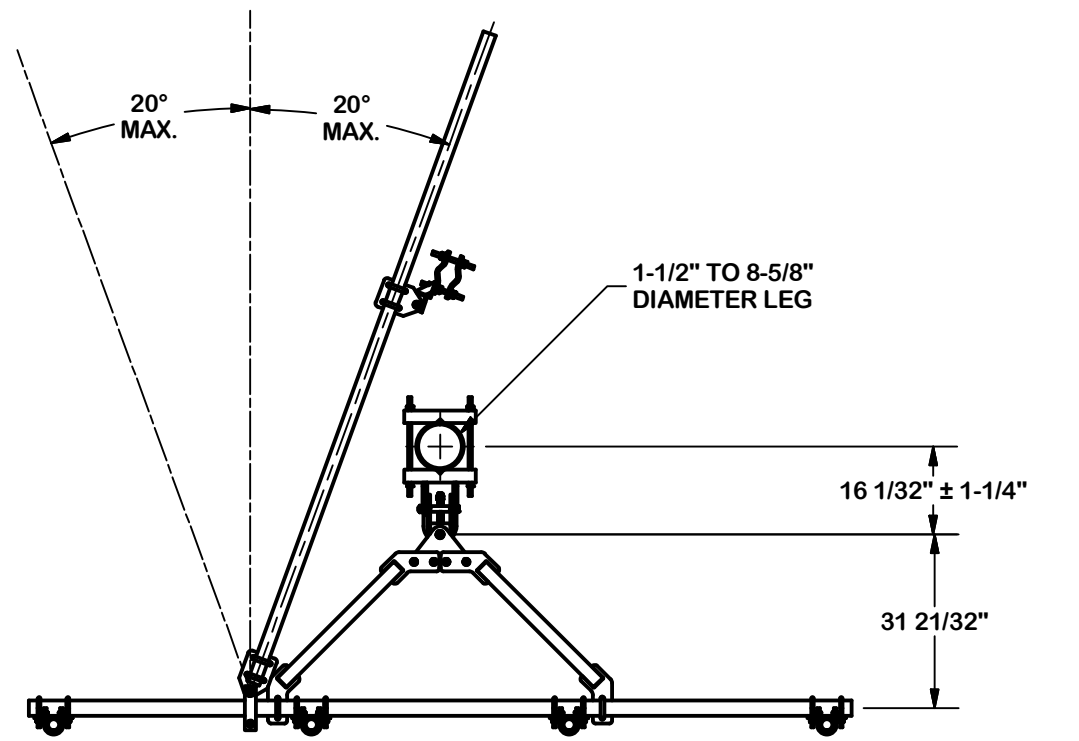
CPD NO. SP1	DRAWN BY CSL 7/3/2017	ENG. APPROVAL
CLASS 87	SUB 02	DRAWING USAGE CUSTOMER
	CHECKED BY BMC 5/3/2018	

SITE PRO 1
 A valmont COMPANY

Locations:
 New York, NY
 Atlanta, GA
 Los Angeles, CA
 Plymouth, IN
 Salem, OR
 Dallas, TX

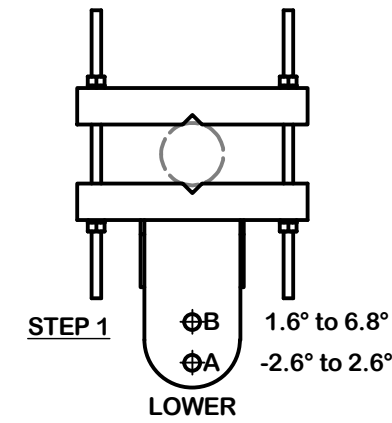
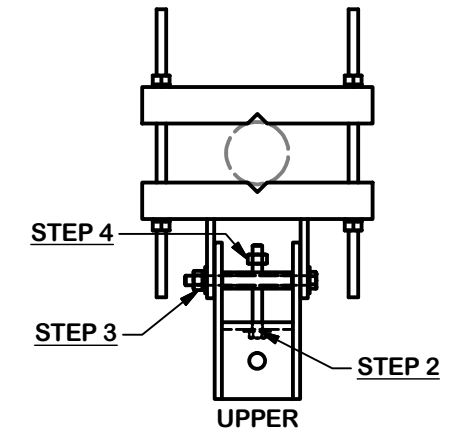
Engineering Support Team:
 1-888-753-7446

PART NO. VFA12-H10-2120	PAGE 1 OF 4
DWG. NO. VFA12-H10-2120	



ANGLE CALIBRATING PROCEDURE:

1. MEASURE TOWER TAPER AND PICK LOWER BRACKET HOLE:
 - HOLE A = -2.6° TO 2.6°
 - HOLE B = 1.6° TO 6.8°
2. USE CALIBRATING BOLT TO ADJUST FRAME TO DESIRED TAPER
3. TORQUE LOCKING BOLTS TO 100 ft.-lbs.
4. ADVANCE LOCKING NUT TO POSITIONING PLATE, THEN TIGHTEN.



TOLERANCE NOTES

TOLERANCES ON DIMENSIONS, UNLESS OTHERWISE NOTED ARE:
 SAWED, SHEARED AND GAS CUT EDGES (± 0.030")
 DRILLED AND GAS CUT HOLES (± 0.030") - NO CONING OF HOLES
 LASER CUT EDGES AND HOLES (± 0.010") - NO CONING OF HOLES
 BENDS ARE ± 1/2 DEGREE
 ALL OTHER MACHINING (± 0.030")
 ALL OTHER ASSEMBLY (± 0.060")

PROPRIETARY NOTE:
 THE DATA AND TECHNIQUES CONTAINED IN THIS DRAWING ARE PROPRIETARY INFORMATION OF VALMONT INDUSTRIES AND CONSIDERED A TRADE SECRET. ANY USE OR DISCLOSURE WITHOUT THE CONSENT OF VALMONT INDUSTRIES IS STRICTLY PROHIBITED.

DESCRIPTION
 12' 6" HEAVY DUTY
 V-FRAME ASSEMBLY
 W/ 1 STIFF ARM &
 MOUNT PIPES

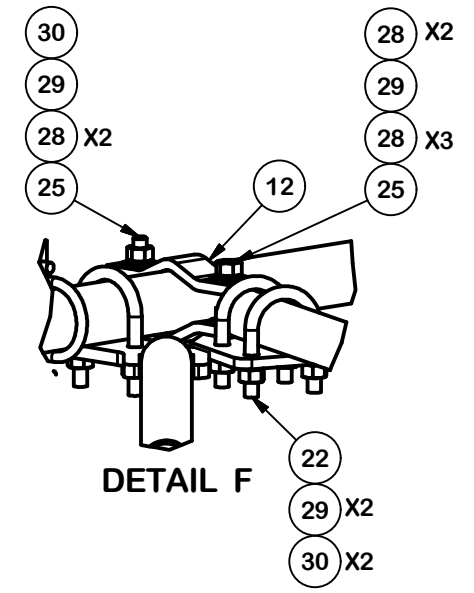
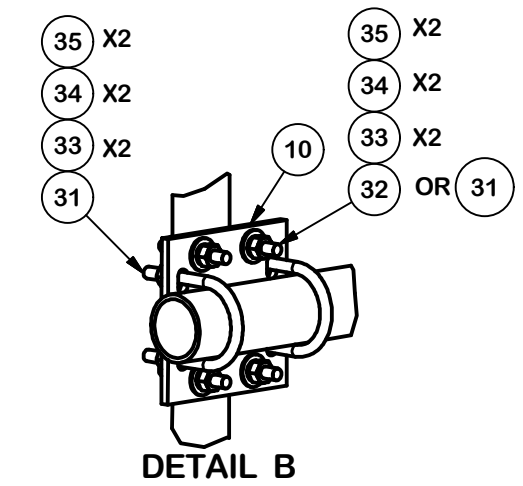
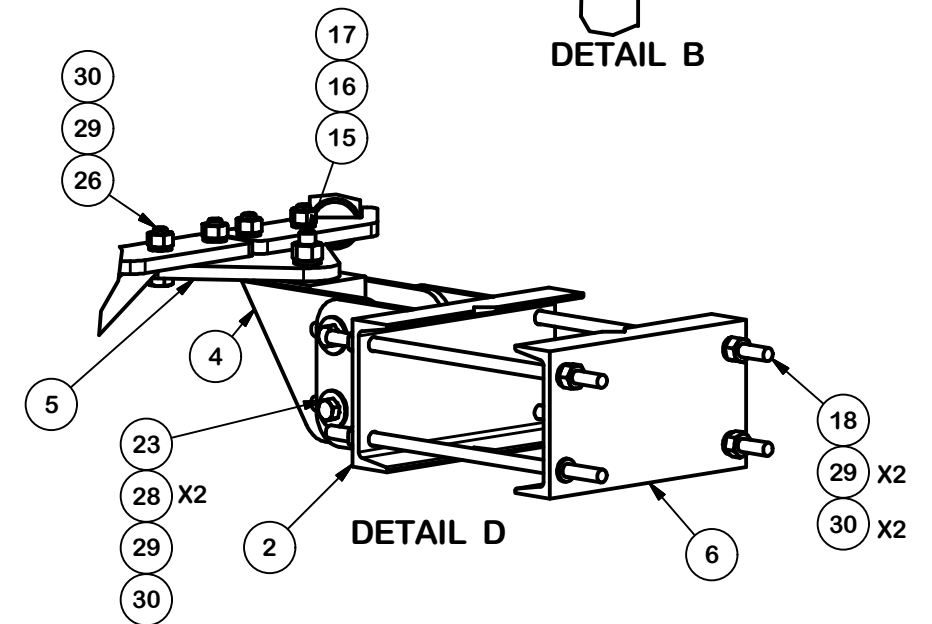
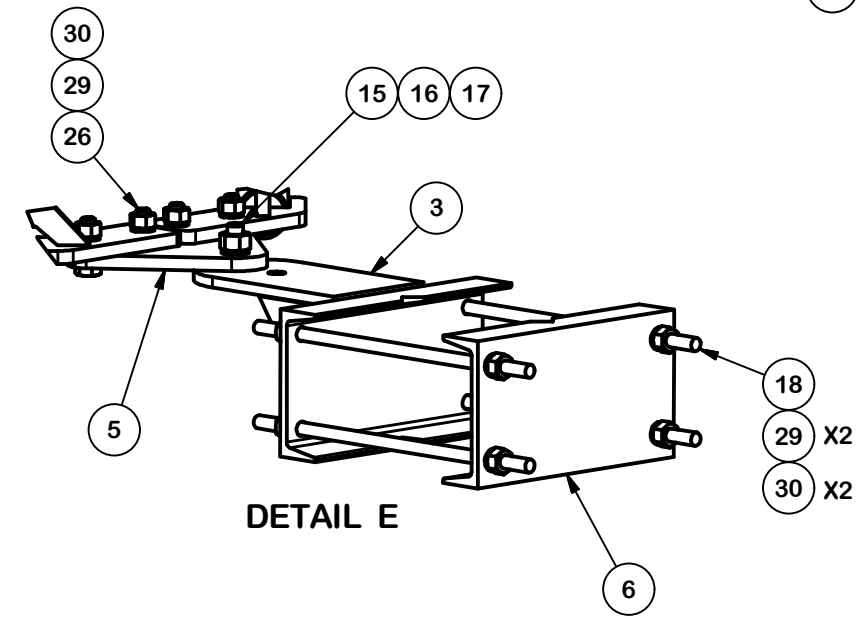
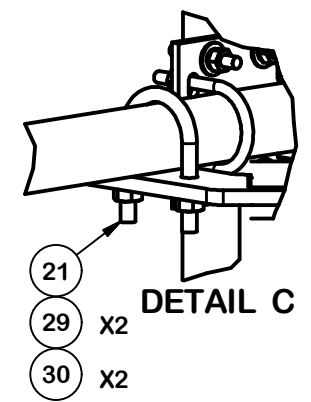
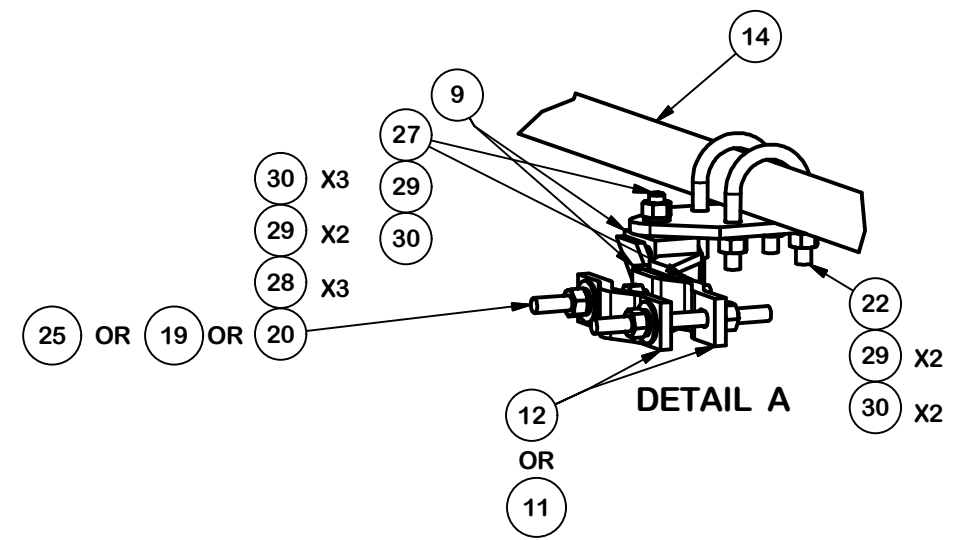
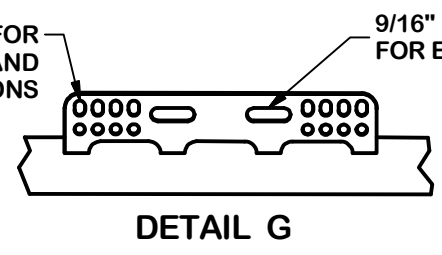
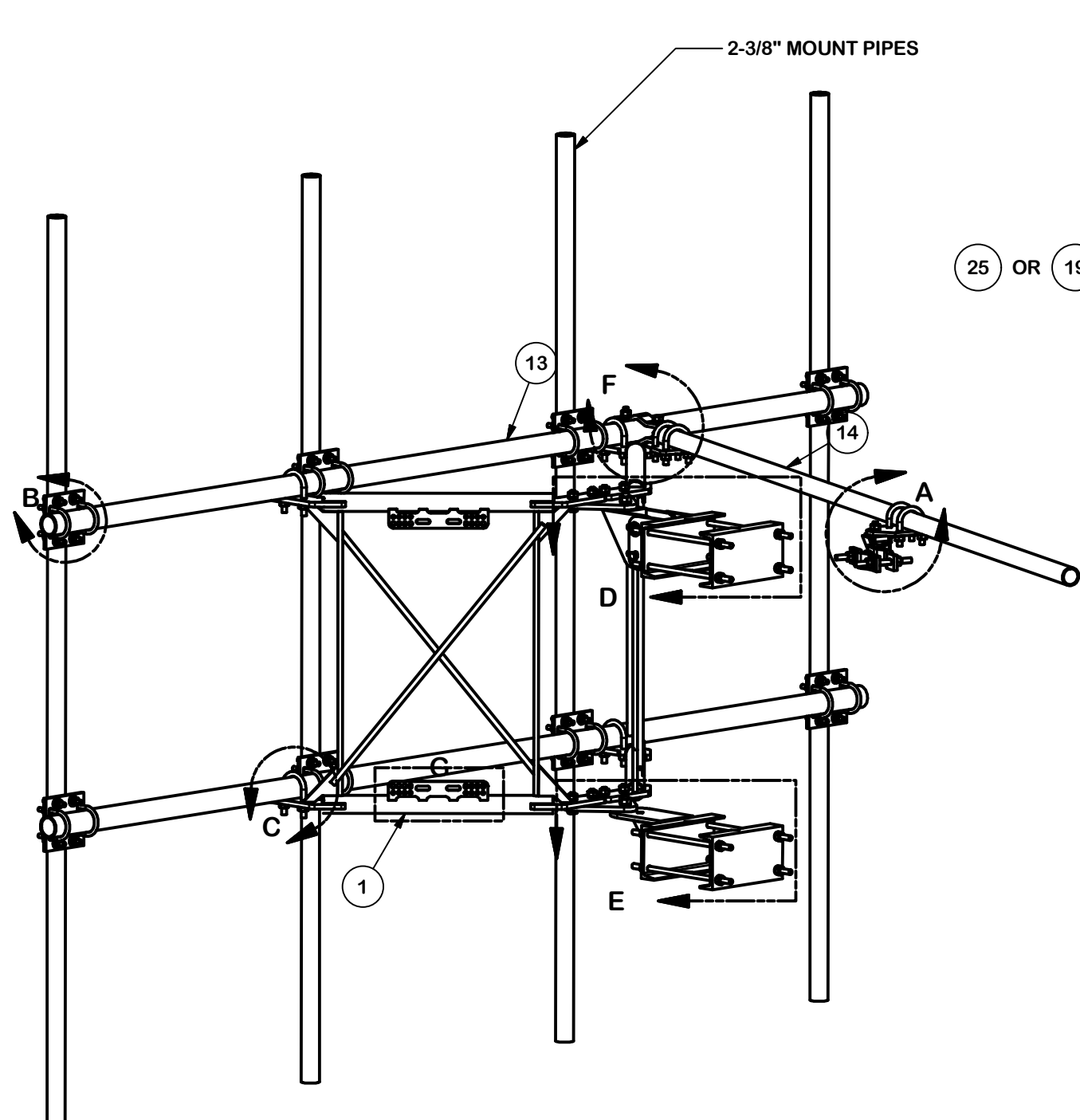
SITE PRO 1
 A valmont COMPANY

Engineering Support Team:
 1-888-753-7446

Locations:
 New York, NY
 Atlanta, GA
 Los Angeles, CA
 Plymouth, IN
 Salem, OR
 Dallas, TX

CPD NO. SP1	DRAWN BY CSL 7/3/2017	ENG. APPROVAL
CLASS 87	SUB 02	DRAWING USAGE CUSTOMER
CHECKED BY BMC 5/3/2018		

PART NO. VFA12-H10-2120	PAGE 2 OF 4
DWG. NO. VFA12-H10-2120	



TOLERANCE NOTES

TOLERANCES ON DIMENSIONS, UNLESS OTHERWISE NOTED ARE:
 SAWED, SHEARED AND GAS CUT EDGES ($\pm 0.030"$)
 DRILLED AND GAS CUT HOLES ($\pm 0.030"$) - NO CONING OF HOLES
 LASER CUT EDGES AND HOLES ($\pm 0.010"$) - NO CONING OF HOLES
 BENDS ARE $\pm 1/2$ DEGREE
 ALL OTHER MACHINING ($\pm 0.030"$)
 ALL OTHER ASSEMBLY ($\pm 0.060"$)

PROPRIETARY NOTE:
 THE DATA AND TECHNIQUES CONTAINED IN THIS DRAWING ARE PROPRIETARY INFORMATION OF VALMONT INDUSTRIES AND CONSIDERED A TRADE SECRET. ANY USE OR DISCLOSURE WITHOUT THE CONSENT OF VALMONT INDUSTRIES IS STRICTLY PROHIBITED.

DESCRIPTION
12' 6" HEAVY DUTY V-FRAME ASSEMBLY W/ 1 STIFF ARM & MOUNT PIPES

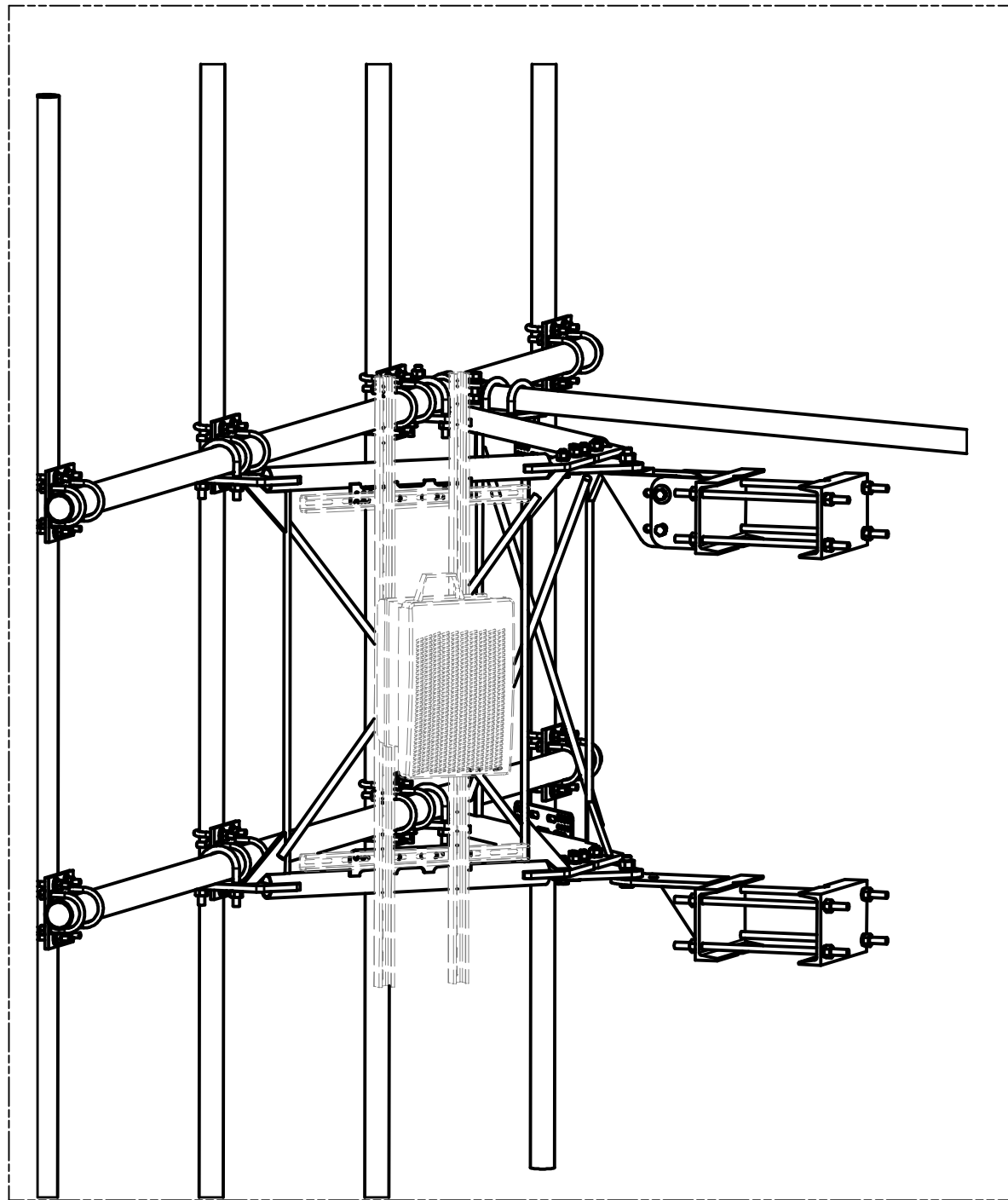
SITE PRO 1
 A valmont COMPANY

Engineering Support Team:
 1-888-753-7446

Locations:
 New York, NY
 Atlanta, GA
 Los Angeles, CA
 Plymouth, IN
 Salem, OR
 Dallas, TX

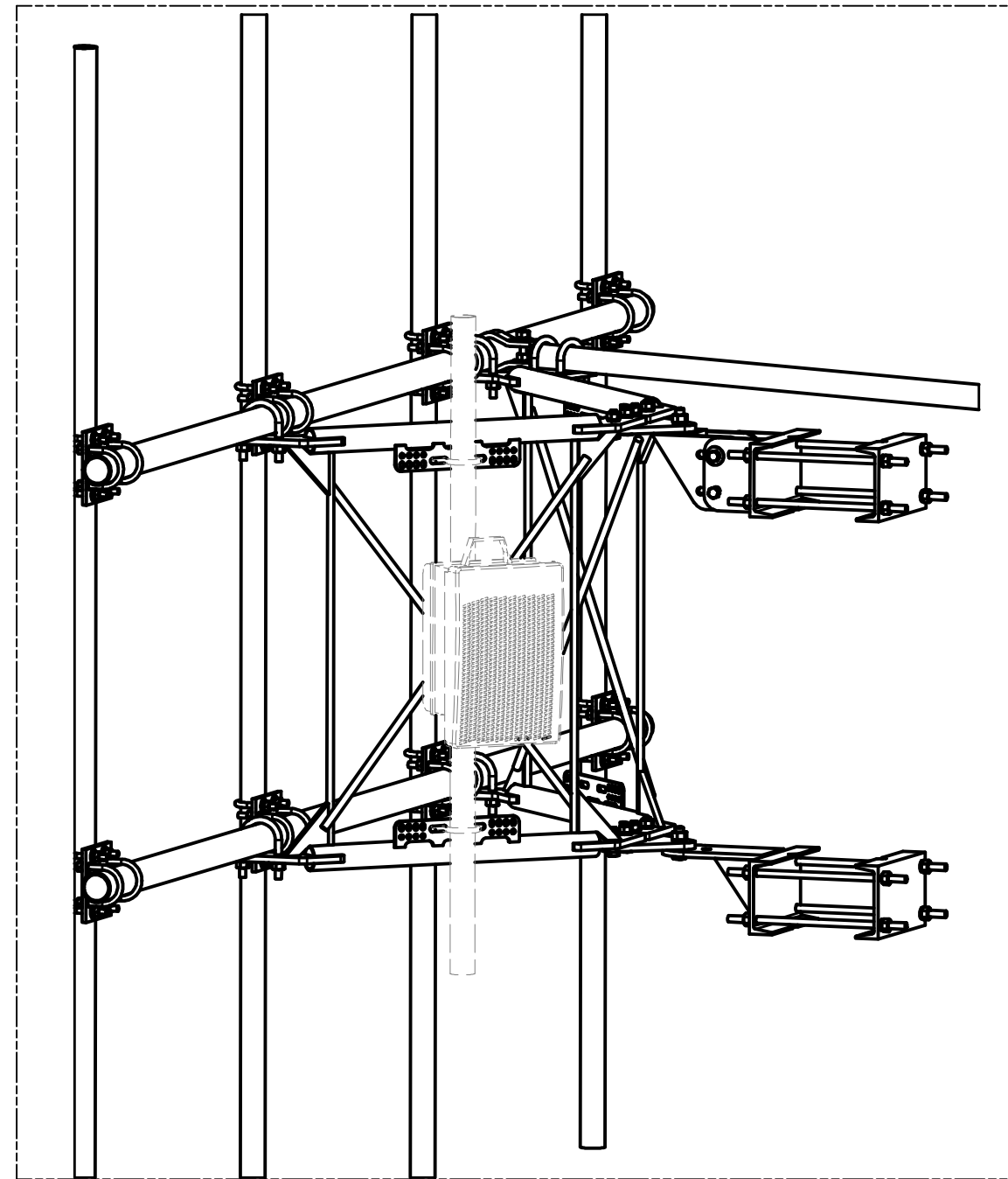
CPD NO. SP1	DRAWN BY CSL 7/3/2017	ENG. APPROVAL
CLASS 87	SUB 02	DRAWING USAGE CUSTOMER
CHECKED BY BMC 5/3/2018		

PART NO. VFA12-H10-2120	PAGE 3 OF 4
DWG. NO. VFA12-H10-2120	



UNISTRUT AND HARDWARE
SOLD SEPARATELY.

REQUIRES 3/8" HARDWARE



EQUIPMENT PIPE AND HARDWARE
SOLD SEPARATELY.

REQUIRES 1/2" HARDWARE
AND 2-3/8" TO 4-1/2" O.D. PIPE

TOLERANCE NOTES

TOLERANCES ON DIMENSIONS, UNLESS OTHERWISE NOTED ARE:
 SAWED, SHEARED AND GAS CUT EDGES ($\pm 0.030"$)
 DRILLED AND GAS CUT HOLES ($\pm 0.030"$) - NO CONING OF HOLES
 LASER CUT EDGES AND HOLES ($\pm 0.010"$) - NO CONING OF HOLES
 BENDS ARE $\pm 1/2$ DEGREE
 ALL OTHER MACHINING ($\pm 0.030"$)
 ALL OTHER ASSEMBLY ($\pm 0.060"$)

PROPRIETARY NOTE:
 THE DATA AND TECHNIQUES CONTAINED IN THIS DRAWING ARE PROPRIETARY INFORMATION OF VALMONT INDUSTRIES AND CONSIDERED A TRADE SECRET. ANY USE OR DISCLOSURE WITHOUT THE CONSENT OF VALMONT INDUSTRIES IS STRICTLY PROHIBITED.

DESCRIPTION
 12' 6" HEAVY DUTY
 V-FRAME ASSEMBLY
 W/ 1 STIFF ARM &
 MOUNT PIPES

CPD NO. SP1	DRAWN BY CSL 7/3/2017	ENG. APPROVAL
CLASS 87	SUB 02	DRAWING USAGE CUSTOMER
	CHECKED BY BMC	5/3/2018



Locations:
 New York, NY
 Atlanta, GA
 Los Angeles, CA
 Plymouth, IN
 Salem, OR
 Dallas, TX

Engineering
 Support Team:
 1-888-753-7446

PART NO. VFA12-H10-2120	PAGE 4 OF 4
DWG. NO. VFA12-H10-2120	