

PARTS LIST						
ITEM	QTY	PART NO.	PART DESCRIPTION	LENGTH	UNIT WT.	NET WT.
1	6	X-LWRM	RING MOUNT WELDMENT		68.81	412.85
2	6	X-RMBP	RING MOUNT BENT PLATE CONNECTION	15 1/2 in	17.02	102.13
3	6	X-VFAPL4	VFA-HD PIVOT PLATE	12 in	15.88	95.30
4	6	X-VFAW	SUPPORT ARM		71.41	428.44
5	30	SCX2	CROSSOVER PLATE	7 in	4.80	143.89
6	6	P284	2-3/8" X 84" SCH 40 GALVANIZED PIPE	84 in	26.91	161.47
7	15	P30120	2-7/8" x 120" (2-1/2" SCH. 40) GALVANIZED PIPE	120 in	58.07	870.99
8	6	P30150	2-7/8" X 150" (2-1/2" SCH. 40) GALVANIZED PIPE	150 in	76.94	461.62
9	12	X-127594	FLAT DISK CLAMP PLATE 4" CENTERS (GALV.)		2.51	30.08
10	24	X-100064	CLAMP (4" V-CLAMP) GALVANIZED		0.92	22.12
11	12	A34212	3/4" x 2-1/2" UNC HEX BOLT (A325)	2 1/2 in	0.48	5.75
12	18	G34FW	3/4" HDG USS FLATWASHER		0.06	1.06
13	12	G34LW	3/4" HDG LOCKWASHER		0.04	0.51
14	12	G34NUT	3/4" HDG HEAVY 2H HEX NUT		0.21	2.55
15	18	G58R-48	5/8" x 48" THREADED ROD (HDG.)		4.18	75.27
16	12	X-UB5300	5/8" X 3" X 5-1/4" X 2-1/2" U-BOLT (HDG.)		1.15	13.79
17	24	A582112	5/8" x 2-1/2" HDG A325 HEX BOLT	2 1/2 in	0.33	8.02
18	24	A582114	5/8" x 2-1/4" HDG A325 HEX BOLT	2 1/4 in	0.31	7.50
19	108	G58LW	5/8" HDG LOCKWASHER		0.03	2.82
20	108	G58NUT	5/8" HDG HEAVY 2H HEX NUT		0.13	14.03
21	120	X-UB1300	1/2" X 3" X 5" X 2" GALV U-BOLT		0.74	88.64
22	24	G12065	1/2" x 6-1/2" HDG HEX BOLT GR5 FULL THREAD	5 1/2 in	0.41	9.83
23	24	G1204	1/2" x 4" HDG HEX BOLT GR5 FULL THREAD	4 in	0.27	6.48
24	288	G12FW	1/2" HDG USS FLATWASHER	3/32 in	0.03	9.82
25	288	G12LW	1/2" HDG LOCKWASHER	1/8 in	0.01	4.00
26	288	G12NUT	1/2" HDG HEAVY 2H HEX NUT		0.07	20.63
					TOTAL WT. #	2999.58

**TOLERANCE NOTES**

TOLERANCES ON DIMENSIONS, UNLESS OTHERWISE NOTED ARE:  
 SAWED, SHEARED AND GAS CUT EDGES ( $\pm 0.030"$ )  
 DRILLED AND GAS CUT HOLES ( $\pm 0.030"$ ) - NO CONING OF HOLES  
 LASER CUT EDGES AND HOLES ( $\pm 0.010"$ ) - NO CONING OF HOLES  
 BENDS ARE  $\pm 1/2$  DEGREE  
 ALL OTHER MACHINING ( $\pm 0.030"$ )  
 ALL OTHER ASSEMBLY ( $\pm 0.060"$ )

PROPRIETARY NOTE:  
 THE DATA AND TECHNIQUES CONTAINED IN THIS DRAWING ARE PROPRIETARY INFORMATION OF VALMONT INDUSTRIES AND CONSIDERED A TRADE SECRET. ANY USE OR DISCLOSURE WITHOUT THE CONSENT OF VALMONT INDUSTRIES IS STRICTLY PROHIBITED.

DESCRIPTION  
 THREE SECTORS HEAVY WLL FRAME  
 AND MONOPOLE ATTACHMENT HARDWARE  
 WITH FIVE MOUNTING PIPES

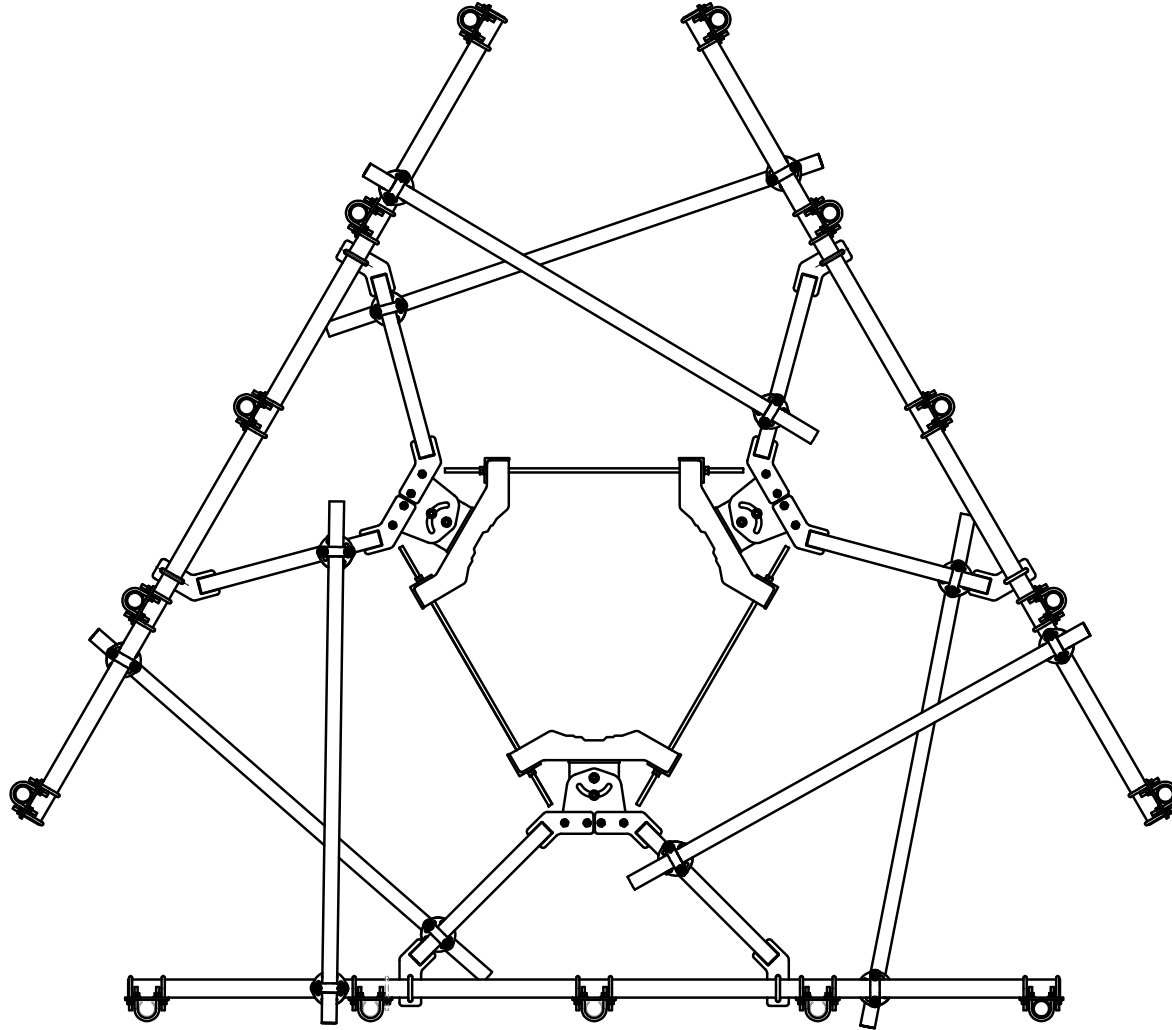
**SITE PRO 1**  
 Engineering Support Team:  
 1-888-753-7446

Locations:  
 New York, NY  
 Atlanta, GA  
 Los Angeles, CA  
 Plymouth, IN  
 Salem, OR  
 Dallas, TX

A valmont COMPANY

CPD NO.	DRAWN BY	ENG. APPROVAL
	CEK 10/26/2018	
CLASS	SUB	DRAWING USAGE
81	02	CUSTOMER
	CHECKED BY	
	BMC 10/29/2018	

PART NO.	VFA12-M3-WLL
DWG. NO.	VFA12-M3-WLL



**TOLERANCE NOTES**

TOLERANCES ON DIMENSIONS, UNLESS OTHERWISE NOTED ARE:  
 SAWED, SHEARED AND GAS CUT EDGES ( $\pm 0.030"$ )  
 DRILLED AND GAS CUT HOLES ( $\pm 0.030"$ ) - NO CONING OF HOLES  
 LASER CUT EDGES AND HOLES ( $\pm 0.010"$ ) - NO CONING OF HOLES  
 BENDS ARE  $\pm 1/2$  DEGREE  
 ALL OTHER MACHINING ( $\pm 0.030"$ )  
 ALL OTHER ASSEMBLY ( $\pm 0.060"$ )

PROPRIETARY NOTE:  
 THE DATA AND TECHNIQUES CONTAINED IN THIS DRAWING ARE PROPRIETARY INFORMATION OF VALMONT INDUSTRIES AND CONSIDERED A TRADE SECRET. ANY USE OR DISCLOSURE WITHOUT THE CONSENT OF VALMONT INDUSTRIES IS STRICTLY PROHIBITED.

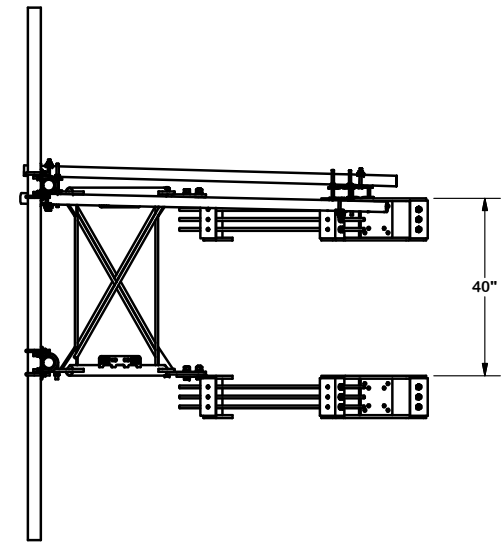
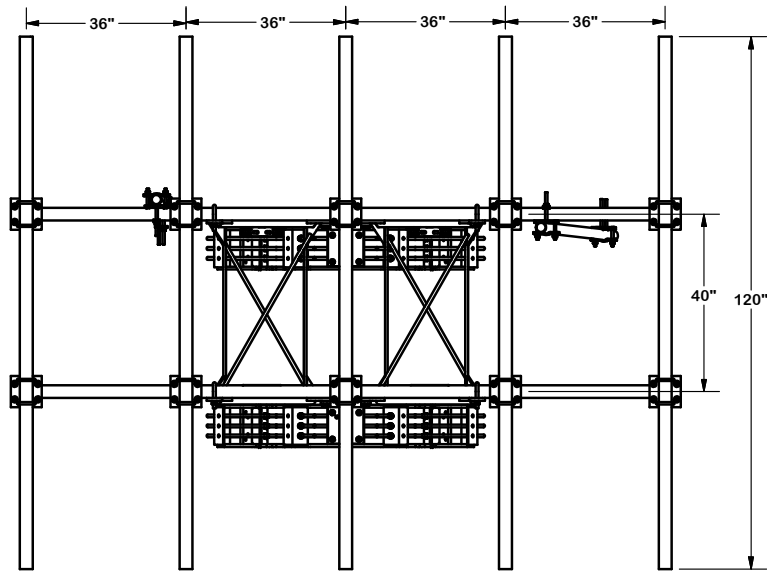
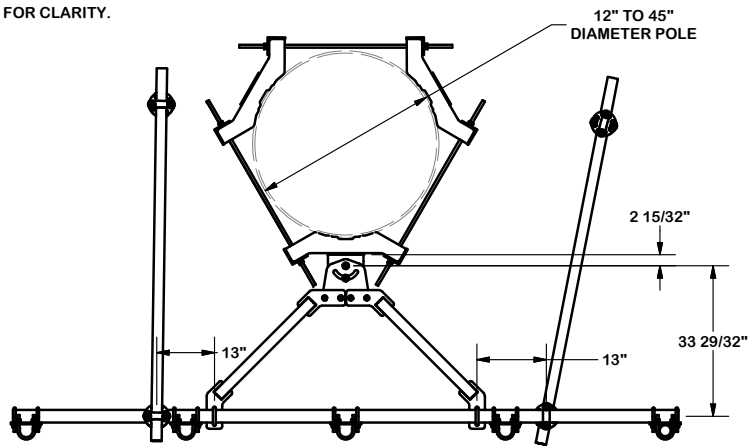
DESCRIPTION  
**THREE SECTORS HEAVY WLL FRAME  
 AND MONOPOLE ATTACHMENT HARDWARE  
 WITH FIVE MOUNTING PIPES**

CPD NO.	DRAWN BY CEK 10/26/2018	ENG. APPROVAL
CLASS 81	SUB 02	DRAWING USAGE CUSTOMER
		CHECKED BY BMC 10/29/2018

	Engineering Support Team: 1-888-753-7446	Locations: New York, NY Atlanta, GA Los Angeles, CA Plymouth, IN Salem, OR Dallas, TX
	A valmont COMPANY	

PART NO.	VFA12-M3-WLL	PAGE 2 OF 4
DWG. NO.	VFA12-M3-WLL	

NOTE:  
OTHER SECTORS REMOVED FOR CLARITY.



**TOLERANCE NOTES**

TOLERANCES ON DIMENSIONS, UNLESS OTHERWISE NOTED ARE:  
 SAWED, SHEARED AND GAS CUT EDGES ( $\pm 0.030"$ )  
 DRILLED AND GAS CUT HOLES ( $\pm 0.030"$ ) - NO CONING OF HOLES  
 LASER CUT EDGES AND HOLES ( $\pm 0.010"$ ) - NO CONING OF HOLES  
 BENDS ARE  $\pm 1/2$  DEGREE  
 ALL OTHER MACHINING ( $\pm 0.030"$ )  
 ALL OTHER ASSEMBLY ( $\pm 0.060"$ )

PROPRIETARY NOTE:  
 THE DATA AND TECHNIQUES CONTAINED IN THIS DRAWING ARE PROPRIETARY INFORMATION OF VALMONT INDUSTRIES AND CONSIDERED A TRADE SECRET. ANY USE OR DISCLOSURE WITHOUT THE CONSENT OF VALMONT INDUSTRIES IS STRICTLY PROHIBITED.

DESCRIPTION  
 THREE SECTORS HEAVY WLL FRAME  
 AND MONOPOLE ATTACHMENT HARDWARE  
 WITH FIVE MOUNTING PIPES

CPD NO.	DRAWN BY CEK 10/26/2018	ENG. APPROVAL
CLASS 81	SUB 02	DRAWING USAGE CUSTOMER
	CHECKED BY BMC 10/29/2018	

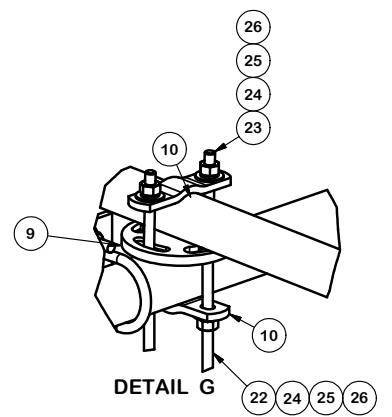
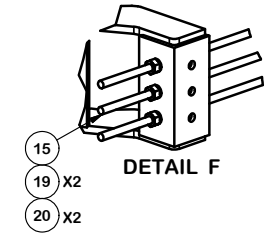
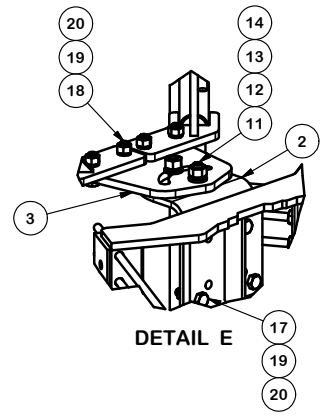
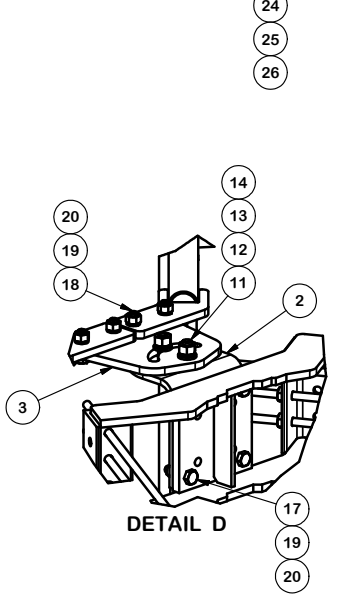
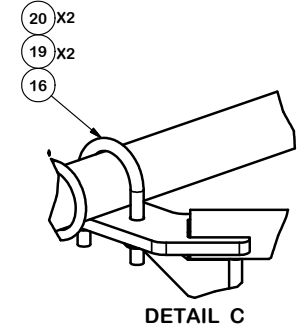
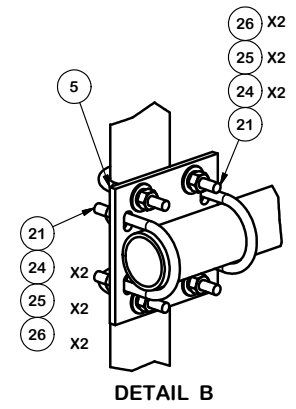
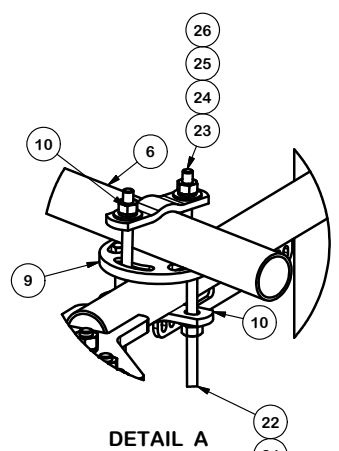
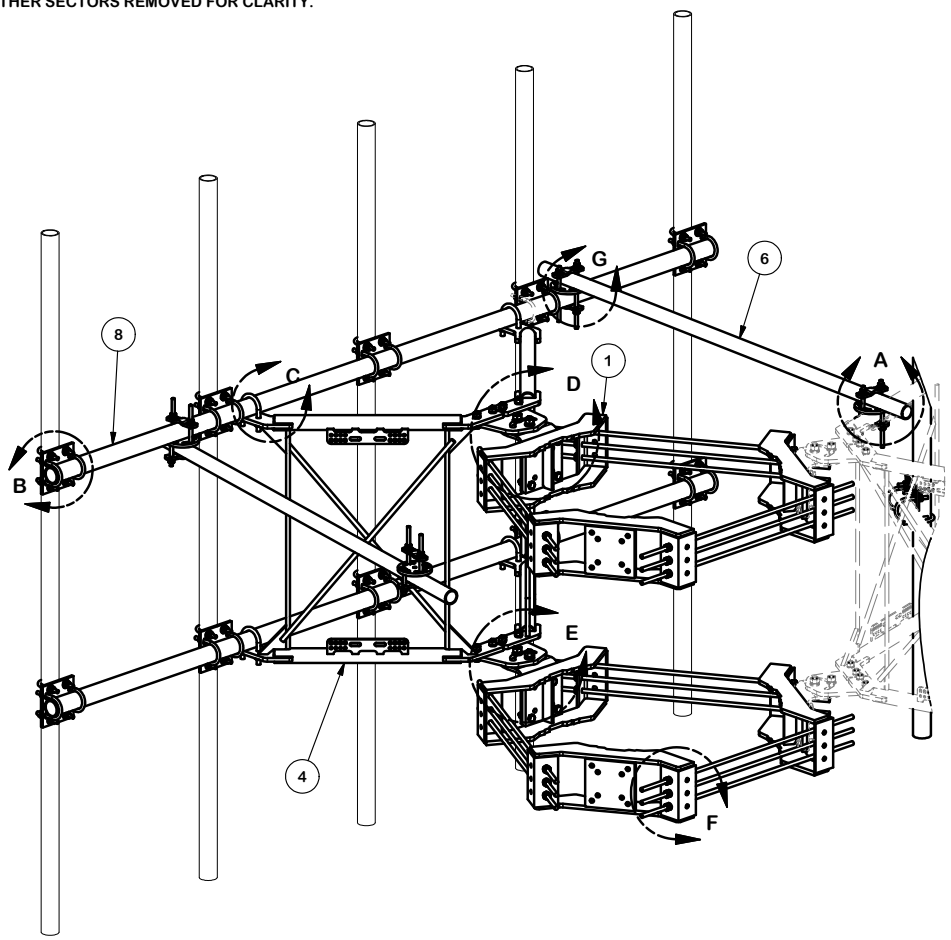


Engineering  
 Support Team:  
 1-888-753-7446

Locations:  
 New York, NY  
 Atlanta, GA  
 Los Angeles, CA  
 Plymouth, IN  
 Salem, OR  
 Dallas, TX

PART NO. VFA12-M3-WLL
DWG. NO. VFA12-M3-WLL

NOTE:  
OTHER SECTORS REMOVED FOR CLARITY.



**TOLERANCE NOTES**

TOLERANCES ON DIMENSIONS, UNLESS OTHERWISE NOTED ARE:  
 SAWED, SHEARED AND GAS CUT EDGES ( $\pm 0.030"$ )  
 DRILLED AND GAS CUT HOLES ( $\pm 0.030"$ ) - NO CONING OF HOLES  
 LASER CUT EDGES AND HOLES ( $\pm 0.010"$ ) - NO CONING OF HOLES  
 BENDS ARE  $\pm 1/2$  DEGREE  
 ALL OTHER MACHINING ( $\pm 0.030"$ )  
 ALL OTHER ASSEMBLY ( $\pm 0.060"$ )

PROPRIETARY NOTE:  
 THE DATA AND TECHNIQUES CONTAINED IN THIS DRAWING ARE PROPRIETARY INFORMATION OF VALMONT INDUSTRIES AND CONSIDERED A TRADE SECRET. ANY USE OR DISCLOSURE WITHOUT THE CONSENT OF VALMONT INDUSTRIES IS STRICTLY PROHIBITED.

DESCRIPTION  
**THREE SECTORS HEAVY WLL FRAME AND MONOPOLE ATTACHMENT HARDWARE WITH FIVE MOUNTING PIPES**

CPD NO.	DRAWN BY CEK 10/26/2018	ENG. APPROVAL
CLASS 81	SUB 02	DRAWING USAGE CUSTOMER
	CHECKED BY BMC 10/29/2018	

**SITE PRO 1**  
 Engineering Support Team:  
 1-888-753-7446

Locations:  
 New York, NY  
 Atlanta, GA  
 Los Angeles, CA  
 Plymouth, IN  
 Salem, OR  
 Dallas, TX

A valmont COMPANY

PART NO.	VFA12-M3-WLL	PAGE 4 OF 4
DWG. NO.	VFA12-M3-WLL	