

PARTS LIST

ITEM	QTY	PART NO.	PART DESCRIPTION	LENGTH	UNIT WT.	NET WT.
1	2	X-VFAW	SUPPORT ARM		71.41	142.81
2	1	X-HDCAMTBW	CLAMP WELDMENT FOR BCAM-HD		33.86	33.86
3	1	X-MHTPHD	MULTI-HOLE TAPER PLATE WELDMENT		36.24	36.24
4	2	X-VFAPL4	VFA-HD PIVOT PLATE	12 in	15.88	31.77
5	2	X-LCBP4	BENT BACKING PLATE	13 in	19.00	38.01
6	1	X-HDCAMSS	ANGLE ADJUSTMENT WELDMENT FOR BCAM-HD		16.39	16.39
7	4	X-SPTB	SLIDING PIPE TIE BACK PLATE	5 1/2 in	5.87	23.49
8	1	X-HDCAMSP	POSITIONING PLATE WELDMENT FOR BCAM-HD		2.58	2.58
9	4	X-TBCA	TIE BACK CLIP ANGLE		2.01	8.02
10	4	SCX2	CROSSOVER PLATE	7 in	4.80	19.19
11	4	MCP	CLAMP HALF 1/2" THICK, 11-5/8" LONG	12 1/16 in	3.59	14.37
12	8	DCP	1/2" THICK, 5-3/4" CENTER TO CENTER CLAMP HALF	8 1/8 in	2.36	18.90
13	2	P3084	2-7/8" X 84" (2 1/2" SCH. 40) GALVANIZED PIPE	84 in	40.65	81.29
14	2	P2126	2-3/8" X 126" (2" SCH. 40) GALVANIZED PIPE	126 in	40.75	81.50
15	4	A34212	3/4" x 2-1/2" UNC HEX BOLT (A325)	2 1/2 in	0.48	1.92
16	4	G34FW	3/4" HDG USS FLATWASHER		0.06	0.24
17	4	G34LW	3/4" HDG LOCKWASHER		0.04	0.17
18	4	G34NUT	3/4" HDG HEAVY 2H HEX NUT		0.21	0.85
19	8	G58R-18	5/8" x 18" THREADED ROD (HDG.)	18 in	0.40	3.19
20	4	G58R-12	5/8" x 12" THREADED ROD (HDG.)		1.05	4.18
21	8	G58R-8	5/8" x 8" THREADED ROD (HDG.)		0.70	5.58
22	4	X-UB5300	5/8" X 3" X 5-1/4" X 2-1/2" U-BOLT (HDG.)		1.15	4.60
23	8	X-UB5258	5/8" X 2-5/8" X 4-1/2" X 2" U-BOLT (HDG.)		1.00	8.00
24	2	G5807	5/8" x 7" HDG HEX BOLT GR5 FULL THREAD	7 in	0.70	1.41
25	1	G5806	5/8" x 6" HDG HEX BOLT GR5 FULL THREAD	6 in	0.62	0.62
26	4	G5802	5/8" x 2" HDG HEX BOLT GR5		0.27	1.08
27	8	A582114	5/8" x 2-1/4" HDG A325 HEX BOLT	2 1/4 in	0.31	2.50
28	8	G5804	5/8" x 4" HDG HEX BOLT GR5		0.44	3.55
29	25	G58FW	5/8" HDG USS FLATWASHER	1/8 in	0.07	1.76
30	70	G58LW	5/8" HDG LOCKWASHER		0.03	1.83
31	75	G58NUT	5/8" HDG HEAVY 2H HEX NUT		0.13	9.74
32	16	X-UB1300	1/2" X 3" X 5" X 2" GALV U-BOLT		0.74	11.82
33	8	X-UB1212	1/2" X 2" X 3" X 1-1/4" U-BOLT (HDG.)		0.60	4.78
34	32	G12FW	1/2" HDG USS FLATWASHER	3/32 in	0.03	1.09
35	32	G12LW	1/2" HDG LOCKWASHER	1/8 in	0.01	0.44
36	32	G12NUT	1/2" HDG HEAVY 2H HEX NUT		0.07	2.29
					TOTAL WT. #	629.28

REV	DESCRIPTION OF REVISIONS	CPD	BY	DATE
D	UPDATED BCAM VERSION 1 TO BCAM VERSION 2		CEK	6/29/2018
C	UPDATED PIN LEG CONNECTION TO BCAM CONNECTION		CEK	12/13/2017
B	CHANGED TIE-BACK BACK CONNECTION		CEK	7/26/2017
A	CHANGED TIE-BACK FRONT CONNECTION		CEK	2/2/2017

TOLERANCE NOTES

TOLERANCES ON DIMENSIONS, UNLESS OTHERWISE NOTED ARE:
 SAWED, SHEARED AND GAS CUT EDGES ($\pm 0.030"$)
 DRILLED AND GAS CUT HOLES ($\pm 0.030"$) - NO CONING OF HOLES
 LASER CUT EDGES AND HOLES ($\pm 0.010"$) - NO CONING OF HOLES
 BENDS ARE $\pm 1/2$ DEGREE
 ALL OTHER MACHINING ($\pm 0.030"$)
 ALL OTHER ASSEMBLY ($\pm 0.060"$)

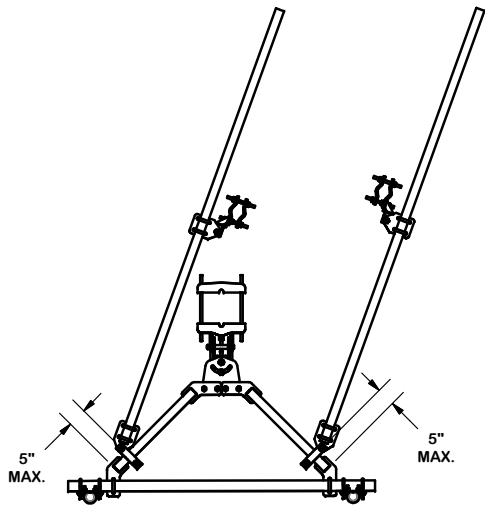
PROPRIETARY NOTE:
 THE DATA AND TECHNIQUES CONTAINED IN THIS DRAWING ARE PROPRIETARY INFORMATION OF VALMONT INDUSTRIES AND CONSIDERED A TRADE SECRET. ANY USE OR DISCLOSURE WITHOUT THE CONSENT OF VALMONT INDUSTRIES IS STRICTLY PROHIBITED.

DESCRIPTION
 6' HEAVY DUTY
 V-FRAME ASSEMBLY
 WITH TWO STIFF ARMS

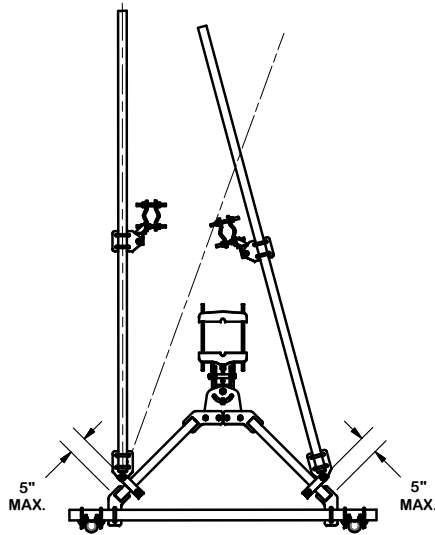
CPD NO.	DRAWN BY	ENG. APPROVAL
	CEK 1/25/2017	
CLASS	DRAWING USAGE	CHECKED BY
81	CUSTOMER	BMC 12/13/2017

	Engineering Support Team: 1-888-753-7446	Locations: New York, NY Atlanta, GA Los Angeles, CA Plymouth, IN Salem, OR Dallas, TX
	PART NO. VFA6-HD	
DWG. NO. VFA6-HD		PAGE 5

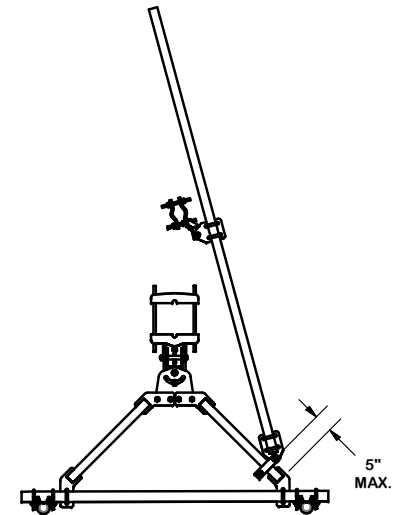
TIE-BACK POSITIONS



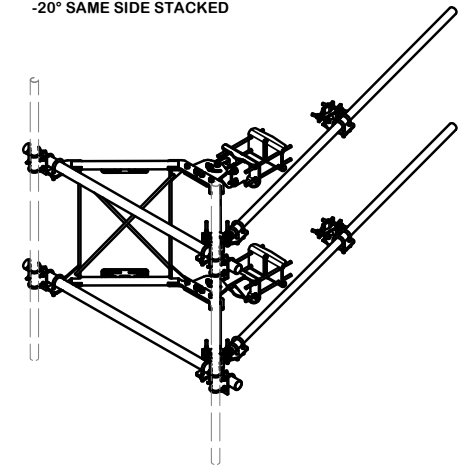
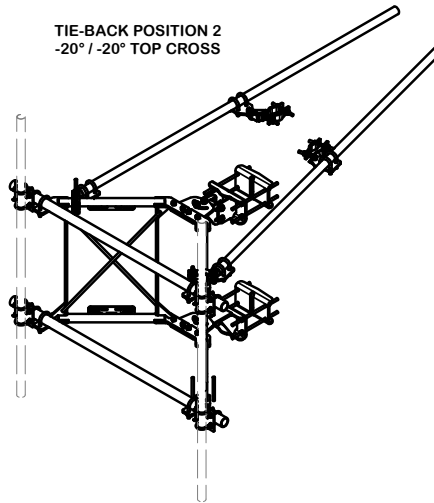
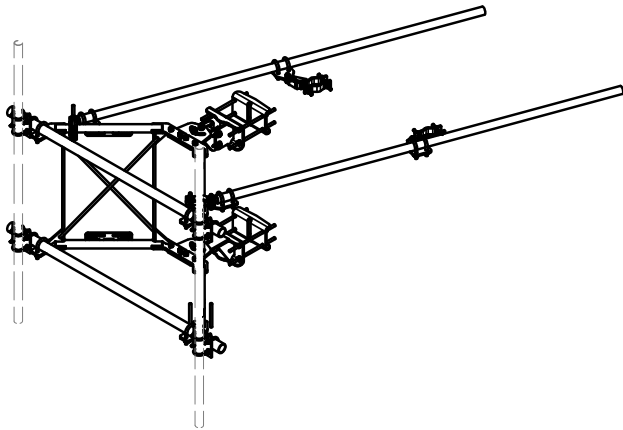
TIE-BACK POSITION 1
-20° / +20° TOP PARALLEL



TIE-BACK POSITION 2
-20° / -20° TOP CROSS



TIE-BACK POSITION 3
-20° SAME SIDE STACKED



REV	DESCRIPTION OF REVISIONS	CPD	BY	DATE
D	UPDATED BCAM VERSION 1 TO BCAM VERSION 2		CEK	6/29/2018
C	UPDATED PIN LEG CONNECTION TO BCAM CONNECTION		CEK	12/13/2017
B	CHANGED TIE-BACK BACK CONNECTION		CEK	7/26/2017
A	CHANGED TIE-BACK FRONT CONNECTION		CEK	2/2/2017

REVISION HISTORY

TOLERANCE NOTES

TOLERANCES ON DIMENSIONS, UNLESS OTHERWISE NOTED ARE:
 SAWED, SHEARED AND GAS CUT EDGES ($\pm 0.030"$)
 DRILLED AND GAS CUT HOLES ($\pm 0.030"$) - NO CONING OF HOLES
 LASER CUT EDGES AND HOLES ($\pm 0.010"$) - NO CONING OF HOLES
 BENDS ARE $\pm 1/2$ DEGREE
 ALL OTHER MACHINING ($\pm 0.030"$)
 ALL OTHER ASSEMBLY ($\pm 0.060"$)

PROPRIETARY NOTE:
 THE DATA AND TECHNIQUES CONTAINED IN THIS DRAWING ARE PROPRIETARY INFORMATION OF VALMONT INDUSTRIES AND CONSIDERED A TRADE SECRET. ANY USE OR DISCLOSURE WITHOUT THE CONSENT OF VALMONT INDUSTRIES IS STRICTLY PROHIBITED.

DESCRIPTION
 6' HEAVY DUTY
 V-FRAME ASSEMBLY
 WITH TWO STIFF ARMS

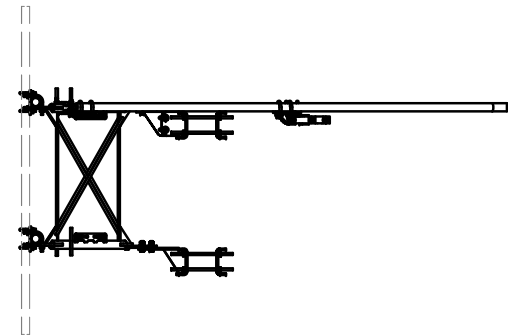
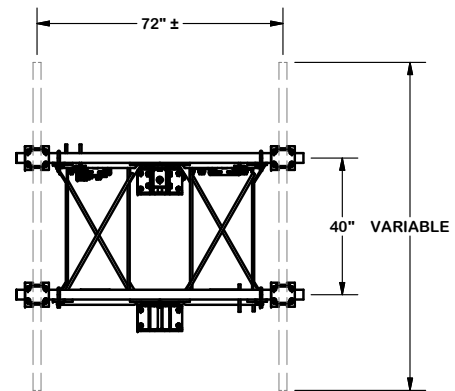
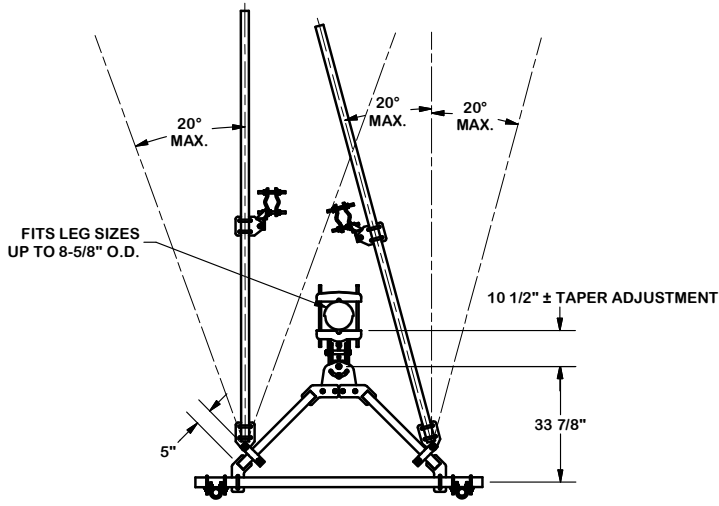
CPD NO.	DRAWN BY	ENG. APPROVAL
	CEK 1/25/2017	
CLASS	DRAWING USAGE	CHECKED BY
81	CUSTOMER	BMC 12/13/2017



Engineering
 Support Team:
 1-888-753-7446

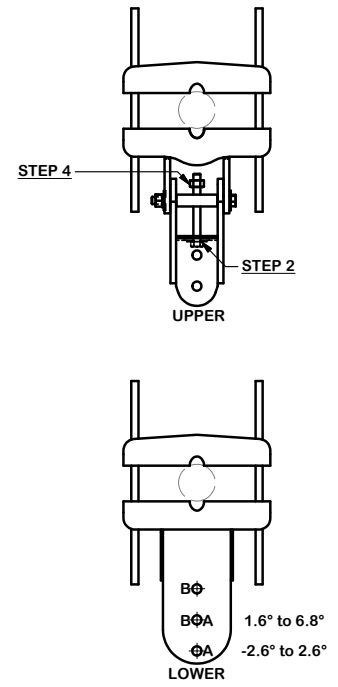
Locations:
 New York, NY
 Atlanta, GA
 Los Angeles, CA
 Plymouth, IN
 Salem, OR
 Dallas, TX

PART NO.	VFA6-HD
DWG. NO.	VFA6-HD



ANGLE CALIBRATING PROCEDURE:

1. MEASURE TOWER TAPER AND PICK LOWER BRACKET HOLE:
 - HOLE A = -2.6° TO 2.6°
 - HOLE B = 1.6° TO 6.8°
2. USE CALIBRATING BOLT TO ADJUST FRAME TO DESIRED TAPER
3. TORQUE LOCKING BOLTS TO 100 ft.-lbs.
4. ADVANCE LOCKING NUT TO POSITIONING PLATE, THEN TIGHTEN.



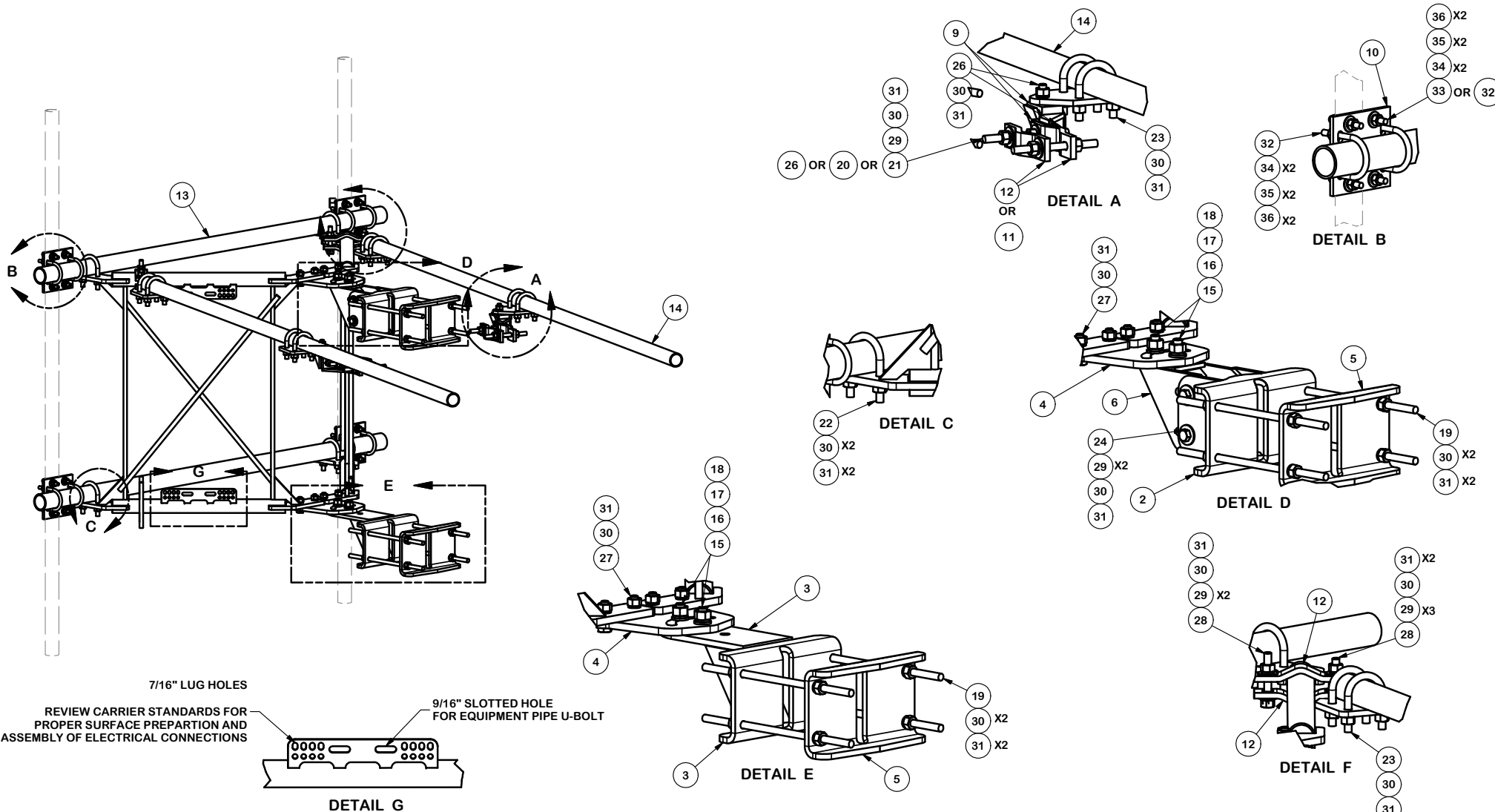
REV	DESCRIPTION OF REVISIONS	CPD	BY	DATE
D	UPDATED BCAM VERSION 1 TO BCAM VERSION 2		CEK	6/29/2018
C	UPDATED PIN LEG CONNECTION TO BCAM CONNECTION		CEK	12/13/2017
B	CHANGED TIE-BACK BACK CONNECTION		CEK	7/26/2017
A	CHANGED TIE-BACK FRONT CONNECTION		CEK	2/2/2017
REVISION HISTORY				

TOLERANCE NOTES
 TOLERANCES ON DIMENSIONS, UNLESS OTHERWISE NOTED ARE:
 SAWED, SHEARED AND GAS CUT EDGES (± 0.030 ")
 DRILLED AND GAS CUT HOLES (± 0.030 ") - NO CONING OF HOLES
 LASER CUT EDGES AND HOLES (± 0.010 ") - NO CONING OF HOLES
 BENDS ARE $\pm 1/2$ DEGREE
 ALL OTHER MACHINING (± 0.030 ")
 ALL OTHER ASSEMBLY (± 0.060 ")

PROPRIETARY NOTE:
 THE DATA AND TECHNIQUES CONTAINED IN THIS DRAWING ARE PROPRIETARY INFORMATION OF VALMONT INDUSTRIES AND CONSIDERED A TRADE SECRET. ANY USE OR DISCLOSURE WITHOUT THE CONSENT OF VALMONT INDUSTRIES IS STRICTLY PROHIBITED.

DESCRIPTION		6' HEAVY DUTY V-FRAME ASSEMBLY WITH TWO STIFF ARMS	
CPD NO.	DRAWN BY	ENG. APPROVAL	
	CEK 1/25/2017		
CLASS	DRAWING USAGE	CHECKED BY	
81	02 CUSTOMER	BMC 12/13/2017	

 A valmont COMPANY	Locations: New York, NY Atlanta, GA Los Angeles, CA Plymouth, IN Salem, OR Dallas, TX		
	Engineering Support Team: 1-888-753-7446		
PART NO.	VFA6-HD	PAGE	3 OF 5
DWG. NO.	VFA6-HD		



7/16" LUG HOLES

REVIEW CARRIER STANDARDS FOR PROPER SURFACE PREPARATION AND ASSEMBLY OF ELECTRICAL CONNECTIONS

9/16" SLOTTED HOLE FOR EQUIPMENT PIPE U-BOLT

DETAIL G

TOLERANCE NOTES

TOLERANCES ON DIMENSIONS, UNLESS OTHERWISE NOTED ARE:
 SAWED, SHEARED AND GAS CUT EDGES ($\pm 0.030"$)
 DRILLED AND GAS CUT HOLES ($\pm 0.030"$) - NO CONING OF HOLES
 LASER CUT EDGES AND HOLES ($\pm 0.010"$) - NO CONING OF HOLES
 BENDS ARE $\pm 1/2$ DEGREE
 ALL OTHER MACHINING ($\pm 0.030"$)
 ALL OTHER ASSEMBLY ($\pm 0.060"$)

PROPRIETARY NOTE:
 THE DATA AND TECHNIQUES CONTAINED IN THIS DRAWING ARE PROPRIETARY INFORMATION OF VALMONT INDUSTRIES AND CONSIDERED A TRADE SECRET. ANY USE OR DISCLOSURE WITHOUT THE CONSENT OF VALMONT INDUSTRIES IS STRICTLY PROHIBITED.

DESCRIPTION
**6' HEAVY DUTY
 V-FRAME ASSEMBLY
 WITH TWO STIFF ARMS**

SITE PRO 1

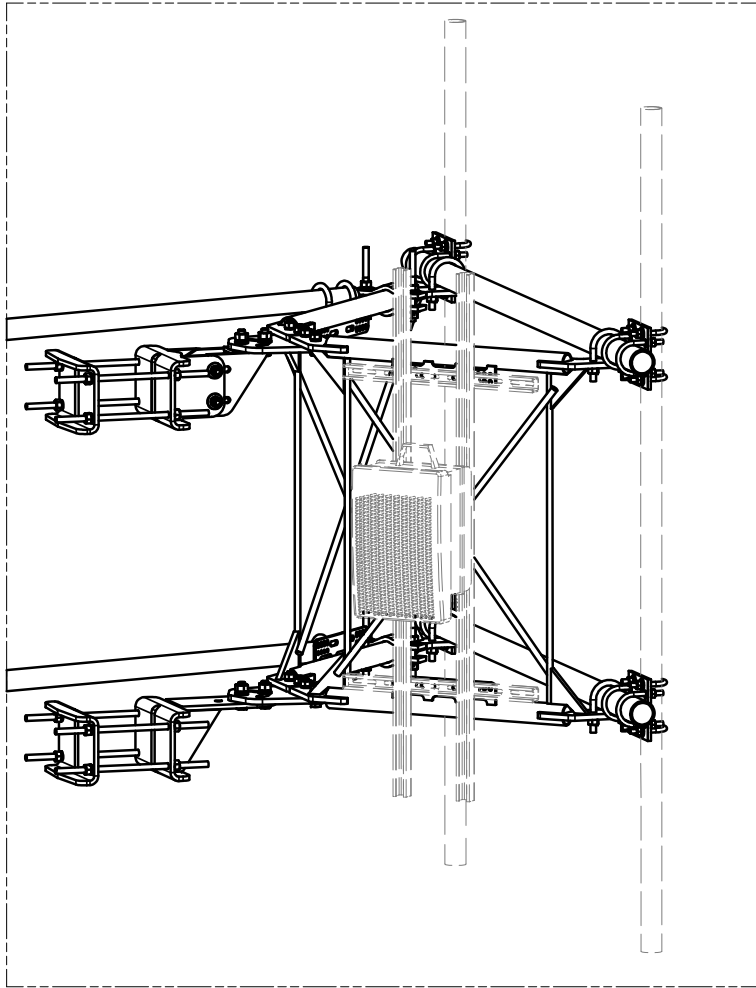
Engineering Support Team:
 1-888-753-7446

Locations:
 New York, NY
 Atlanta, GA
 Los Angeles, CA
 Plymouth, IN
 Salem, OR
 Dallas, TX

REV	DESCRIPTION OF REVISIONS	CPD	BY	DATE
D	UPDATED BCAM VERSION 1 TO BCAM VERSION 2		CEK	6/29/2018
C	UPDATED PIN LEG CONNECTION TO BCAM CONNECTION		CEK	12/13/2017
B	CHANGED TIE-BACK BACK CONNECTION		CEK	7/26/2017
A	CHANGED TIE-BACK FRONT CONNECTION		CEK	2/2/2017

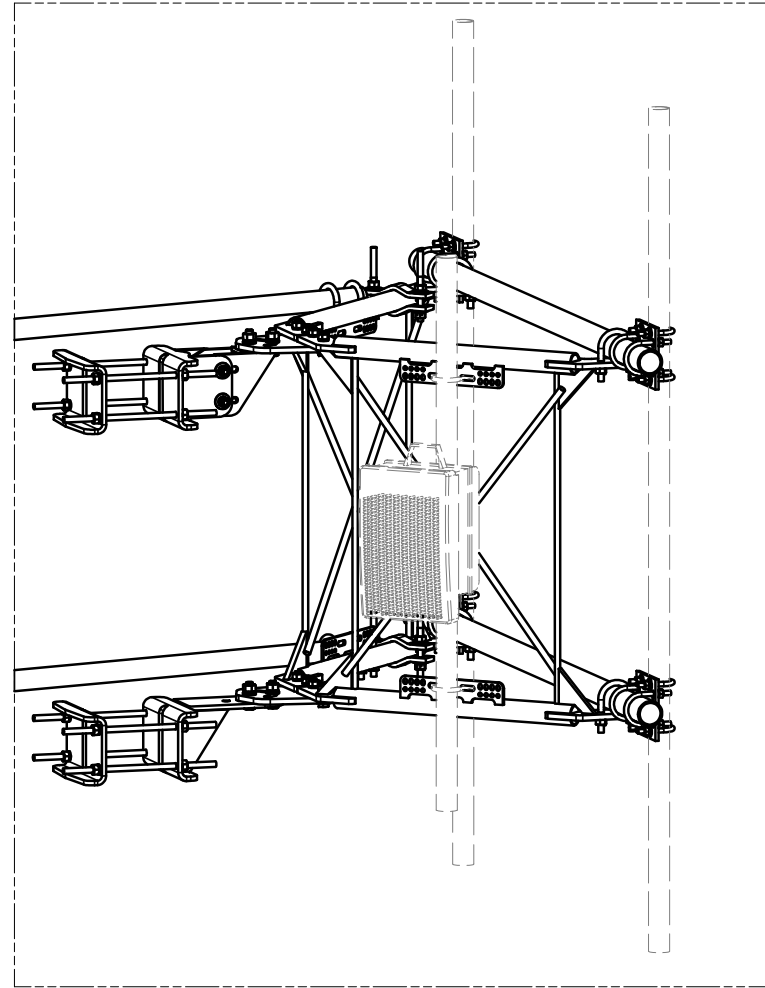
CPD NO.	DRAWN BY	ENG. APPROVAL
	CEK 1/25/2017	
CLASS	DRAWING USAGE	CHECKED BY
81	CUSTOMER	BMC 12/13/2017

PART NO.	VFA6-HD
DWG. NO.	VFA6-HD



UNISTRUT AND HARDWARE
SOLD SEPARATELY.

REQUIRES 3/8" HARDWARE



EQUIPMENT PIPE AND HARDWARE
SOLD SEPARATELY.

REQUIRES 1/2" HARDWARE
AND 2-3/8" TO 4-1/2" O.D. PIPE

REV	DESCRIPTION OF REVISIONS	CPD	BY	DATE
D	UPDATED BCAM VERSION 1 TO BCAM VERSION 2		CEK	6/29/2018
C	UPDATED PIN LEG CONNECTION TO BCAM CONNECTION		CEK	12/13/2017
B	CHANGED TIE-BACK BACK CONNECTION		CEK	7/26/2017
A	CHANGED TIE-BACK FRONT CONNECTION		CEK	2/2/2017
REVISION HISTORY				

TOLERANCE NOTES

TOLERANCES ON DIMENSIONS, UNLESS OTHERWISE NOTED ARE:
 SAWED, SHEARED AND GAS CUT EDGES ($\pm 0.030"$)
 DRILLED AND GAS CUT HOLES ($\pm 0.030"$) - NO CONING OF HOLES
 LASER CUT EDGES AND HOLES ($\pm 0.010"$) - NO CONING OF HOLES
 BENDS ARE $\pm 1/2$ DEGREE
 ALL OTHER MACHINING ($\pm 0.030"$)
 ALL OTHER ASSEMBLY ($\pm 0.060"$)

PROPRIETARY NOTE:
 THE DATA AND TECHNIQUES CONTAINED IN THIS DRAWING ARE PROPRIETARY INFORMATION OF VALMONT INDUSTRIES AND CONSIDERED A TRADE SECRET. ANY USE OR DISCLOSURE WITHOUT THE CONSENT OF VALMONT INDUSTRIES IS STRICTLY PROHIBITED.

DESCRIPTION	
6' HEAVY DUTY V-FRAME ASSEMBLY WITH TWO STIFF ARMS	

CPD NO.	DRAWN BY	ENG. APPROVAL
	CEK 1/25/2017	
CLASS	SUB	DRAWING USAGE
81	02	CUSTOMER
		CHECKED BY
		BMC 12/13/2017

 A valmont COMPANY	Locations: New York, NY Atlanta, GA Los Angeles, CA Plymouth, IN Salem, OR Dallas, TX
	Engineering Support Team: 1-888-753-7446
PART NO.	VFA6-HD
DWG. NO.	VFA6-HD