

PARTS LIST						
ITEM	QTY	PART NO.	PART DESCRIPTION	LENGTH	UNIT WT.	NET WT.
1	2	X-VFAW	SUPPORT ARM		71.41	142.81
2	1	X-HDCAMTBW	CLAMP WELDMENT FOR BCAM-HD		33.86	33.86
3	1	X-MHTPHD	MULTI-HOLE TAPER PLATE WELDMENT		36.24	36.24
4	2	X-VFAPL4	VFA-HD PIVOT PLATE	12 in	15.88	31.77
5	2	X-LCBP4	BENT BACKING PLATE	13 in	19.00	38.01
6	1	X-HDCAMSS	ANGLE ADJUSTMENT WELDMENT FOR BCAM-HD		16.39	16.39
7	2	X-SPTB	SLIDING PIPE TIE BACK PLATE	5 1/2 in	5.87	11.74
8	1	X-HDCAMSP	POSITIONING PLATE WELDMENT FOR BCAM-HD		2.58	2.58
9	2	X-TBCA	TIE BACK CLIP ANGLE		2.01	4.01
10	6	SCX2	CROSSOVER PLATE	7 in	4.80	28.78
11	2	MCP	CLAMP HALF 1/2" THICK, 11-5/8" LONG	12 1/16 in	3.59	7.19
12	4	DCP	1/2" THICK, 5-3/4" CTR TO CENTER CLAMP HALF	8 1/8 in	2.36	9.45
13	2	P30108	2-7/8" O.D. X 108" SCH. 40 PIPE	108 in	52.32	104.63
14	1	P2126	2-3/8" X 126" (2" SCH. 40) GALVANIZED PIPE	126 in	40.75	40.75
15	4	A34212	3/4" x 2-1/2" UNC HEX BOLT (A325)	2 1/2 in	0.48	1.92
16	4	G34FW	3/4" HDG USS FLATWASHER		0.06	0.24
17	4	G34LW	3/4" HDG LOCKWASHER		0.04	0.17
18	4	G34NUT	3/4" HDG HEAVY 2H HEX NUT		0.21	0.85
19	8	G58R-18	5/8" x 18" THREADED ROD (HDG.)	18 in	0.40	3.19
20	2	G58R-12	5/8" x 12" THREADED ROD (HDG.)		1.05	2.09
21	2	G58R-8	5/8" x 8" THREADED ROD (HDG.)		0.70	1.39
22	4	X-UB5300	5/8" X 3" X 5-1/4" X 2-1/2" U-BOLT (HDG.)		1.15	4.60
23	4	X-UB5258	5/8" X 2-5/8" X 4-1/2" X 2" U-BOLT (HDG.)		1.00	4.00
24	2	G5807	5/8" x 7" HDG HEX BOLT GR5 FULL THREAD	7 in	0.70	1.41
25	1	G5806	5/8" x 6" HDG HEX BOLT GR5 FULL THREAD	6 in	0.62	0.62
26	4	G5804	5/8" x 4" HDG HEX BOLT GR5		0.44	1.78
27	8	A582114	5/8" x 2-1/4" HDG A325 HEX BOLT	2 1/4 in	0.31	2.50
28	2	G5802	5/8" x 2" HDG HEX BOLT GR5		0.27	0.54
29	15	G58FW	5/8" HDG USS FLATWASHER	1/8 in	0.07	1.06
30	50	G58LW	5/8" HDG LOCKWASHER		0.03	1.30
31	53	G58NUT	5/8" HDG HEAVY 2H HEX NUT		0.13	6.88
32	24	X-UB1300	1/2" X 3" X 5" X 2" GALV U-BOLT		0.74	17.73
33	12	X-UB1212	1/2" X 2" X 3" X 1-1/4" U-BOLT (HDG.)		0.60	7.17
34	48	G12FW	1/2" HDG USS FLATWASHER	3/32 in	0.03	1.64
35	48	G12LW	1/2" HDG LOCKWASHER	1/8 in	0.01	0.67
36	48	G12NUT	1/2" HDG HEAVY 2H HEX NUT		0.07	3.44
					TOTAL WT. #	552.50

REV	DESCRIPTION OF REVISIONS	CPD	BY	DATE
B	U-DATED BCAM VERSION 1 TO BCAM VERSION 2		CEK	6/29/2018
A	UPDATED ANGLE CALIBRATING PROCEDURE PAGE 2		CEK	12/12/2017
REVISION HISTORY				

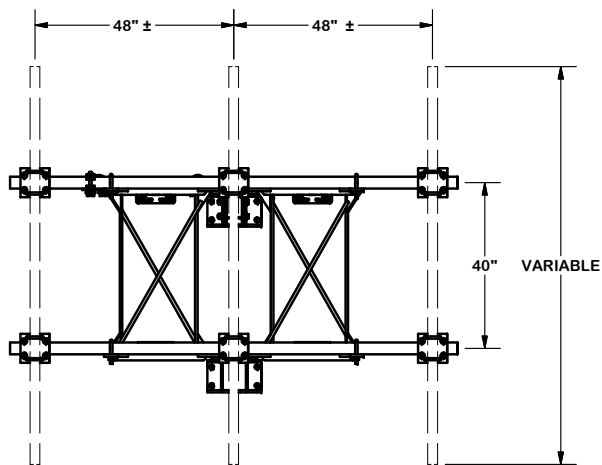
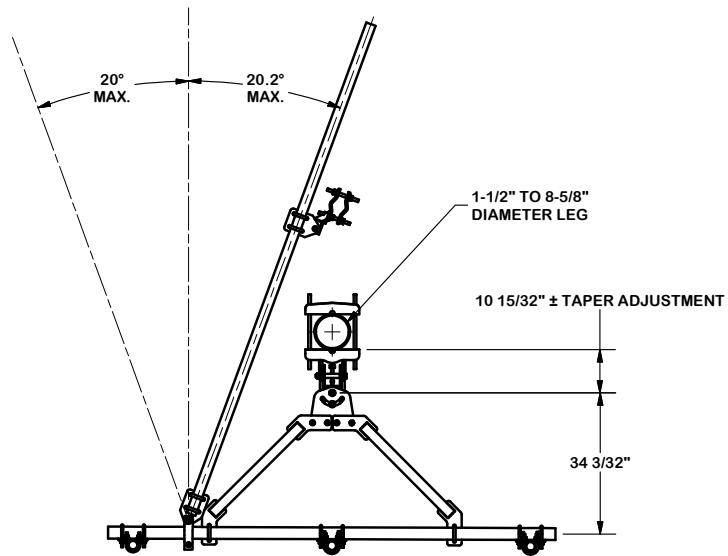
#### TOLERANCE NOTES

TOLERANCES ON DIMENSIONS, UNLESS OTHERWISE NOTED ARE:  
 SAWED, SHEARED AND GAS CUT EDGES ( $\pm 0.030"$ )  
 DRILLED AND GAS CUT HOLES ( $\pm 0.030"$ ) - NO CONING OF HOLES  
 LASER CUT EDGES AND HOLES ( $\pm 0.010"$ ) - NO CONING OF HOLES  
 BENDS ARE  $\pm 1/2$  DEGREE  
 ALL OTHER MACHINING ( $\pm 0.030"$ )  
 ALL OTHER ASSEMBLY ( $\pm 0.060"$ )

PROPRIETARY NOTE:  
 THE DATA AND TECHNIQUES CONTAINED IN THIS DRAWING ARE PROPRIETARY INFORMATION OF VALMONT INDUSTRIES AND CONSIDERED A TRADE SECRET. ANY USE OR DISCLOSURE WITHOUT THE CONSENT OF VALMONT INDUSTRIES IS STRICTLY PROHIBITED.

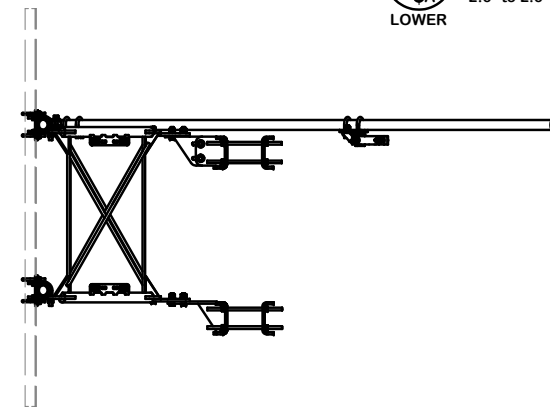
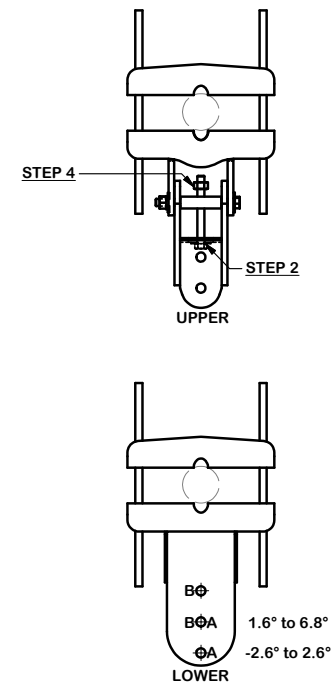
DESCRIPTION	
8' HEAVY DUTY V-FRAME ASSEMBLY WITH ONE STIFF ARMS	
CPD NO.	DRAWN BY
	CEK 6/29/2017
CLASS	DRAWING USAGE
81	CUSTOMER
SUB	ENG. APPROVAL
02	CEK 6/29/2017
	CHECKED BY
	BMC 12/12/2017

SITE PRO 1		Locations:	
Engineering Support Team: 1-888-753-7446		New York, NY	Atlanta, GA
		Los Angeles, CA	Plymouth, IN
		Salem, OR	Dallas, TX
A valmont COMPANY			
CPD NO.	DRAWN BY	ENG. APPROVAL	PART NO.
	CEK 6/29/2017		VFA8-HD-S
CLASS	DRAWING USAGE	CHECKED BY	DWG. NO.
81	CUSTOMER	BMC 12/12/2017	VFA8-HD-S



**ANGLE CALIBRATING PROCEDURE:**

1. MEASURE TOWER TAPER AND PICK LOWER BRACKET HOLE:
  - HOLE A = -2.6° TO 2.6°
  - HOLE B = 1.6° TO 6.8°
2. USE CALIBRATING BOLT TO ADJUST FRAME TO DESIRED TAPER
3. TORQUE LOCKING BOLTS TO 100 ft.-lbs.
4. ADVANCE LOCKING NUT TO POSITIONING PLATE, THEN TIGHTEN.



**TOLERANCE NOTES**

TOLERANCES ON DIMENSIONS, UNLESS OTHERWISE NOTED ARE:  
 SAWED, SHEARED AND GAS CUT EDGES ( $\pm 0.030"$ )  
 DRILLED AND GAS CUT HOLES ( $\pm 0.030"$ ) - NO CONING OF HOLES  
 LASER CUT EDGES AND HOLES ( $\pm 0.010"$ ) - NO CONING OF HOLES  
 BENDS ARE  $\pm 1/2$  DEGREE  
 ALL OTHER MACHINING ( $\pm 0.030"$ )  
 ALL OTHER ASSEMBLY ( $\pm 0.060"$ )

PROPRIETARY NOTE:  
 THE DATA AND TECHNIQUES CONTAINED IN THIS DRAWING ARE PROPRIETARY INFORMATION OF VALMONT INDUSTRIES AND CONSIDERED A TRADE SECRET. ANY USE OR DISCLOSURE WITHOUT THE CONSENT OF VALMONT INDUSTRIES IS STRICTLY PROHIBITED.

DESCRIPTION  
**8' HEAVY DUTY  
 V-FRAME ASSEMBLY  
 WITH ONE STIFF ARMS**

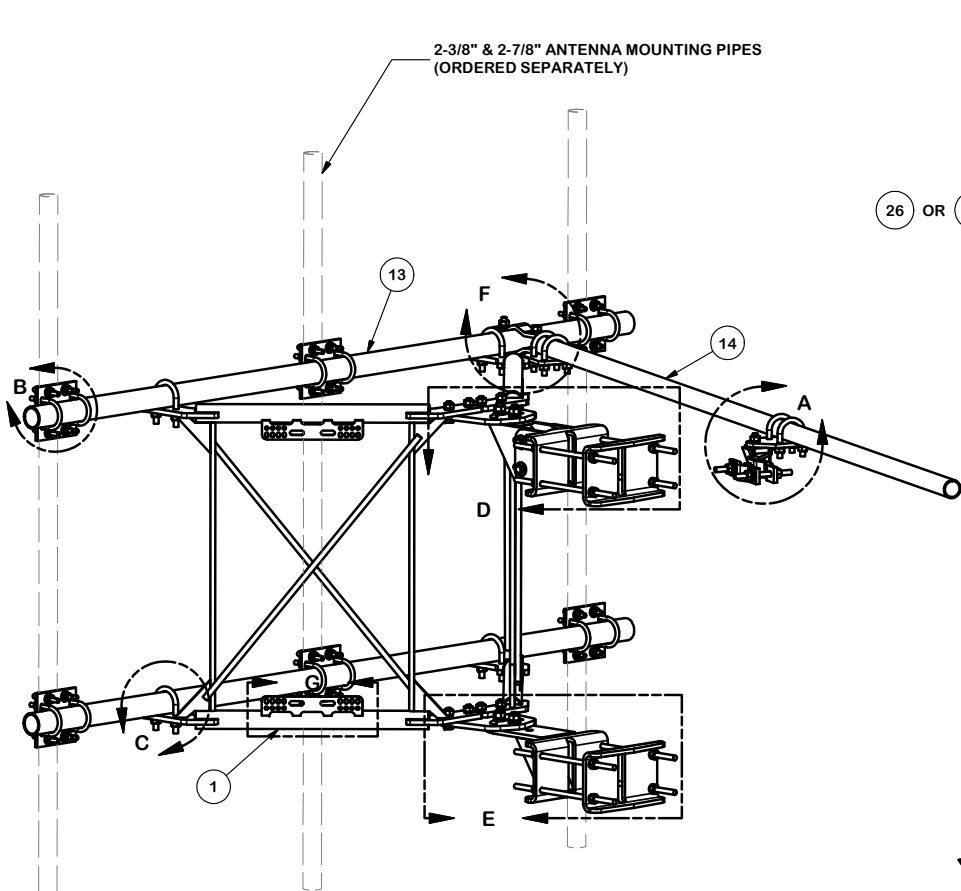
**SITE PRO 1**  
 Engineering Support Team:  
 1-888-753-7446

Locations:  
 New York, NY  
 Atlanta, GA  
 Los Angeles, CA  
 Plymouth, IN  
 Salem, OR  
 Dallas, TX

B	U-PDATED BCAM VERSION 1 TO BCAM VERSION 2	CEK	6/29/2018
A	UPDATED ANGLE CALIBRATING PROCEDURE PAGE 2	CEK	12/12/2017
REV	DESCRIPTION OF REVISIONS	CPD	BY
REVISION HISTORY			

CPD NO.	DRAWN BY	ENG. APPROVAL
	CEK 6/29/2017	
CLASS	DRAWING USAGE	CHECKED BY
81	CUSTOMER	BMC 12/12/2017

PART NO.	VFA8-HD-S
DWG. NO.	VFA8-HD-S

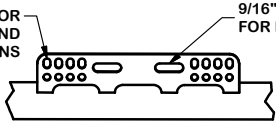
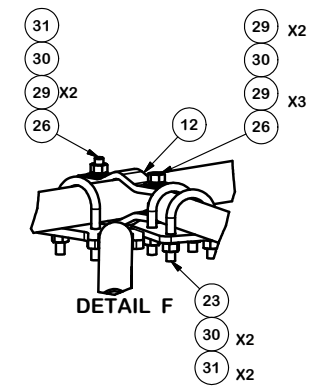
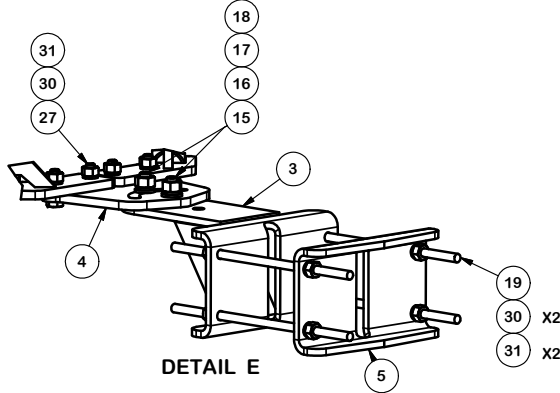
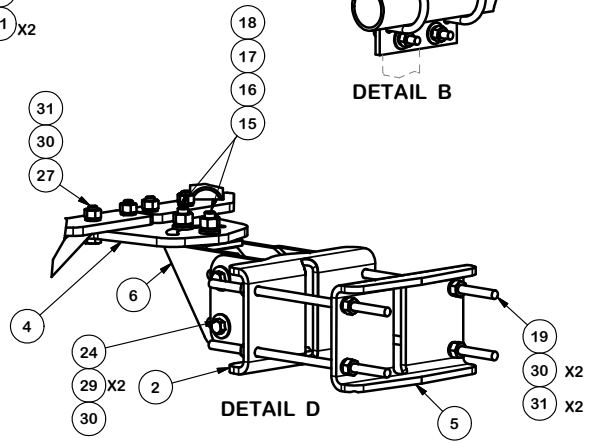
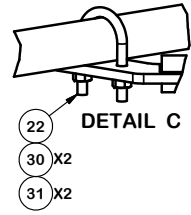
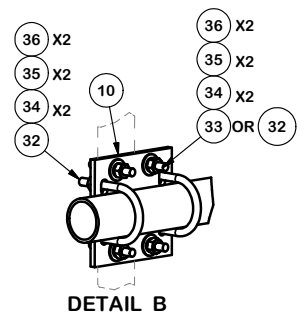
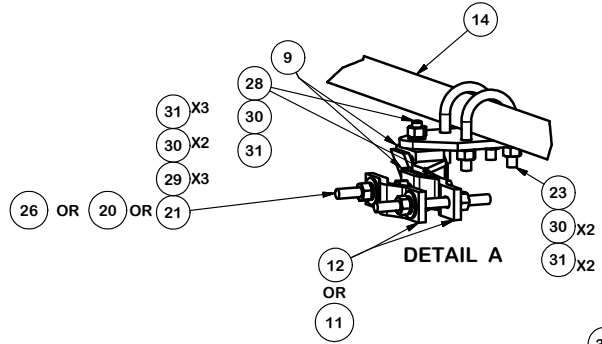


2-3/8" & 2-7/8" ANTENNA MOUNTING PIPES  
(ORDERED SEPARATELY)

7/16" LUG HOLES

REVIEW CARRIER STANDARDS FOR  
PROPER SURFACE PREPARATION AND  
ASSEMBLY OF ELECTRICAL CONNECTIONS

9/16" SLOTTED HOLE  
FOR EQUIPMENT PIPE U-BOLT



DETAIL G

DETAIL E

DETAIL F

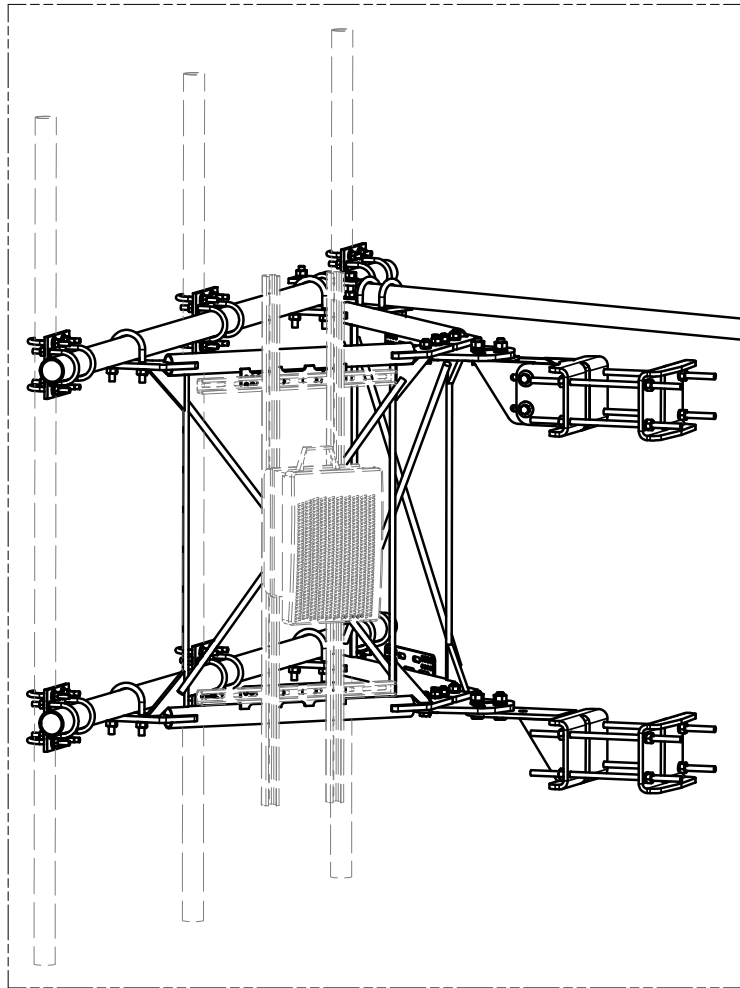
REV	DESCRIPTION OF REVISIONS	CPD	BY	DATE
B	U-UPDATED BCAM VERSION 1 TO BCAM VERSION 2		CEK	6/29/2018
A	UPDATED ANGLE CALIBRATING PROCEDURE PAGE 2		CEK	12/12/2017
REVISION HISTORY				

**TOLERANCE NOTES**  
 TOLERANCES ON DIMENSIONS, UNLESS OTHERWISE NOTED ARE:  
 SAWED, SHEARED AND GAS CUT EDGES ( $\pm 0.030"$ )  
 DRILLED AND GAS CUT HOLES ( $\pm 0.030"$ ) - NO CONING OF HOLES  
 LASER CUT EDGES AND HOLES ( $\pm 0.010"$ ) - NO CONING OF HOLES  
 BENDS ARE  $\pm 1/2$  DEGREE  
 ALL OTHER MACHINING ( $\pm 0.030"$ )  
 ALL OTHER ASSEMBLY ( $\pm 0.060"$ )

**PROPRIETARY NOTE:**  
 THE DATA AND TECHNIQUES CONTAINED IN THIS DRAWING ARE PROPRIETARY INFORMATION OF VALMONT INDUSTRIES AND CONSIDERED A TRADE SECRET. ANY USE OR DISCLOSURE WITHOUT THE CONSENT OF VALMONT INDUSTRIES IS STRICTLY PROHIBITED.

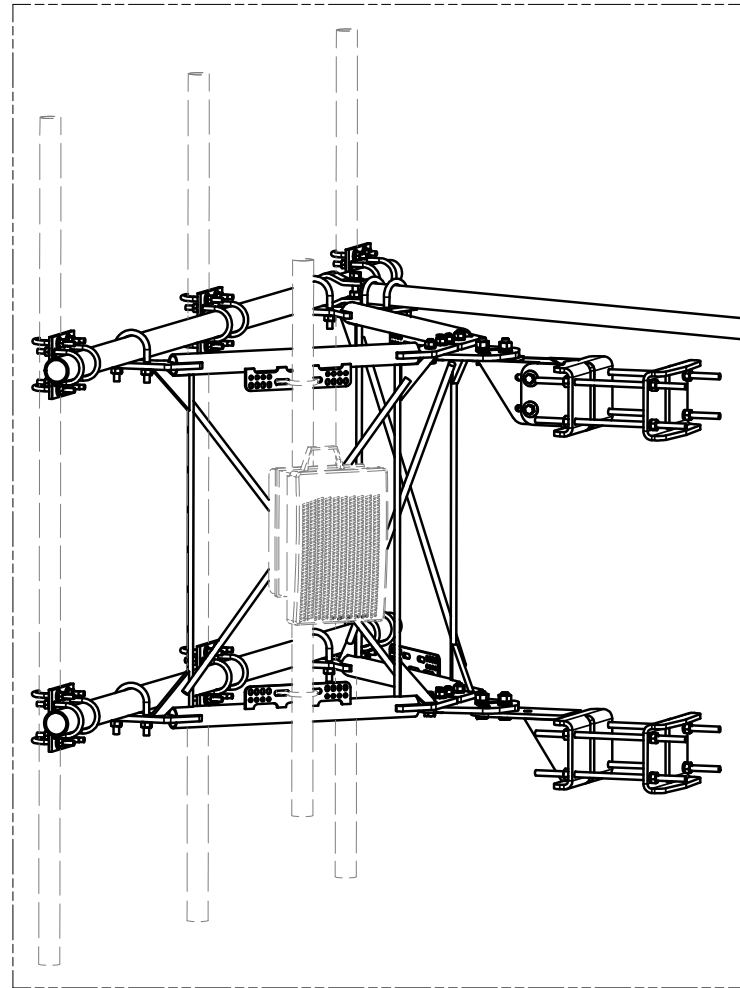
DESCRIPTION		8" HEAVY DUTY V-FRAME ASSEMBLY WITH ONE STIFF ARMS	
CPD NO.	DRAWN BY	ENG. APPROVAL	
	CEK 6/29/2017		
CLASS	DRAWING USAGE	CHECKED BY	
81	CUSTOMER	BMC 12/12/2017	

 A valmont COMPANY	Locations: New York, NY Atlanta, GA Los Angeles, CA Plymouth, IN Salem, OR Dallas, TX
	Engineering Support Team: 1-888-753-7446
PART NO.	VFA8-HD-S
DWG. NO.	VFA8-HD-S



UNISTRUT AND HARDWARE  
SOLD SEPARATELY.

REQUIRES 3/8" HARDWARE



EQUIPMENT PIPE AND HARDWARE  
SOLD SEPARATELY.

REQUIRES 1/2" HARDWARE  
AND 2-3/8" TO 4-1/2" O.D. PIPE

B	U-PDATED BCAM VERSION 1 TO BCAM VERSION 2		CEK	6/29/2018
A	UPDATED ANGLE CALIBRATING PROCEDURE PAGE 2		CEK	12/12/2017
REV	DESCRIPTION OF REVISIONS	CPD	BY	DATE
REVISION HISTORY				

**TOLERANCE NOTES**

TOLERANCES ON DIMENSIONS, UNLESS OTHERWISE NOTED ARE:  
 SAWED, SHEARED AND GAS CUT EDGES ( $\pm 0.030"$ )  
 DRILLED AND GAS CUT HOLES ( $\pm 0.030"$ ) - NO CONING OF HOLES  
 LASER CUT EDGES AND HOLES ( $\pm 0.010"$ ) - NO CONING OF HOLES  
 BENDS ARE  $\pm 1/2$  DEGREE  
 ALL OTHER MACHINING ( $\pm 0.030"$ )  
 ALL OTHER ASSEMBLY ( $\pm 0.060"$ )

PROPRIETARY NOTE:  
 THE DATA AND TECHNIQUES CONTAINED IN THIS DRAWING ARE PROPRIETARY INFORMATION OF VALMONT  
 INDUSTRIES AND CONSIDERED A TRADE SECRET. ANY USE OR DISCLOSURE WITHOUT THE CONSENT OF  
 VALMONT INDUSTRIES IS STRICTLY PROHIBITED.

DESCRIPTION		8' HEAVY DUTY V-FRAME ASSEMBLY WITH ONE STIFF ARMS	
CPD NO.	DRAWN BY	ENG. APPROVAL	
	CEK 6/29/2017		
CLASS	SUB	DRAWING USAGE	CHECKED BY
81	02	CUSTOMER	BMC 12/12/2017

 A valmont COMPANY	Locations: New York, NY Atlanta, GA Los Angeles, CA Plymouth, IN Salem, OR Dallas, TX
	Engineering Support Team: 1-888-753-7446
PART NO.	VFA8-HD-S
DWG. NO.	VFA8-HD-S