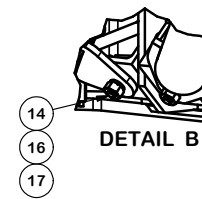
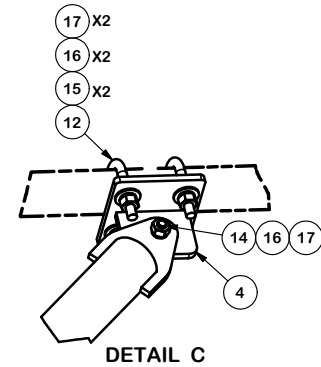
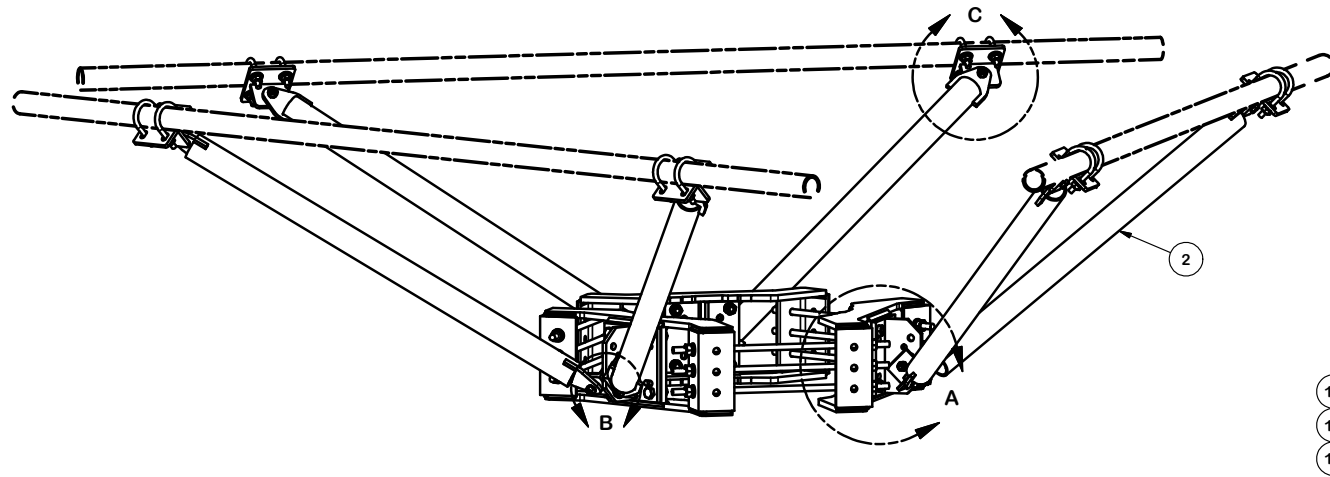


PARTS LIST						
ITEM	QTY	PART NO.	PART DESCRIPTION	LENGTH	UNIT WT.	NET WT.
1	3	X-LWRM	RING MOUNT WELDMENT		68.81	206.42
2	6	X-VSK	SUPPORT WELDMENT FOR VSK REINFORCEMENTS		27.05	162.32
3	3	X-TBW	T-BRACKET WELDMENT		13.60	40.80
4	6	X-VSKBRKT	T-BRACKET WELDMENT FOR VSK REINFORCEMENTS		4.19	25.13
5	6	SHCM-T	CHAIN MOUNT TIGHTENER BRACKET	3 in	1.86	11.15
6	9	G58R-24	5/8" x 24" THREADED ROD (HDG.)		2.09	18.82
6	9	G58R-48	5/8" x 48" THREADED ROD (HDG.)		4.18	37.63
7	18	A58FW	5/8" HDG A325 FLATWASHER		0.03	0.61
8	12	A582114	5/8" x 2-1/4" HDG A325 HEX BOLT	2 1/4 in	0.31	3.75
9	30	G58LW	5/8" HDG LOCKWASHER		0.03	0.78
10	12	G58NUT	5/8" HDG HEAVY 2H HEX NUT		0.13	1.56
11	18	A58NUT	5/8" HDG A325 HEX NUT		0.13	2.34
12	12	X-UB1212	1/2" X 2-1/2" X 4-1/2" X 2" U-BOLT (HDG.)		0.60	7.17
13	3	G12212	1/2" x 2-1/2" HDG HEX BOLT GR5	2 1/2 in	0.20	0.61
14	12	G12112	1/2" x 1-1/2" HDG HEX BOLT GR5	1/2 in	0.15	1.77
15	24	G12FW	1/2" HDG USS FLATWASHER	3/32 in	0.03	0.82
16	39	G12LW	1/2" HDG LOCKWASHER	1/8 in	0.01	0.54
17	39	G12NUT	1/2" HDG HEAVY 2H HEX NUT		0.07	2.79
					TOTAL WT. #	525.02



**TOLERANCE NOTES**

TOLERANCES ON DIMENSIONS, UNLESS OTHERWISE NOTED ARE:  
 SAWED, SHEARED AND GAS CUT EDGES ( $\pm 0.030"$ )  
 DRILLED AND GAS CUT HOLES ( $\pm 0.030"$ ) - NO CONING OF HOLES  
 LASER CUT EDGES AND HOLES ( $\pm 0.010"$ ) - NO CONING OF HOLES  
 BENDS AND ANGLES ARE  $\pm 1/2$  DEGREE  
 ALL OTHER MACHINING ( $\pm 0.030"$ )  
 ALL OTHER ASSEMBLY ( $\pm 0.060"$ )

PROPRIETARY NOTE:  
 THE DATA AND TECHNIQUES CONTAINED IN THIS DRAWING ARE PROPRIETARY INFORMATION OF VALMONT INDUSTRIES AND CONSIDERED A TRADE SECRET. ANY USE OR DISCLOSURE WITHOUT THE CONSENT OF VALMONT INDUSTRIES IS STRICTLY PROHIBITED.

DESCRIPTION  
**V-STYLE MONOPOLE REINFORCEMENT KITS**

CPD NO.	DRAWN BY	ENG. APPROVAL
CLASS	DRAWING USAGE	CHECKED BY
81	01	CUSTOMER
		BMC 8/29/2019

**SITE PRO 1**  
 A valmont COMPANY  
 Engineering Support Team:  
 1-888-753-7446  
 Locations:  
 New York, NY  
 Atlanta, GA  
 Los Angeles, CA  
 Plymouth, IN  
 Salem, OR  
 Dallas, TX  
 Tampa, FL

PART NO.	VSK-MHD
DWG. NO.	VSK-MHD