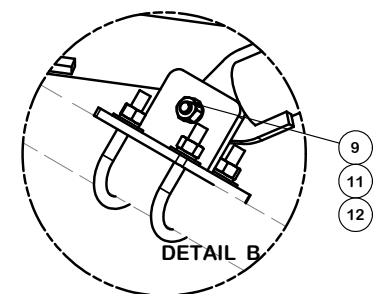
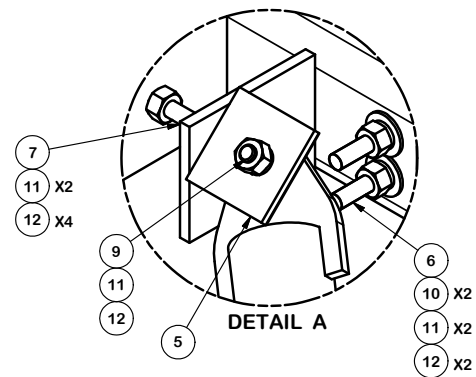


SECTOR FRAME REINFORCING KIT ATTACHES TO EITHER EXISTING 2-3/8" OR 2-7/8" SECTOR FRAME CROSS ARMS OR TO AN OPTIONAL 2-2/3" OR 2-7/8" HORIZONTAL ROUND MEMBER (SHOWN, SOLD SEPARATELY). IF PURCHASING OPTIONAL HORIZONTAL ROUND MEMBER, CORRESPONDING CROSSOVER PLATE KITS WILL NEED TO BE PURCHASED, ONE PER EXISTING ANTENNA MOUNTING PIPE.

PARTS LIST						
ITEM	QTY	PART NO.	PART DESCRIPTION	LENGTH	UNIT WT.	NET WT.
1	4	X-VSKL	LONG SUPPORT WELDMNT FOR VSK REINFORCEMENTS		37.05	148.22
2	2	CFS	LOWER GATE FOOT WELDMNT		12.72	25.45
3	2	GBB	GATE BACKING BAR	11 1/2 in	4.53	9.06
4	4	X-VSKBRKT	T-BRACKET WELDMNT FOR VSK REINFORCEMENTS		4.19	16.76
5	4	SHCM-T	CHAIN MOUNT TIGHTENER BRACKET	3 in	1.86	7.43
6	8	G12R-15	1/2" x 15" THREADED ROD (HDG.)		0.84	6.69
6	8	G12R-12	1/2" x 12" THREADED ROD (HDG.)		0.67	5.35
7	2	G12R-6	1/2" x 6" GALV. THREADED ROD		0.33	0.67
8	8	X-UB1212	1/2" X 2-1/2" X 4-1/2" X 2" U-BOLT (HDG.)		0.60	4.78
8	8	X-UB1300	1/2" X 3" X 5" X 2" U-BOLT (HDG.)		0.67	5.35
9	8	G12112	1/2" x 1-1/2" HDG HEX BOLT GR5	1/2 in	0.15	1.18
10	32	G12FW	1/2" HDG USS FLATWASHER	3/32 in	0.03	1.09
11	44	G12LW	1/2" HDG LOCKWASHER	1/8 in	0.01	0.61
12	48	G12NUT	1/2" HDG HEAVY 2H HEX NUT		0.07	3.44
					TOTAL WT. #	236.08



TOLERANCE NOTES

TOLERANCES ON DIMENSIONS, UNLESS OTHERWISE NOTED ARE:
 SAWED, SHEARED AND GAS CUT EDGES ($\pm 0.030"$)
 DRILLED AND GAS CUT HOLES ($\pm 0.030"$) - NO CONING OF HOLES
 LASER CUT EDGES AND HOLES ($\pm 0.010"$) - NO CONING OF HOLES
 BENDS ARE $\pm 1/2$ DEGREE
 ALL OTHER MACHINING ($\pm 0.030"$)
 ALL OTHER ASSEMBLY ($\pm 0.060"$)

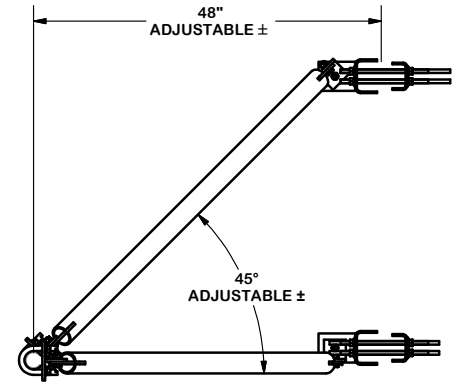
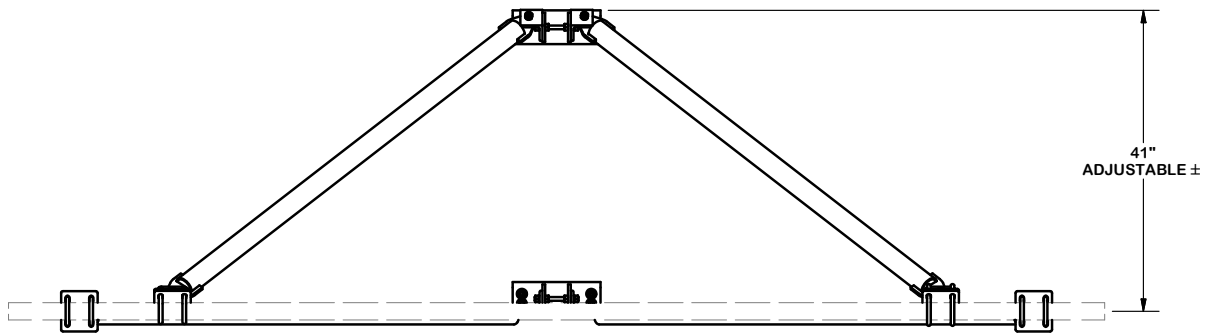
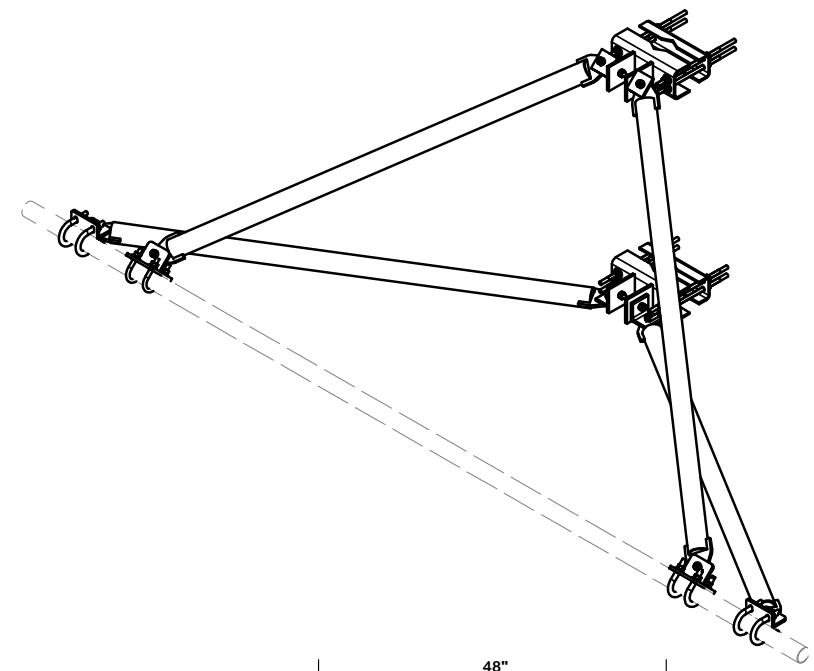
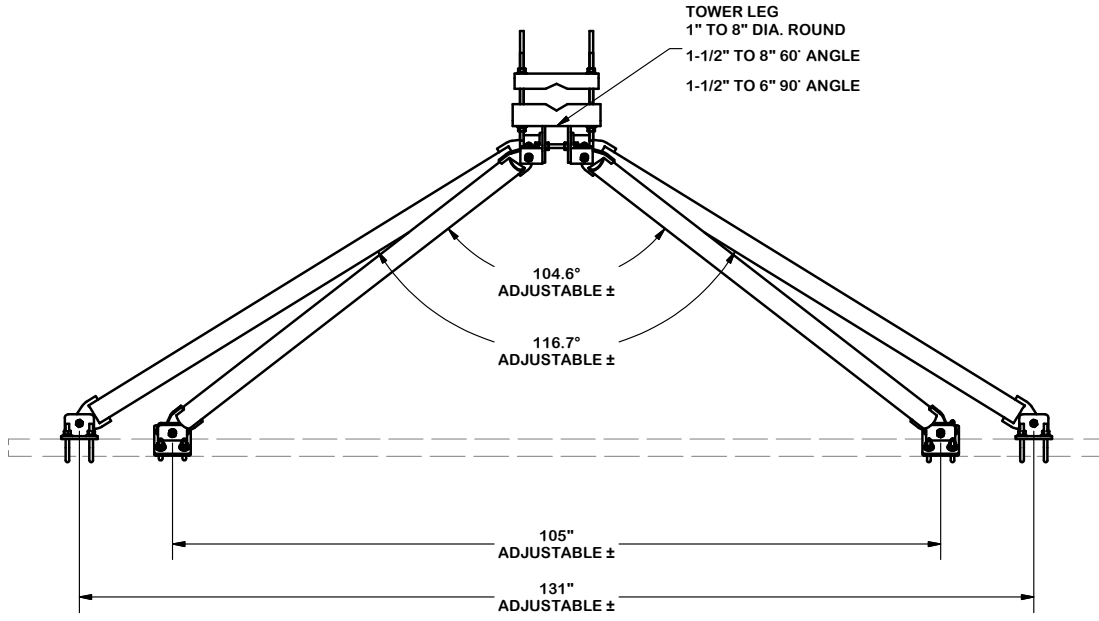
PROPRIETARY NOTE:
 THE DATA AND TECHNIQUES CONTAINED IN THIS DRAWING ARE PROPRIETARY INFORMATION OF VALMONT INDUSTRIES AND CONSIDERED A TRADE SECRET. ANY USE OR DISCLOSURE WITHOUT THE CONSENT OF VALMONT INDUSTRIES IS STRICTLY PROHIBITED.

DESCRIPTION
V-STYLEE SECTOR FRAME REINFORCEMENT KIT - LONG

CPD NO.	DRAWN BY CEK 8/7/2019	ENG. APPROVAL
CLASS 81	SUB 01	DRAWING USAGE CUSTOMER
	CHECKED BY BMC 8/19/2019	

SITE PRO 1
 Engineering Support Team:
 1-888-753-7446
 Locations:
 New York, NY
 Atlanta, GA
 Los Angeles, CA
 Plymouth, IN
 Salem, OR
 Dallas, TX

PART NO. VSK-SFR-L	PAGE 1 OF 3
DWG. NO. VSK-SFR-L	



TOLERANCE NOTES

TOLERANCES ON DIMENSIONS, UNLESS OTHERWISE NOTED ARE:
 SAWED, SHEARED AND GAS CUT EDGES (± 0.030)
 DRILLED AND GAS CUT HOLES (± 0.030) - NO CONING OF HOLES
 LASER CUT EDGES AND HOLES (± 0.010) - NO CONING OF HOLES
 BENDS ARE $\pm 1/2$ DEGREE
 ALL OTHER MACHINING (± 0.030)
 ALL OTHER ASSEMBLY (± 0.060)

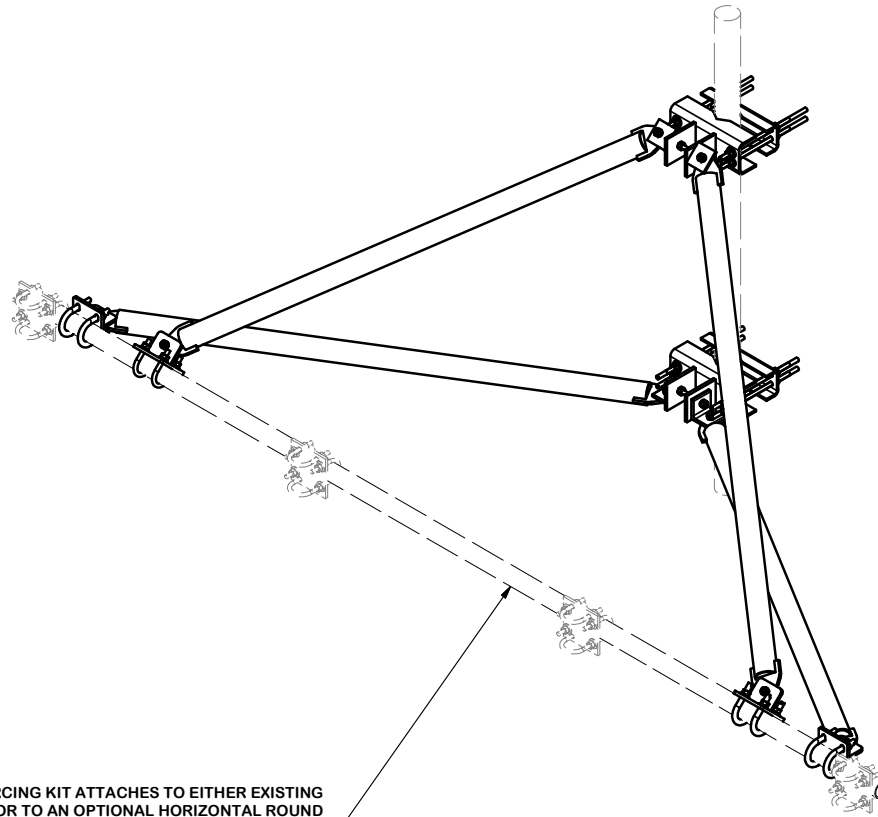
PROPRIETARY NOTE:
 THE DATA AND TECHNIQUES CONTAINED IN THIS DRAWING ARE PROPRIETARY INFORMATION OF VALMONT INDUSTRIES AND CONSIDERED A TRADE SECRET. ANY USE OR DISCLOSURE WITHOUT THE CONSENT OF VALMONT INDUSTRIES IS STRICTLY PROHIBITED.

DESCRIPTION
V-STYLEE SECTOR FRAME REINFORCEMENT KIT - LONG

SITE PRO 1
 Engineering Support Team:
 1-888-753-7446
 Locations:
 New York, NY
 Atlanta, GA
 Los Angeles, CA
 Plymouth, IN
 Salem, OR
 Dallas, TX

CPD NO.	DRAWN BY CEK 8/7/2019	ENG. APPROVAL
CLASS 81	SUB 01	DRAWING USAGE CUSTOMER
	CHECKED BY BMC 8/19/2019	

PART NO.	VSK-SFR-L	PAGE 2 OF 3
DWG. NO.	VSK-SFR-L	



SECTOR FRAME REINFORCING KIT ATTACHES TO EITHER EXISTING SECTOR FRAME CROSS ARMS OR TO AN OPTIONAL HORIZONTAL ROUND MEMBER (SHOWN, SOLD SEPARATELY). IF PURCHASING OPTIONAL HORIZONTAL ROUND MEMBER, CORRESPONDING CROSSOVER PLATE KITS WILL NEED TO BE PURCHASED, ONE PER EXISTING ANTENNA MOUNTING PIPE.

TOLERANCE NOTES

**TOLERANCES ON DIMENSIONS, UNLESS OTHERWISE NOTED ARE:
 SAWED, SHEARED AND GAS CUT EDGES ($\pm 0.030"$)
 DRILLED AND GAS CUT HOLES ($\pm 0.030"$) - NO CONING OF HOLES
 LASER CUT EDGES AND HOLES ($\pm 0.010"$) - NO CONING OF HOLES
 BENDS ARE $\pm 1/2$ DEGREE
 ALL OTHER MACHINING ($\pm 0.030"$)
 ALL OTHER ASSEMBLY ($\pm 0.060"$)**

**PROPRIETARY NOTE:
 THE DATA AND TECHNIQUES CONTAINED IN THIS DRAWING ARE PROPRIETARY INFORMATION OF VALMONT INDUSTRIES AND CONSIDERED A TRADE SECRET. ANY USE OR DISCLOSURE WITHOUT THE CONSENT OF VALMONT INDUSTRIES IS STRICTLY PROHIBITED.**

DESCRIPTION
**V-STYLEE SECTOR FRAME
 REINFORCEMENT KIT - LONG**

CPD NO.	DRAWN BY CEK	8/7/2019	ENG. APPROVAL
CLASS 81	SUB 01	DRAWING USAGE CUSTOMER	CHECKED BY BMC 8/19/2019

SITE PRO 1
 A valmont COMPANY

Engineering Support Team:
 1-888-753-7446

Locations:
 New York, NY
 Atlanta, GA
 Los Angeles, CA
 Plymouth, IN
 Salem, OR
 Dallas, TX

PART NO.	VSK-SFR-L	PAGE
DWG. NO.	VSK-SFR-L	3 OF 3