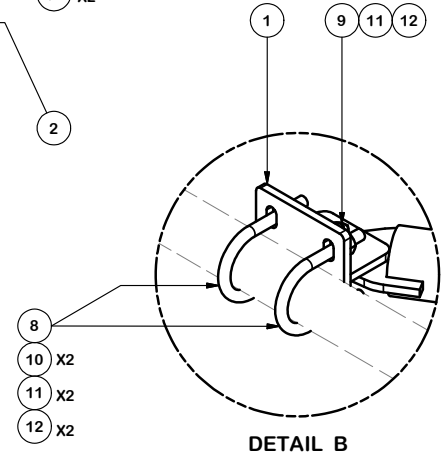
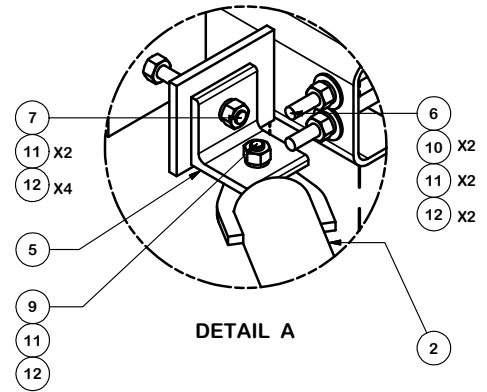
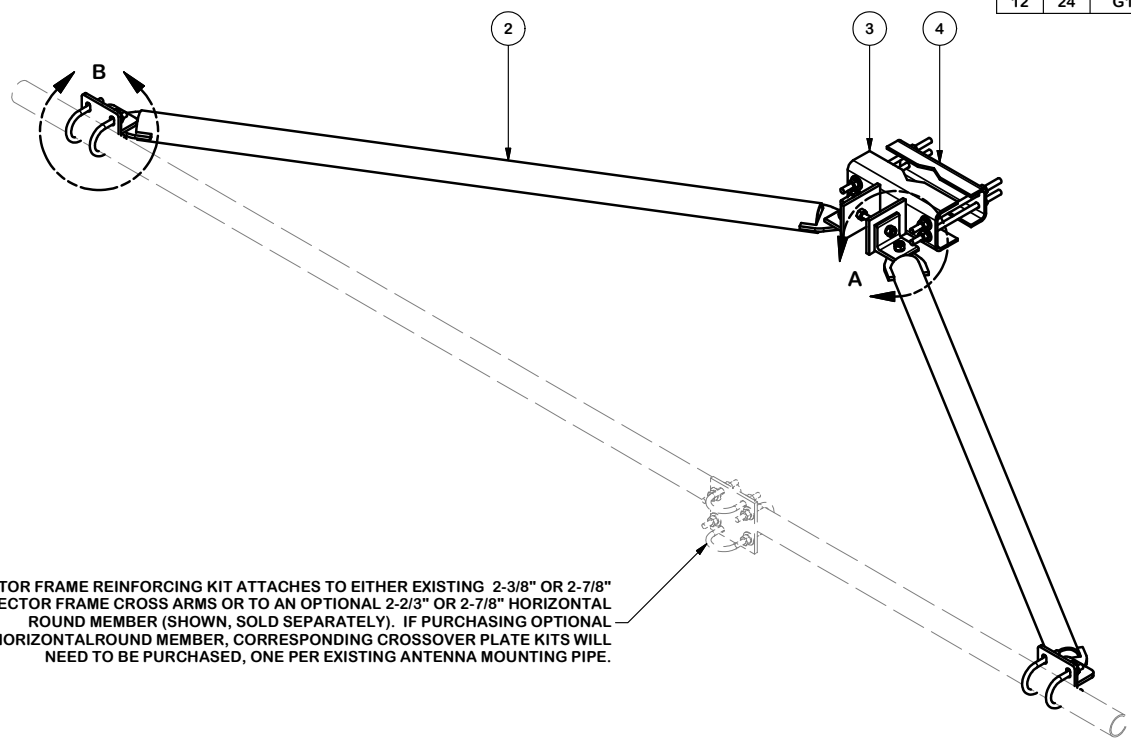


PARTS LIST						
ITEM	QTY	PART NO.	PART DESCRIPTION	LENGTH	UNIT WT.	NET WT.
1	2	X-VSKBRKT	T-BRACKET WELDMENT FOR VSK REINFORCEMENTS		4.19	8.38
2	2	X-VSKL	LONG SUPPORT WELDMENT FOR VSK REINFORCEMENTS		37.05	74.11
3	1	CFS	LOWER GATE FOOT WELDMENT		12.72	12.72
4	1	GBB	GATE BACKING BAR	11 1/2 in	4.53	4.53
5	2	SHCM-T	CHAIN MOUNT TIGHTENER BRACKET	3 in	1.86	3.72
6	4	G12R-15	1/2" x 15" THREADED ROD (HDG.)		0.84	3.35
6	4	G12R-12	1/2" x 12" THREADED ROD (HDG.)		0.67	2.68
7	1	G12R-6	1/2" x 6" GALV. THREADED ROD		0.33	0.33
8	4	X-UB1300	1/2" X 3" X 5" X 2" U-BOLT (HDG.)		0.67	2.68
8	4	X-UB1212	1/2" X 2-1/2" X 4-1/2" X 2" U-BOLT (HDG.)		0.60	2.39
9	4	G12112	1/2" x 1-1/2" HDG HEX BOLT GR5	1/2 in	0.15	0.59
10	16	G12FW	1/2" HDG USS FLATWASHER	3/32 in	0.03	0.55
11	22	G12LW	1/2" HDG LOCKWASHER	1/8 in	0.01	0.31
12	24	G12NUT	1/2" HDG HEAVY 2H HEX NUT		0.07	1.72
					TOTAL WT. #	118.04



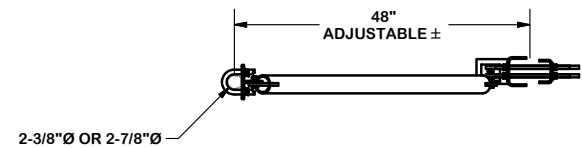
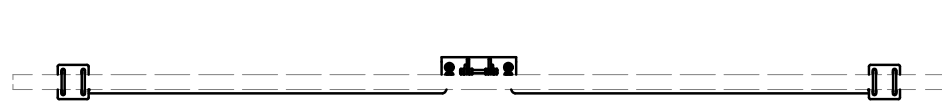
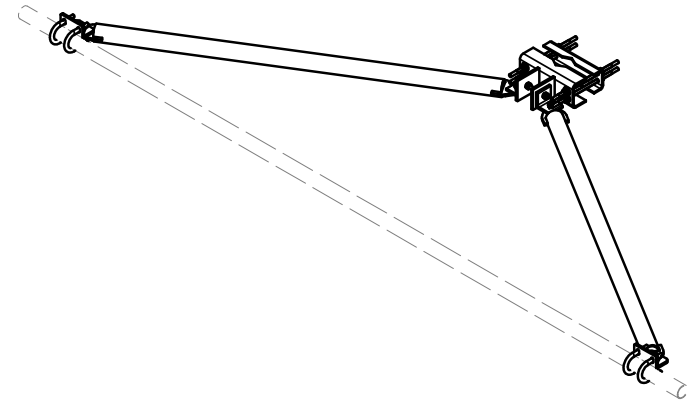
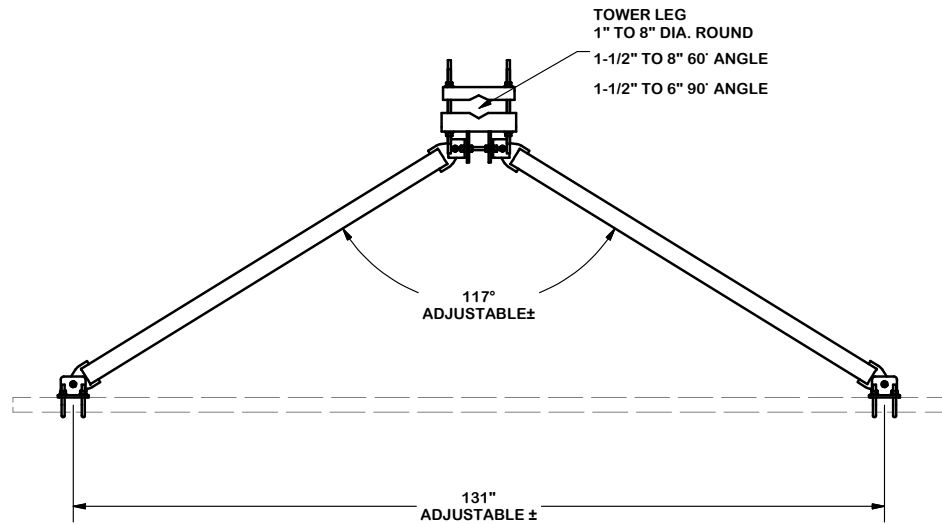
SECTOR FRAME REINFORCING KIT ATTACHES TO EITHER EXISTING 2-3/8" OR 2-7/8" SECTOR FRAME CROSS ARMS OR TO AN OPTIONAL 2-2/3" OR 2-7/8" HORIZONTAL ROUND MEMBER (SHOWN, SOLD SEPARATELY). IF PURCHASING OPTIONAL HORIZONTAL ROUND MEMBER, CORRESPONDING CROSSOVER PLATE KITS WILL NEED TO BE PURCHASED, ONE PER EXISTING ANTENNA MOUNTING PIPE.

TOLERANCE NOTES
 TOLERANCES ON DIMENSIONS, UNLESS OTHERWISE NOTED ARE:
 SAWED, SHEARED AND GAS CUT EDGES ($\pm 0.030"$)
 DRILLED AND GAS CUT HOLES ($\pm 0.030"$) - NO CONING OF HOLES
 LASER CUT EDGES AND HOLES ($\pm 0.010"$) - NO CONING OF HOLES
 BENDS ARE $\pm 1/2$ DEGREE
 ALL OTHER MACHINING ($\pm 0.030"$)
 ALL OTHER ASSEMBLY ($\pm 0.060"$)

PROPRIETARY NOTE:
 THE DATA AND TECHNIQUES CONTAINED IN THIS DRAWING ARE PROPRIETARY INFORMATION OF VALMONT INDUSTRIES AND CONSIDERED A TRADE SECRET. ANY USE OR DISCLOSURE WITHOUT THE CONSENT OF VALMONT INDUSTRIES IS STRICTLY PROHIBITED.

DESCRIPTION		SECTOR FRAME STABILIZER LONG HORIZONTAL PIPE ARMS	
CPD NO.	DRAWN BY	ENG. APPROVAL	
SP1	CSL	8/1/2019	
CLASS	SUB	DRAWING USAGE	CHECKED BY
87	02	CUSTOMER	BMC 8/19/2019

 A valmont COMPANY	Locations: New York, NY Atlanta, GA Los Angeles, CA Plymouth, IN Salem, OR Dallas, TX
	Engineering Support Team: 1-888-753-7446
PART NO.	VSK-TH-L
DWG. NO.	VSK-TH-L



TOLERANCE NOTES

TOLERANCES ON DIMENSIONS, UNLESS OTHERWISE NOTED ARE:
 SAWED, SHEARED AND GAS CUT EDGES ($\pm 0.030"$)
 DRILLED AND GAS CUT HOLES ($\pm 0.030"$) - NO CONING OF HOLES
 LASER CUT EDGES AND HOLES ($\pm 0.010"$) - NO CONING OF HOLES
 BENDS ARE $\pm 1/2$ DEGREE
 ALL OTHER MACHINING ($\pm 0.030"$)
 ALL OTHER ASSEMBLY ($\pm 0.060"$)

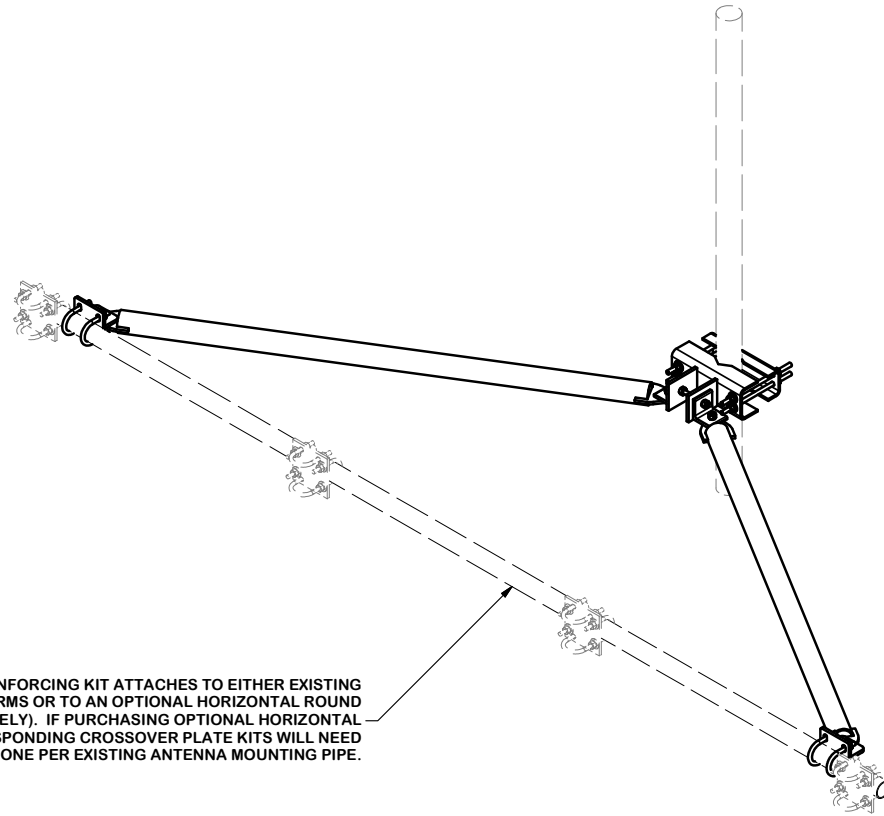
PROPRIETARY NOTE:
 THE DATA AND TECHNIQUES CONTAINED IN THIS DRAWING ARE PROPRIETARY INFORMATION OF VALMONT INDUSTRIES AND CONSIDERED A TRADE SECRET. ANY USE OR DISCLOSURE WITHOUT THE CONSENT OF VALMONT INDUSTRIES IS STRICTLY PROHIBITED.

DESCRIPTION
 SECTOR FRAME STABILIZER
 LONG HORIZONTAL PIPE ARMS

SITE PRO 1
 Engineering Support Team:
 1-888-753-7446
 Locations:
 New York, NY
 Atlanta, GA
 Los Angeles, CA
 Plymouth, IN
 Salem, OR
 Dallas, TX

CPD NO. SP1	DRAWN BY CSL	8/1/2019	ENG. APPROVAL
CLASS 87	SUB 02	DRAWING USAGE CUSTOMER	CHECKED BY BMC 8/19/2019

PART NO. VSK-TH-L	PAGE 2 OF 3
DWG. NO. VSK-TH-L	



SECTOR FRAME REINFORCING KIT ATTACHES TO EITHER EXISTING SECTOR FRAME CROSS ARMS OR TO AN OPTIONAL HORIZONTAL ROUND MEMBER (SHOWN, SOLD SEPARATELY). IF PURCHASING OPTIONAL HORIZONTAL ROUND MEMBER, CORRESPONDING CROSSOVER PLATE KITS WILL NEED TO BE PURCHASED, ONE PER EXISTING ANTENNA MOUNTING PIPE.

TOLERANCE NOTES

**TOLERANCES ON DIMENSIONS, UNLESS OTHERWISE NOTED ARE:
 SAWED, SHEARED AND GAS CUT EDGES (± 0.030 ")
 DRILLED AND GAS CUT HOLES (± 0.030 ") - NO CONING OF HOLES
 LASER CUT EDGES AND HOLES (± 0.010 ") - NO CONING OF HOLES
 BENDS ARE $\pm 1/2$ DEGREE
 ALL OTHER MACHINING (± 0.030 ")
 ALL OTHER ASSEMBLY (± 0.060 ")**

**PROPRIETARY NOTE:
 THE DATA AND TECHNIQUES CONTAINED IN THIS DRAWING ARE PROPRIETARY INFORMATION OF VALMONT INDUSTRIES AND CONSIDERED A TRADE SECRET. ANY USE OR DISCLOSURE WITHOUT THE CONSENT OF VALMONT INDUSTRIES IS STRICTLY PROHIBITED.**

DESCRIPTION
 SECTOR FRAME STABILIZER
 LONG HORIZONTAL PIPE ARMS

CPD NO. SP1	DRAWN BY CSL	8/1/2019	ENG. APPROVAL
CLASS 87	SUB 02	DRAWING USAGE CUSTOMER	CHECKED BY BMC 8/19/2019

SITE PRO 1
 A valmont COMPANY

Engineering Support Team:
 1-888-753-7446

Locations:
 New York, NY
 Atlanta, GA
 Los Angeles, CA
 Plymouth, IN
 Salem, OR
 Dallas, TX

PART NO. VSK-TH-L	PAGE 3 OF 3
DWG. NO. VSK-TH-L	