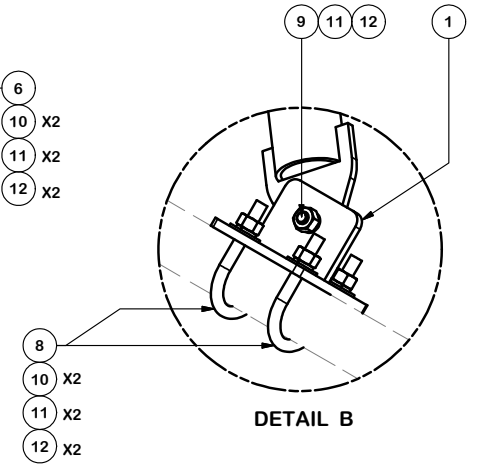
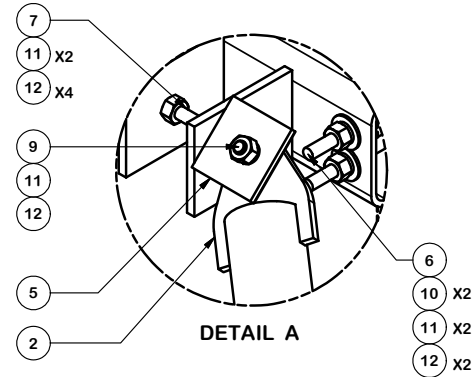


SECTOR FRAME REINFORCING KIT ATTACHES TO EITHER EXISTING 2-3/8" OR 2-7/8" SECTOR FRAME CROSS ARMS OR TO AN OPTIONAL 2-2/3" OR 2-7/8" HORIZONTAL ROUND MEMBER (SHOWN, SOLD SEPARATELY). IF PURCHASING OPTIONAL HORIZONTAL ROUND MEMBER, CORRESPONDING CROSSOVER PLATE KITS WILL NEED TO BE PURCHASED, ONE PER EXISTING ANTENNA MOUNTING PIPE.

PARTS LIST						
ITEM	QTY	PART NO.	PART DESCRIPTION	LENGTH	UNIT WT.	NET WT.
1	2	X-VSKBRKT	T-BRACKET WELDMENT FOR VSK REINFORCEMENTS		4.19	8.38
2	2	X-VSKL	LONG SUPPORT WELDMENT FOR VSK REINFORCEMENTS		37.05	74.11
3	1	CFS	LOWER GATE FOOT WELDMENT		12.72	12.72
4	1	GBB	GATE BACKING BAR	11 1/2 in	4.53	4.53
5	2	SHCM-T	CHAIN MOUNT TIGHTENER BRACKET	3 in	1.86	3.72
6	4	G12R-15	1/2" x 15" THREADED ROD (HDG.)		0.84	3.35
6	4	G12R-12	1/2" x 12" THREADED ROD (HDG.)		0.67	2.68
7	1	G12R-6	1/2" x 6" GALV. THREADED ROD		0.33	0.33
8	4	X-UB1300	1/2" X 3" X 5" X 2" U-BOLT (HDG.)		0.67	2.68
8	4	X-UB1212	1/2" X 2-1/2" X 4-1/2" X 2" U-BOLT (HDG.)		0.60	2.39
9	4	G12112	1/2" x 1-1/2" HDG HEX BOLT GR5	1/2 in	0.15	0.59
10	16	G12FW	1/2" HDG USS FLATWASHER	3/32 in	0.03	0.55
11	22	G12LW	1/2" HDG LOCKWASHER	1/8 in	0.01	0.31
12	24	G12NUT	1/2" HDG HEAVY 2H HEX NUT		0.07	1.72
					TOTAL WT. #	118.04

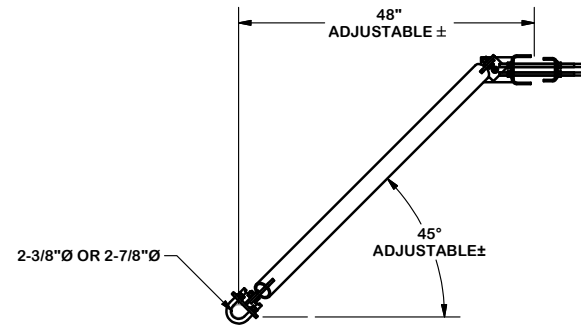
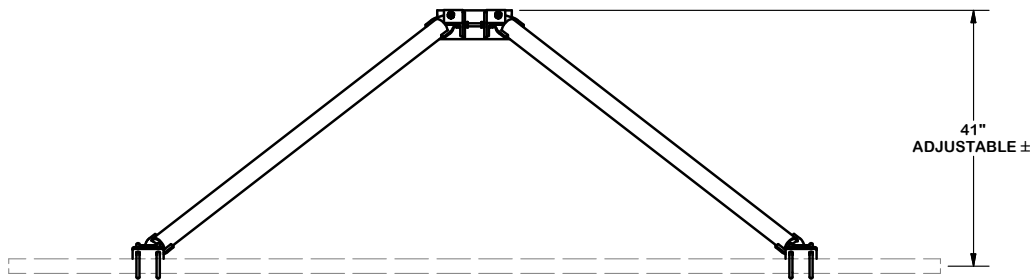
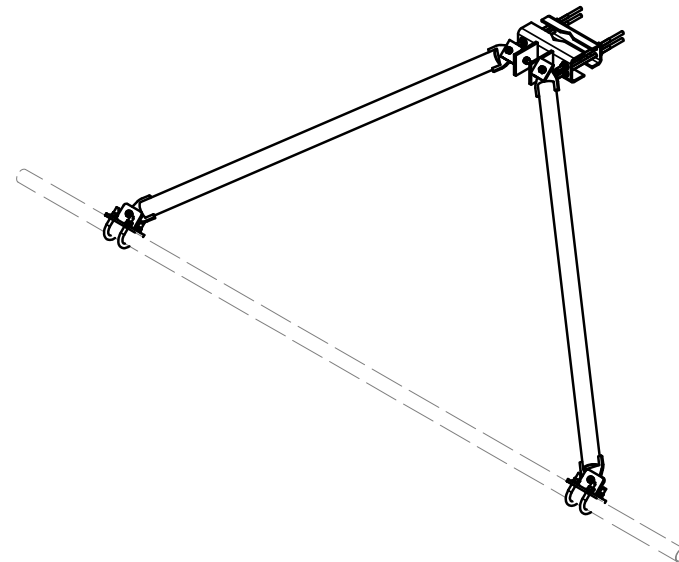
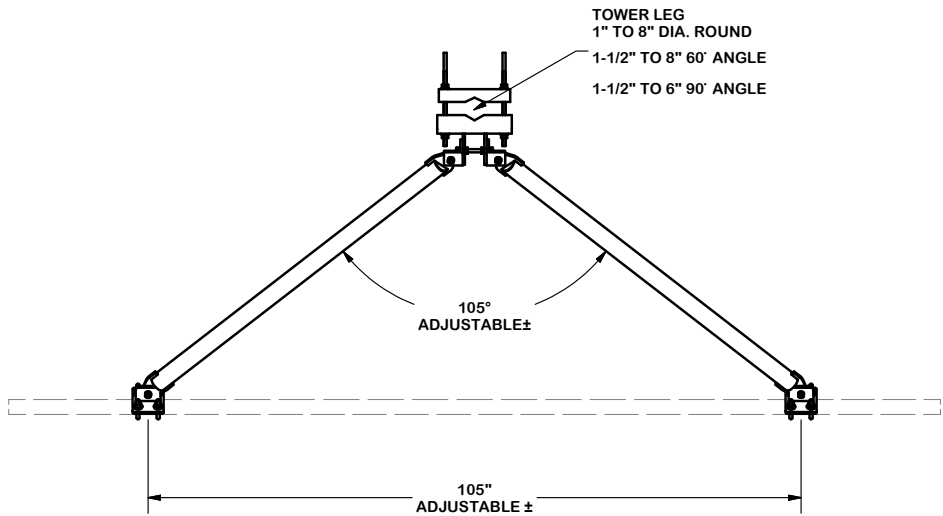


**TOLERANCE NOTES**  
 TOLERANCES ON DIMENSIONS, UNLESS OTHERWISE NOTED ARE:  
 SAWED, SHEARED AND GAS CUT EDGES ( $\pm 0.030"$ )  
 DRILLED AND GAS CUT HOLES ( $\pm 0.030"$ ) - NO CONING OF HOLES  
 LASER CUT EDGES AND HOLES ( $\pm 0.010"$ ) - NO CONING OF HOLES  
 BENDS ARE  $\pm 1/2$  DEGREE  
 ALL OTHER MACHINING ( $\pm 0.030"$ )  
 ALL OTHER ASSEMBLY ( $\pm 0.060"$ )

**PROPRIETARY NOTE:**  
 THE DATA AND TECHNIQUES CONTAINED IN THIS DRAWING ARE PROPRIETARY INFORMATION OF VALMONT INDUSTRIES AND CONSIDERED A TRADE SECRET. ANY USE OR DISCLOSURE WITHOUT THE CONSENT OF VALMONT INDUSTRIES IS STRICTLY PROHIBITED.

DESCRIPTION	
SECTOR FRAME STABILIZER LONG VERTICAL PIPE ARMS	
CPD NO. SP1	DRAWN BY CSL 8/1/2019
CLASS 87	SUB 02
DRAWING USAGE CUSTOMER	ENG. APPROVAL BMC 8/16/2019

 Engineering Support Team: 1-888-753-7446	Locations: New York, NY Atlanta, GA Los Angeles, CA Plymouth, IN Salem, OR Dallas, TX
	PART NO. <b>VSK-TV-L</b>
DWG. NO. <b>VSK-TV-L</b>	PAGE <b>1 OF 3</b>



**TOLERANCE NOTES**

TOLERANCES ON DIMENSIONS, UNLESS OTHERWISE NOTED ARE:  
 SAWED, SHEARED AND GAS CUT EDGES ( $\pm 0.030"$ )  
 DRILLED AND GAS CUT HOLES ( $\pm 0.030"$ ) - NO CONING OF HOLES  
 LASER CUT EDGES AND HOLES ( $\pm 0.010"$ ) - NO CONING OF HOLES  
 BENDS ARE  $\pm 1/2$  DEGREE  
 ALL OTHER MACHINING ( $\pm 0.030"$ )  
 ALL OTHER ASSEMBLY ( $\pm 0.060"$ )

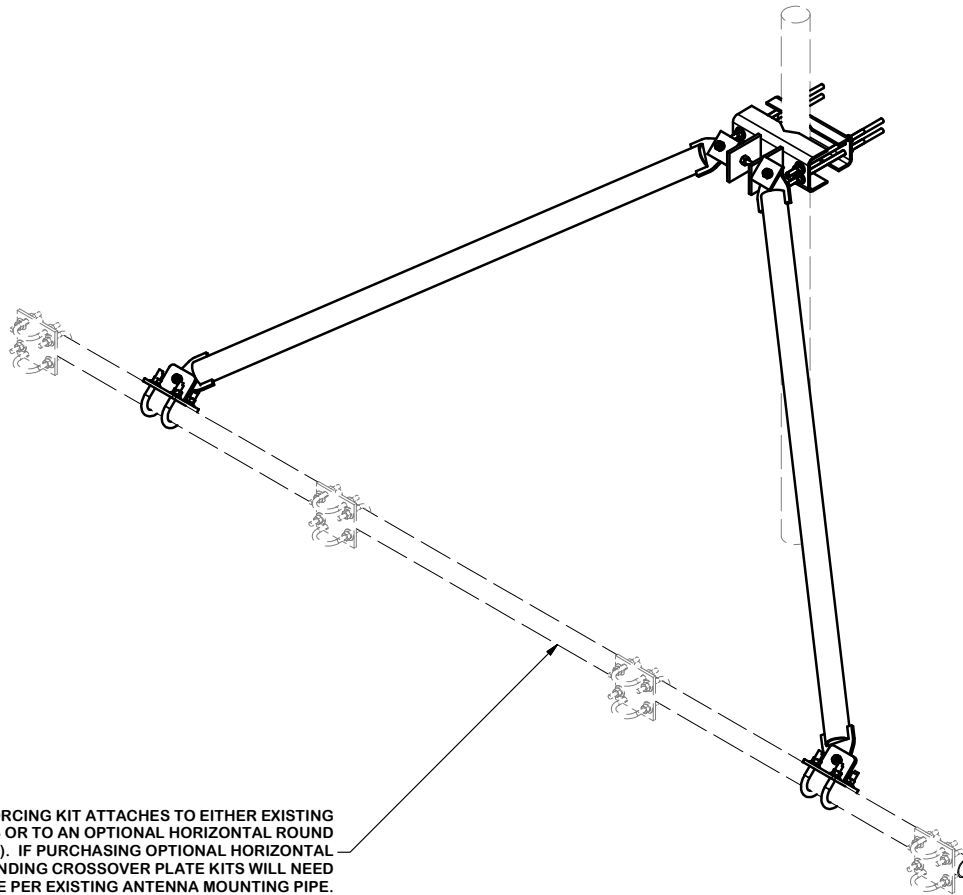
PROPRIETARY NOTE:  
 THE DATA AND TECHNIQUES CONTAINED IN THIS DRAWING ARE PROPRIETARY INFORMATION OF VALMONT INDUSTRIES AND CONSIDERED A TRADE SECRET. ANY USE OR DISCLOSURE WITHOUT THE CONSENT OF VALMONT INDUSTRIES IS STRICTLY PROHIBITED.

DESCRIPTION  
 SECTOR FRAME STABILIZER  
 LONG VERTICAL PIPE ARMS

**SITE PRO 1**  
 A valmont COMPANY  
 Engineering Support Team:  
 1-888-753-7446  
 Locations:  
 New York, NY  
 Atlanta, GA  
 Los Angeles, CA  
 Plymouth, IN  
 Salem, OR  
 Dallas, TX

CPD NO. SP1	DRAWN BY CSL	8/1/2019	ENG. APPROVAL
CLASS 87	SUB 02	DRAWING USAGE CUSTOMER	CHECKED BY BMC 8/16/2019

PART NO. VSK-TV-L	PAGE 2 OF 3
DWG. NO. VSK-TV-L	



SECTOR FRAME REINFORCING KIT ATTACHES TO EITHER EXISTING SECTOR FRAME CROSS ARMS OR TO AN OPTIONAL HORIZONTAL ROUND MEMBER (SHOWN, SOLD SEPARATELY). IF PURCHASING OPTIONAL HORIZONTAL ROUND MEMBER, CORRESPONDING CROSSOVER PLATE KITS WILL NEED TO BE PURCHASED, ONE PER EXISTING ANTENNA MOUNTING PIPE.

**TOLERANCE NOTES**

**TOLERANCES ON DIMENSIONS, UNLESS OTHERWISE NOTED ARE:  
 SAWED, SHEARED AND GAS CUT EDGES ( $\pm 0.030$ " )  
 DRILLED AND GAS CUT HOLES ( $\pm 0.030$ " ) - NO CONING OF HOLES  
 LASER CUT EDGES AND HOLES ( $\pm 0.010$ " ) - NO CONING OF HOLES  
 BENDS ARE  $\pm 1/2$  DEGREE  
 ALL OTHER MACHINING ( $\pm 0.030$ " )  
 ALL OTHER ASSEMBLY ( $\pm 0.060$ " )**

**PROPRIETARY NOTE:  
 THE DATA AND TECHNIQUES CONTAINED IN THIS DRAWING ARE PROPRIETARY INFORMATION OF VALMONT INDUSTRIES AND CONSIDERED A TRADE SECRET. ANY USE OR DISCLOSURE WITHOUT THE CONSENT OF VALMONT INDUSTRIES IS STRICTLY PROHIBITED.**

DESCRIPTION  
**SECTOR FRAME STABILIZER  
 LONG VERTICAL PIPE ARMS**

CPD NO. <b>SP1</b>	DRAWN BY <b>CSL</b>	8/1/2019	ENG. APPROVAL
CLASS <b>87</b>	SUB <b>02</b>	DRAWING USAGE <b>CUSTOMER</b>	CHECKED BY <b>BMC</b>
		8/16/2019	



Engineering  
 Support Team:  
 1-888-753-7446

Locations:  
 New York, NY  
 Atlanta, GA  
 Los Angeles, CA  
 Plymouth, IN  
 Salem, OR  
 Dallas, TX

PART NO. <b>VSK-TV-L</b>	PAGE <b>3 OF 3</b>
DWG. NO. <b>VSK-TV-L</b>	